

Manual EN

Handleiding NL

Manuel FR

Anleitung DE

Manual ES

Användarhandbok SE

Appendix

MultiPlus

12 | 3000 | 120 - 16 | 230/240V

12 | 3000 | 120 - 50 | 230/240V

24 | 3000 | 70 - 16 | 230/240V

24 | 3000 | 70 - 50 | 230/240V

48 | 3000 | 35 - 16 | 230/240V

48 | 3000 | 35 - 50 | 230/240V

Copyrights © 2007 Victron Energy B.V.
All Rights Reserved

This publication or parts thereof may not be reproduced in any form, by any method, for any purpose.

For conditions of use and permission to use this manual for publication in other than the English language, contact Victron Energy B.V.

VICTRON ENERGY B.V. MAKES NO WARRANTY, EITHER EXPRESSED OR IMPLIED, INCLUDING BUT NOT LIMITED TO ANY IMPLIED WARRANTIES OF MERCHANTABILITY OR FITNESS FOR A PARTICULAR PURPOSE, REGARDING THESE VICTRON ENERGY PRODUCTS AND MAKES SUCH VICTRON ENERGY PRODUCTS AVAILABLE SOLELY ON AN "AS IS" BASIS.

IN NO EVENT SHALL VICTRON ENERGY B.V. BE LIABLE TO ANYONE FOR SPECIAL, COLLATERAL, INCIDENTAL, OR CONSEQUENTIAL DAMAGES IN CONNECTION WITH OR ARISING OUT OF PURCHASE OR USE OF THESE VICTRON ENERGY PRODUCTS. THE SOLE AND EXCLUSIVE LIABILITY TO VICTRON ENERGY B.V., REGARDLESS OF THE FORM OF ACTION, SHALL NOT EXCEED THE PURCHASE PRICE OF THE VICTRON ENERGY PRODUCTS DESCRIBED HERE IN.

Victron Energy B.V. reserves the right to revise and improve its products as it sees fit. This publication describes the state of this product at the time of its publication and may not reflect the product at all times in the future

1. SAFETY INSTRUCTIONS

In general

Please read the documentation supplied with this product first, so that you are familiar with the safety signs and directions before using the product.

This product is designed and tested in accordance with international standards. The equipment should be used for the designated application only.

WARNING: DANGER OF ELECTRICAL SHOCK

The product is used in combination with a permanent energy source (battery). Even if the equipment is switched off, a dangerous electrical voltage can occur at the input and/or output terminals. Always switch the AC power off and disconnect the battery before performing maintenance.

The product contains no internal user-serviceable parts. Do not remove the front panel and do not put the product into operation unless all panels are fitted. All maintenance should be performed by qualified personnel.

Never use the product at sites where gas or dust explosions could occur. Refer to the specifications provided by the manufacturer of the battery to ensure that the battery is suitable for use with this product. The battery manufacturer's safety instructions should always be observed.

WARNING: do not lift heavy objects unassisted.

Installation

Read the installation instructions before commencing installation activities.

This product is a safety class I device (supplied with a ground terminal for safety purposes). **Its AC input and/or output terminals must be provided with uninterruptible grounding for safety purposes. An additional grounding point is located on the outside of the product.** If it can be assumed that the grounding protection is damaged, the product should be taken out of operation and prevented from accidentally being put into operation again; contact qualified maintenance personnel.

Ensure that the connection cables are provided with fuses and circuit breakers. Never replace a protective device by a component of a different type. Refer to the manual for the correct part.

Check before switching the device on whether the available voltage source conforms to the configuration settings of the product as described in the manual.

Ensure that the equipment is used under the correct operating conditions. Never operate it in a wet or dusty environment. Ensure that there is always sufficient free space around the product for ventilation, and that ventilation openings are not blocked. Install the product in a heatproof environment. Ensure therefore that there are no chemicals, plastic parts, curtains or other textiles, etc. in the immediate vicinity of the equipment.

Transport and storage

On storage or transport of the product, ensure that the mains supply and battery leads are disconnected.

No liability can be accepted for damage in transit if the equipment is not transported in its original packaging.

Store the product in a dry environment; the storage temperature should range from -20°C to 60°C .

Refer to the battery manufacturer's manual for information on transport, storage, charging, recharging and disposal of the battery.

2. DESCRIPTION

2.1 In general

The basis of the MultiPlus is an extremely powerful sine inverter, battery charger and automatic switch in a compact casing. The MultiPlus features the following additional, often unique characteristics:

Automatic and uninterruptible switching

In the event of a supply failure or when the generating set is switched off, the MultiPlus will switch over to inverter operation and take over the supply of the connected devices. This is done so quickly that operation of computers and other electronic devices is not disturbed (Uninterruptible Power Supply or UPS functionality). This makes the MultiPlus highly suitable as an emergency power system in industrial and telecommunication applications. The maximum alternating current that can be switched is 16A or 50A, depending on model.

Auxiliary AC output

Besides the usual uninterruptible output, an auxiliary output is available that disconnects its load in the event of battery operation. Example: an electric boiler that is allowed to operate only if the genset is running or shore power is available.

Virtually unlimited power thanks to parallel operation

Up to 6 Multi's can operate in parallel. Six units 24/3000/70, for example, will provide 15kW / 18kVA output power and 420 Amps charging capacity.

Three phase capability

Three units can be configured for three-phase output. But that's not all: up to 6 sets of three units can be parallel connected to provide 45kW / 54kVA inverter power and more than 1000A charging capacity.

PowerControl – maximum use of limited shore current

The MultiPlus can supply a huge charging current. This implies heavy loading of the shore connection or generator set. Therefore a maximum current can be set. The MultiPlus then takes other power users into account, and only uses 'surplus' current for charging purposes.

PowerAssist – Extended use of your generator and shore current: the MultiPlus “co-supply” feature

This feature takes the principle of PowerControl to a further dimension allowing the MultiPlus to supplement the capacity of the alternative source. Where peak power is so often required only for a limited period, the MultiPlus will make sure that insufficient shore or generator power is immediately compensated for by power from the battery. When the load reduces, the spare power is used to recharge the battery.

This unique feature offers a definitive solution for the ‘shore current problem’: high power electric tools, dish washers, washing machines, electric cooking etc. can all run on 16A shore current, or even less. In addition, a smaller generator can be installed.

Solar energy

The MultiPlus is extremely suitable for solar energy applications. It can be used in autonomous systems as well as grid connected systems.

Autonomous operation when the grid fails

Houses or buildings with solar panels or a combined micro-scale heating and power plant or other sustainable energy sources have a potential autonomous energy supply which can be used for powering essential equipment (central heating pumps, refrigerators, deep freeze units, Internet connections, etc.) during a power failure. A problem is however that grid connected sustainable energy sources drop out as soon as the grid fails. With a MultiPlus and batteries, this problem can be solved in a simple manner: **the MultiPlus can replace the grid during a power failure**. When the sustainable energy sources produce more power than needed, the MultiPlus will use the surplus to charge the batteries; in the event of a shortfall, the MultiPlus will supply additional power from the battery.

Programmable relay

The MultiPlus is equipped with a programmable relay that by default is set as an alarm relay. The relay can be programmed for all kinds of other applications however, for example as a starter relay for a generator.

Programmable with DIP switches, VE.Net panel or personal computer

The MultiPlus is supplied ready for use. Three features are available for changing certain settings if desired:

- The most important settings (including parallel operation of up to three devices and 3-phase operation) can be changed in a very simple manner, using DIP switches.
- All settings, with exception of the multi-functional relay, can be changed with a VE.Net panel.
- All settings can be changed with a PC and free of charge software, downloadable from our website www.victronenergy.com

2.2 Battery charger

Adaptive 4-stage charging characteristics: bulk – absorption – float – storage

The microprocessor-driven adaptive battery management system can be adjusted for various types of batteries. The adaptive function automatically adapts the charging process to battery use.

The right amount of charge: variable absorption time

In the event of slight battery discharge, absorption is kept short to prevent overcharging and excessive gas formation. After deep discharging, the absorption time is automatically extended in order to fully charge the battery.

Preventing damage due to excessive gassing: the BatterySafe mode

If, in order to quickly charge a battery, a high charge current in combination with a high absorption voltage has been chosen, damage due to excessive gassing will be prevented by automatically limiting the rate of voltage increase once the gassing voltage has been reached.

Less maintenance and aging when the battery is not in use: the Storage mode

The Storage mode kicks in whenever the battery has not been subjected to discharge during 24 hours. In the Storage mode float voltage is reduced to 2,2V/cell (13,2V for 12V battery) to minimise gassing and corrosion of the positive plates. Once a week the voltage is raised back to the absorption level to 'equalize' the battery. This feature prevents stratification of the electrolyte and sulphation, a major cause of early battery failure.

Two DC outputs for charging two batteries

The main DC terminal can supply the full output current. The second output, intended for charging a starter battery, is limited to 4A and has a slightly lower output voltage.

Increasing service life of the battery: temperature compensation

The temperature sensor (supplied with the product) serves to reduce charging voltage when battery temperature rises. This is particularly important for maintenance-free batteries, which could otherwise dry out by overcharging.

Battery voltage sense: the correct charge voltage

Voltage loss due to cable resistance can be compensated by using the voltage sense facility to measure voltage directly on the DC bus or on the battery terminals.

More on batteries and charging

Our book 'Energy Unlimited' offers further information on batteries and battery charging, and is available free of charge on our website (see www.victronenergy.com -> Support & Downloads' -> General Technical Information). For more information on adaptive charging, please also refer to the General Technical Information our website.

3. OPERATION

3.1 On/Off/Charger Only Switch

When switched to "on", the product is fully functional. The inverter will come into operation and the LED "inverter on" will light up.

An AC voltage connected to the "AC in" terminal will be switched through to the "AC out" terminal, if within specifications. The inverter will switch off, the "mains on" LED will light up and the charger commences charging. The "bulk", "absorption" or "float" LEDs will light up, depending on the charger mode.

If the voltage at the "AC-in" terminal is rejected, the inverter will switch on.

When the switch is switched to "charger only", only the battery charger of the Multi will operate (if mains voltage is present). In this mode input voltage also is switched through to the "AC out" terminal.

NOTE: When only the charger function is required, ensure that the switch is switched to "charger only". This prevents the inverter from being switched on if the mains voltage is lost, thus preventing your batteries from running flat.

3.2 Remote control

Remote control is possible with a 3-way switch or with a Multi Control panel.

The Multi Control panel has a simple rotary knob with which the maximum current of the AC input can be set: see PowerControl and PowerAssist in Section 2.

3.3 Equalisation and forced absorption

3.3.1 Equalisation

Traction batteries require regular additional charging. In the equalisation mode, the MultiPlus will charge with increased voltage for one hour (1V above the absorption voltage for a 12V battery, 2V for a 24V battery). The charging current is then limited to 1/4 of the set value. **The "bulk" and "absorption" LEDs flash intermittently.**



Equalisation mode supplies a higher charging voltage than most DC consuming devices can cope with. These devices must be disconnected before additional charging takes place.

3.3.2 Forced absorption

Under certain circumstances, it can be desirable to charge the battery for a fixed time at absorption voltage level. In Forced Absorption mode, the MultiPlus will charge at the normal absorption voltage level during the set maximum absorption time. **The "absorption" LED lights.**

3.3.3 Activating equalisation or forced absorption

The MultiPlus can be put into both these states from the remote panel as well as with the front panel switch, provided that all switches (front, remote and panel) are set to "on" and no switches are set to "charger only".

In order to put the MultiPlus in this state, the procedure below should be followed.

If the switch is not in the required position after following this procedure, it can be switched over quickly once. This will not change the charging state.

NOTE: Switching from "on" to "charger only" and back, as described below, must be done quickly. The switch must be toggled such that the intermediate position is 'skipped', as it were. If the switch remains in the "off" position even for a short time, the device may be turned off. In that case, the procedure must be restarted at step 1. A certain degree of familiarisation is required when using the front switch on the Compact in particular. When using the remote panel, this is less critical.

Procedure:

1. Check whether all switches (i.e. front switch, remote switch or remote panel switch if present) are in the "on" position.
2. Activating equalisation or forced absorption is only meaningful if the normal charging cycle is completed (charger is in 'Float').
3. To activate:
 - a. Switch rapidly from "on" to "charger only" and leave the switch in this position for ½ to 2 seconds.
 - b. Switch rapidly back from "charger only" to "on" and leave the switch in this position for ½ to 2 seconds.
 - c. Switch once more rapidly from "on" to "charger only" and leave the switch in this position.
4. On the MultiPlus (and, if connected, on the MultiControl panel) the three LEDs "Bulk", "Absorption" and "Float" will now flash 5 times.
5. Subsequently, the LEDs "Bulk", "Absorption" and "Float" will each light during 2 seconds.
 - a. If the switch is set to "on" while the "Bulk" LED lights, the charger will switch to equalisation.
 - b. If the switch is set to "on" while the "Absorption" LED lights, the charger will switch to forced absorption.
 - c. If the switch is set to "on" after the three LED sequence has finished, the charger will switch to "Float".
 - d. If the switch is has not been moved, the MultiPlus will remain in 'charger only' mode and switch to "Float".

3.4 LED Indications

- LED off
- ☀ LED flashes
- LED illuminated

Inverter

Charger		inverter	
<input type="radio"/> mains on	on	<input checked="" type="radio"/> inverter on	
<input type="radio"/> Bulk	off	<input type="radio"/> overload	
<input type="radio"/> Absorption	charger only	<input type="radio"/> low battery	
<input type="radio"/> Float		<input type="radio"/> temperature	

The inverter is on and supplies power to the load.

Charger		inverter	
<input type="radio"/> mains on	on	<input checked="" type="radio"/> inverter on	
<input type="radio"/> Bulk	off	☀ overload	
<input type="radio"/> absorption	charger only	<input type="radio"/> low battery	
<input type="radio"/> Float		<input type="radio"/> temperature	

The nominal output of the inverter is exceeded. The "overload" LED flashes

Charger		inverter	
<input type="radio"/> mains on	on	<input type="radio"/> inverter on	
<input type="radio"/> Bulk	off	<input checked="" type="radio"/> overload	
<input type="radio"/> absorption	charger only	<input type="radio"/> low battery	
<input type="radio"/> Float		<input type="radio"/> temperature	

The inverter is switched off due to overload or short circuit.

Charger		inverter	
<input type="radio"/> mains on	on	<input checked="" type="radio"/> inverter on	
<input type="radio"/> Bulk	off	<input type="radio"/> overload	
<input type="radio"/> absorption	charger only	☀ low battery	
<input type="radio"/> Float		<input type="radio"/> temperature	


The battery is almost fully exhausted.

Charger		inverter	
<input type="radio"/> mains on	on	<input type="radio"/> inverter on	
<input type="radio"/> Bulk	off	<input type="radio"/> overload	
<input type="radio"/> absorption	charger only	<input checked="" type="radio"/> low battery	
<input type="radio"/> Float		<input type="radio"/> temperature	


The inverter has switched off due to low battery voltage.

Charger		inverter	
<input type="radio"/> mains on	on	<input checked="" type="radio"/> inverter on	
<input type="radio"/> Bulk	off	<input type="radio"/> overload	
<input type="radio"/> absorption	charger only	<input type="radio"/> low battery	
<input type="radio"/> Float		☀ temperature	


The internal temperature is reaching a critical level.

Charger		inverter	
<input type="radio"/> mains on	on	<input type="radio"/> inverter on	
<input type="radio"/> Bulk	 off	<input type="radio"/> overload	
<input type="radio"/> absorption		<input type="radio"/> low battery	
<input type="radio"/> Float	charger only	<input checked="" type="radio"/> temperature	

The inverter has switched off due to the electronics temperature being too high.


Charger		inverter	
<input type="radio"/> mains on	on	<input checked="" type="radio"/> inverter on	
<input type="radio"/> Bulk	 off	<input checked="" type="radio"/> overload	
<input type="radio"/> absorption		<input checked="" type="radio"/> low battery	
<input type="radio"/> Float	charger only	<input type="radio"/> temperature	

-If the LEDs are flashing alternately, the battery is nearly exhausted and the nominal output is exceeded.
-If "overload" and "low battery" flash simultaneously, the ripple voltage on the battery terminals is too high.


Charger		inverter	
<input type="radio"/> mains on	on	<input type="radio"/> inverter on	
<input type="radio"/> Bulk	 off	<input checked="" type="radio"/> overload	
<input type="radio"/> absorption		<input checked="" type="radio"/> low battery	
<input type="radio"/> Float	charger only	<input type="radio"/> temperature	

The inverter switched off due to excess ripple voltage on the battery terminals.


Battery Charger

Charger		inverter	
<input checked="" type="radio"/> mains on	on	<input type="radio"/> inverter on	
<input checked="" type="radio"/> Bulk	 off	<input type="radio"/> overload	
<input type="radio"/> absorption		<input type="radio"/> low battery	
<input type="radio"/> Float	charger only	<input type="radio"/> temperature	


The AC input voltage is switched through and the charger operates in bulk mode.

Charger		inverter	
<input checked="" type="radio"/> mains on	on	<input type="radio"/> inverter on	
<input checked="" type="radio"/> Bulk	 off	<input type="radio"/> overload	
<input checked="" type="radio"/> absorption		<input type="radio"/> low battery	
<input type="radio"/> Float	charger only	<input type="radio"/> temperature	


The mains voltage is switched through and the charger is on. The set absorption voltage, however, has not yet been reached. (BatterySafe mode)

Charger		inverter	
<input checked="" type="radio"/> mains on	on	<input type="radio"/> inverter on	
<input type="radio"/> Bulk	 off	<input type="radio"/> overload	
<input checked="" type="radio"/> absorption		<input type="radio"/> low battery	
<input type="radio"/> Float	charger only	<input type="radio"/> temperature	

The mains voltage is switched through and the charger operates in absorption mode.

Charger		inverter	
<input checked="" type="radio"/> mains on	on	<input type="radio"/> inverter on	
<input type="radio"/> Bulk	 off	<input type="radio"/> overload	
<input type="radio"/> absorption		<input type="radio"/> low battery	
<input checked="" type="radio"/> Float	charger only	<input type="radio"/> temperature	

The mains voltage is switched through and the charger operates in float mode.

Charger		inverter	
<input checked="" type="radio"/> mains on	on	<input type="radio"/> inverter on	
<input checked="" type="radio"/> Bulk	 off	<input type="radio"/> overload	
<input checked="" type="radio"/> absorption		<input type="radio"/> low battery	
<input type="radio"/> Float	charger only	<input type="radio"/> temperature	

The mains voltage is switched through and the charger operates in equalize mode.


Special Indications

PowerControl

charger		inverter	
<input checked="" type="radio"/> mains on	on	<input type="radio"/> inverter on	
<input type="radio"/> bulk	 off	<input type="radio"/> overload	
<input type="radio"/> absorption		<input type="radio"/> low battery	
<input type="radio"/> float	charger only	<input type="radio"/> temperature	

The AC input is switched through. The AC output current is equal to the preset maximum input current. The charge current is reduced to 0.

Power Assist

charger		inverter	
<input checked="" type="radio"/> mains on	on	<input checked="" type="radio"/> inverter on	
<input type="radio"/> bulk	 off	<input type="radio"/> overload	
<input type="radio"/> absorption		<input type="radio"/> low battery	
<input type="radio"/> float	charger only	<input type="radio"/> temperature	

The AC input is switched through but the load requires more current than the preset maximum input current. The inverter is switched on to supply the required additional current.

For more error codes see section 7.3

4. Installation



This product may only be installed by a qualified electrical engineer.

4.1 Location

The product must be installed in a dry and well-ventilated area, as close as possible to the batteries. There should be a clear space of at least 10 cm around the appliance for cooling.



Excessively high ambient temperature will result in the following:

- Reduced service life.
- Reduced charging current.
- Reduced peak capacity, or shutdown of the inverter.
- Never position the appliance directly above the batteries.

The MultiPlus is suitable for wall mounting. For mounting purposes, a hook and two holes are provided at the back of the casing (see appendix G). The device can be fitted either horizontally or vertically. For optimal cooling, vertical fitting is preferred.



The interior of the product must remain accessible after installation.

Try and keep the distance between the product and the battery to a minimum in order to minimize cable voltage losses.



For safety purposes, this product should be installed in a heat-resistant environment. You should prevent the presence of e.g. chemicals, synthetic components, curtains or other textiles, etc., in the immediate vicinity.

4.2 Connection of battery cables

In order to utilize the full capacity of the product, batteries with sufficient capacity and battery cables with sufficient cross section should be used. See table.

	12/3000/120	24/3000/70	48/3000/35
Recommended battery capacity (Ah)	400–1200	200–700	100–400
Recommended DC fuse	400A	300A	125A
Recommended cross section (mm ²) per + and - connection terminal			
0 – 5 m	2x 50 mm ²	50 mm ²	35 mm ²
5 – 10 m	2x 70 mm ²	2x 50 mm ²	2x 35 mm ²

* '2x' means two positive and two negative cables.

Remark: Internal resistance is the important factor when working with low capacity batteries. Please consult your supplier or the relevant sections of our book "Energy Unlimited", downloadable from our website.

Procedure

Proceed as follows to connect the battery cables:



Use an insulated box spanner in order to avoid shorting the battery. Avoid shorting the battery cables.

- Undo the four screws at the front of the enclosure and remove the front panel.
- Connect the battery cables: see Appendix A.
- Tighten the nuts well for minimal contact resistance.

4.3 Connection of the AC cabling

The MultiPlus is a safety class I product (supplied with a ground terminal for safety purposes). **Its AC input and/or output terminals and/or grounding point on the outside of the product must be provided with an uninterruptible grounding point for safety purposes.**

The MultiPlus is provided with a ground relay (relay H, see appendix B) that **automatically connects the Neutral output to the chassis if no external AC supply is available.** If an external AC supply is provided, the ground relay H will open before the input safety relay closes. This ensures the correct operation of an earth leakage circuit breaker that is connected to the output.



- In a fixed installation, an uninterruptible grounding can be secured by means of the grounding wire of the AC input. Otherwise the casing must be grounded.
- In a mobile installation (for example, with a shore current plug), interrupting the shore connection will simultaneously disconnect the grounding connection. In that case, the casing must be connected to the chassis (of the vehicle) or to the hull or grounding plate (of the boat).

In case of a boat, direct connection to the shore ground is not recommended because of potential galvanic corrosion. The solution to this is using an isolation transformer.

The terminal blocks can be found on the printed circuit board, see Appendix A. The shore or mains cable must be connected to the Multi with the aid of a three-wire cable.

4.3.1 Models with 16A transfer capacity (eg MultiPlus 12/3000/120-**16** 230V)

- **AC-in**

The AC input cable can be connected to the terminal block "AC-in".

From left to right: "PE" (earth), "L" (phase) and "N" (neutral).

The AC input must be protected by a fuse or magnetic circuit breaker rated at 16A or less, and cable cross-section must be sized accordingly. If the input AC supply is rated at a lower value, the fuse or magnetic circuit breaker should be down sized accordingly.

- **AC-out-1**

The AC output cable can be connected directly to the terminal block "AC-out-1".

From left to right: "L" (phase) "N" (neutral) and "PE" (earth).

With its PowerAssist feature the Multi can add up to 3kVA (that is $3000 / 230 = 13A$) to the output during periods of peak power requirement. Together with a maximum input current of 16A this means that the output can supply up to $16 + 13 = 29A$.

An earth leakage circuit breaker and a fuse or circuit breaker rated to support the expected load must be included in series with the output, and cable cross-section must be sized accordingly. The maximum rating of the fuse or circuit breaker is 32A.

- **AC-out-2**

A second output is available that disconnects its load in the event of battery operation. On these terminals, equipment is connected that may only operate if AC voltage is available on AC-in-1 or AC-in-2, e.g. an electric boiler or an air conditioner. The load on AC-out-2 is disconnected immediately when the Multi switches to battery operation. After AC power becomes available on AC-in-1 or AC-in-2, the load on AC-out-2 will be reconnected with a delay of approximately 2 minutes. This to allow a genset to stabilise. AC-out-2 can support loads of up to 16A. An earth leakage circuit breaker and fuse rated at max. 16A must be connected in series with AC-out-2.

Note: Loads connected to AC-out-2 will be taken into account in the PowerControl / PowerAssist current limit setting. Loads directly connected to the AC supply will **not** be included in the PowerControl / PowerAssist current limit setting.

4.3.2 Models with 50A transfer capacity (eg MultiPlus 12/3000/120-**50** 230V)

- **AC-in**

The AC input cable can be connected to the terminal block "AC-in".

From left to right: "L" (phase) "N" (neutral) and "PE" (earth).

The AC input must be protected by a fuse or magnetic circuit breaker rated at 50A or less, and cable cross-section must be sized accordingly. If the input AC supply is rated at a lower value, the fuse or magnetic circuit breaker should be down sized accordingly.

- **AC-out-1**

The AC output cable can be connected directly to the terminal block "AC-out".

From left to right: "L" (phase) "N" (neutral) and "PE" (earth).

With its PowerAssist feature the Multi can add up to 3kVA (that is $3000 / 230 = 13A$) to the output during periods of peak power requirement. Together with a maximum input current of 50A this means that the output can supply up to $50 + 13 = 63A$.

An earth leakage circuit breaker and a fuse or circuit breaker rated to support the expected load must be included in series with the output, and cable cross-section must be sized accordingly. The maximum rating of the fuse or circuit breaker is 63A.

- **AC-out-2**

See section 4.3.1.



4.4 Optional Connections

A number of optional connections are possible:

4.4.1 Second Battery

The MultiPlus has a connection for charging a starter battery. For connection see Appendix A.

4.4.2 Voltage Sense

For compensating possible cable losses during charging, two sense wires can be connected with which the voltage directly on the battery or on the positive and negative distribution points can be measured. Use wire with a cross-section of 0,75mm². During battery charging, the MultiPlus will compensate the voltage drop over the DC cables up to a maximum of 1 Volt (i.e. 1V over the positive connection and 1V over the negative connection). If the voltage drop threatens to become larger than 1V, the charging current is limited in such a way that the voltage drop remains limited to 1V.

4.4.3 Temperature Sensor

The temperature sensor supplied with the product may be used for temperature-compensated charging (see Appendix A). The sensor is isolated and must be mounted on the batteries minus pole.

4.4.4 Remote Control

The product can be remotely controlled in two ways.

- With an external switch (connection terminal H, see appendix A). Operates only if the switch on the MultiPlus is set to "on".
- With a Multi Control panel (connected to one of the two RJ48 sockets B, see appendix A). Operates only if the switch on the MultiPlus is set to "on".

Only one remote control can be connected, i.e. either a switch or a Multi control panel.

4.4.5. Programmable relay

The MultiPlus is equipped with a programmable relay that by default is set as an alarm relay (connection terminal I, see appendix A). The relay can be programmed for all kinds of other applications however, for example to start a generator (VEConfigure software needed).

4.4.6 Auxiliary AC output (AC-out-2)

Besides the usual uninterruptable output, a second output (AC-out-2) is available that disconnects its load in the event of battery operation. Example: an electric boiler or air conditioner that is allowed to operate only if the genset is running or shore power is available.

In case of battery operation, AC-out-2 is switched off immediately. After the AC supply has become available, AC-out-2 is reconnected with a delay of 2 minutes, this to allow a genset to stabilise prior to connecting a heavy load.

4.4.7 Parallel Connection

The MultiPlus can be connected in parallel with several identical devices. To this end, a connection is established between the devices by means of standard RJ45 UTP cables. The **system** (one or more Multi's plus optional control panel) will require subsequent configuration (see Section 5).

In the event of connecting MultiPlus units in parallel, the following requirements must be met:

- A maximum of six units connected in parallel.
- Only identical devices may be connected in parallel.
- The DC connection cables to the devices must be of equal length and cross-section.
- If a positive and a negative DC distribution point is used, the cross-section of the connection between the batteries and the DC distribution point must at least equal the sum of the required cross-sections of the connections between the distribution point and the MultiPlus units.
- Place the MultiPlus units close to each other, but allow at least 10 cm for ventilation purposes under, above and beside the units.
- UTP cables must be connected directly from one unit to the other (and to the remote panel). Connection/splitter boxes are not permitted.
- A battery-temperature sensor need only be connected to one unit in the system. If the temperature of several batteries is to be measured, you can also connect the sensors of other MultiPlus units in the system (with a maximum of one sensor per MultiPlus). Temperature compensation during battery charging responds to the sensor indicating the highest temperature.
- Voltage sensing must be connected to the master (see Section 5.5.1.4).
- Only one remote control means (panel or switch) can be connected to the **system**.

4.4.8 Three-phase operation

The MultiPlus can also be used in 3-phase configuration. To this end, a connection between the devices is made by means of standard RJ45 UTP cables (the same as for parallel operation). The **system** (Multi's plus an optional control panel) will require subsequently configuration (see Section 5).

Pre-requisites: see Section 4.4.7.

5. Configuration



- Settings may only be changed by a qualified electrical engineer.
- Read the instructions thoroughly before implementing changes.
- During setting of the charger, the AC input must be removed.

5.1 Standard settings: ready for use

On delivery, the MultiPlus is set to standard factory values. In general, these settings are suitable for single-unit operation.

Warning: Possibly, the standard battery charging voltage is not suitable for your batteries! Refer to the manufacturer's documentation, or to your battery supplier!

Standard MultiPlus factory settings

Inverter frequency	50 Hz
Input frequency range	45 - 65 Hz
Input voltage range	180 - 265 VAC
Inverter voltage	230 VAC
Stand-alone / parallel / 3-phase	stand-alone
AES (Automatic Economy Switch)	off
Ground relay	on
Charger on/ off	on
Battery charge curve	four-stage adaptive with BatterySafe mode
Charging current	75% of the maximum charging current
Battery type	Victron Gel Deep Discharge (also suitable for Victron AGM Deep Discharge)
Automatic equalisation charging	off
Absorption voltage	14.4 / 28.8 / 57.6 V
Absorption time	up to 8 hours (depending on bulk time)
Float voltage	13.8 / 27.6 / 55.2 V
Storage voltage	13.2 / 26.4 / 52.8V (not adjustable)
Repeated absorption time	1 hour
Absorption repeat interval	7 days
Bulk protection	on
AC input current limit	50A or 16A depending on model (= adjustable current limit for PowerControl and PowerAssist functions)
UPS feature	on
Dynamic current limiter	off
WeakAC	off
BoostFactor	2
Programmable relay	alarm function
Auxiliary output	16A
PowerAssist	on

5.2 Explanation of settings

Settings that are not self-explanatory are described briefly below. For further information, please refer to the help files in the software configuration programs (see Section 5.3).

Inverter frequency

Output frequency if no AC is present at the input.
Adjustability: 50Hz; 60Hz

Input frequency range

Input frequency range accepted by the MultiPlus. The MultiPlus synchronises within this range with the AC input frequency. The output frequency is then equal to the input frequency.
Adjustability: 45 – 65 Hz; 45 – 55 Hz; 55 – 65 Hz

Input voltage range

Voltage range accepted by the MultiPlus. The MultiPlus synchronises within this range with the AC input voltage. The output voltage is then equal to the input voltage.
Adjustability: Lower limit: 180 - 230V
Upper limit: 230 - 270V

Note: the standard lower limit setting of 180V is intended for connection to a weak mains supply, or to a generator with unstable AC output. This setting may result in a system shut down when connected to a 'brushless, self excited, externally voltage regulated, synchronous AC generator' (synchronous AVR generator). Most generators rated at 10kVA or more are synchronous AVR generators. The shut down is initiated when the generator is stopped and revs down while the AVR simultaneously 'tries' to keep the output voltage of the generator at 230V.
The solution is to increase the lower limit setting to 210VAC (the output of AVR generators is generally very stable), or to disconnect the Multi(s) from the generator when a generator stop signal is given (with help of an AC contactor installed in series with the generator).

Inverter voltage

Output voltage of the MultiPlus in battery operation.
Adjustability: 210 – 245V

Stand-alone / parallel operation / 2-3 phase setting

Using several devices, it is possible to:

- increase total inverter power (several devices in parallel)
- create a split-phase system by stacking (only for MultiPlus units with 120V output voltage)
- create a split-phase system with a separate autotransformer: see VE autotransformer datasheet and manual
- create a 3-phase system.

The standard product settings are for standalone operation. For parallel, three phase or split phase operation see sections 5.3 / 5.4 and 5.5.

AES (Automatic Economy Switch)

If this setting is turned 'on', the power consumption in no-load operation and with low loads is decreased by approx. 20%, by slightly 'narrowing' the sinusoidal voltage. Applicable in stand-alone configuration only.

Search Mode

Instead of the AES mode, the **search mode** can also be chosen (with help of VEConfigure only).

If search mode is 'on', the power consumption in no-load operation is decreased by approx. 70%. In this mode the MultiPlus, when operating in inverter mode, is switched off in case of no load or very low load, and switches on every two seconds for a short period. If the output current exceeds a set level, the inverter will continue to operate. If not, the inverter will shut down again.

The Search Mode "shut down" and "remain on" load levels can be set with VEConfigure.

The standard settings are:

Shut down: 40 Watt (linear load)

Turn on: 100 Watt (linear load)

Not adjustable with DIP switches. Applicable in stand-alone configuration only.

Ground relay (see appendix B)

With this relay, the neutral conductor of the AC output is grounded to the chassis when the back feed safety relay is open. This ensures the correct operation of earth leakage circuit breakers in the output.

- If a non-grounded output is required during inverter operation, this function must be turned off, see appendix A. Not adjustable with DIP switches.
- Models with 50A transfer capacity only: if required an external ground relay can be connected (for a split-phase system with a separate autotransformer). See appendix A.

Battery charge curve

The standard setting is 'Four-stage adaptive with BatterySafe mode'. See Section 2 for a description.

This is the best charging characteristic. See the help files in the software configuration programs for other features.

'Fixed' mode can be selected with DIP switches.

Battery type

The standard setting is the most suitable for Victron Gel Deep Discharge, Gel Exide A200, and tubular plate stationary batteries (OPzS). This setting can also be used for many other batteries: e.g. Victron AGM Deep Discharge and other AGM batteries, and many types of flat-plate open batteries. Four charging voltages can be set with DIP switches.

With VEConfigure the charge curve can be adjusted to charge any battery type (Nickel Cadmium batteries, Lithium-ion batteries)

Absorption time

The absorption time depends on the bulk time (adaptive charge curve), so that the battery is optimally charged. If the 'fixed' charging characteristic is selected, the absorption time is fixed. For most batteries, a maximum absorption time of eight hours is suitable. If an extra high absorption voltage is selected for rapid charging (only possible for open, flooded batteries!), four hours is preferable. With DIP switches, a time of eight or four hours can be set. For the adaptive charge curve, this determines the maximum absorption time.

Automatic equalisation charging

This setting is intended for flooded tubular plate traction or OPzS batteries. During absorption the voltage limit increases to 2,83V/cell (34V for a 24V battery) once the charge current has tapered down to less than 10% of the set maximum current.

Not adjustable with DIP switches.

See 'tubular plate traction battery charge curve' in VEConfigure.

Storage voltage, Repeated Absorption Time, Absorption Repeat Interval

See Section 2. Not adjustable with DIP switches.

Bulk Protection

When this setting is 'on', the bulk charging time is limited to 10 hours. A longer charging time could indicate a system error (e.g. a battery cell short-circuit). Not adjustable with DIP switches.

AC input current limit

These are the current limit settings for which PowerControl and PowerAssist come into operation.

PowerAssist setting range:

- From 2,3A to 16A for models with 16A transfer capacity
- From 5,3 A to 50A for models with 50A transfer capacity

Factory setting: the maximum value (16A or 50A).

See Section 2, the book 'Energy Unlimited', or the many descriptions of this unique feature on our website www.victronenergy.com.

UPS feature

If this setting is 'on' and AC on the input fails, the MultiPlus switches to inverter operation practically without interruption. The MultiPlus can therefore be used as an Uninterruptible Power Supply (UPS) for sensitive equipment such as computers or communication systems.

The output voltage of some small generator sets is too unstable and distorted for using this setting – the MultiPlus would continually switch to inverter operation. For this reason, the setting can be turned off. The MultiPlus will then respond less quickly to AC input voltage deviations. The switchover time to inverter operation is consequently slightly longer, but most equipment (most computers, clocks or household equipment) is not adversely impacted.

Recommendation: Turn the UPS feature off if the MultiPlus fails to synchronise, or continually switches back to inverter operation.

Dynamic current limiter

Intended for generators, the AC voltage being generated by means of a static inverter (so-called 'inverter' generators). In these generators, rpm is down-controlled if the load is low: this reduces noise, fuel consumption and pollution. A disadvantage is that the output voltage will drop severely or even completely fail in the event of a sudden load increase. More load can only be supplied after the engine is up to speed.

If this setting is 'on', the MultiPlus will start supplying extra power at a low generator output level and gradually allow the generator to supply more, until the set current limit is reached. This allows the generator engine to get up to speed.

This setting is also often used for 'classical' generators that respond slowly to sudden load variation.

WeakAC

Strong distortion of the input voltage can result in the charger hardly operating or not operating at all. If WeakAC is set, the charger will also accept a strongly distorted voltage, at the cost of greater distortion of the input current.

Recommendation: Turn WeakAC on if the charger is hardly charging or not charging at all (which is quite rare!). Also turn on the dynamic current limiter simultaneously, and reduce the maximum charging current to prevent overloading the generator if necessary.

Note: when WeakAC is on, the maximum charge current is reduced by approximately 20%.

Not adjustable with DIP switches.

BoostFactor

Change this setting only after consulting with Victron Energy or with an engineer trained by Victron Energy!

Not adjustable with DIP switches.

Programmable relay

By default, the programmable relay is set as an alarm relay, i.e. the relay will de-energise in the event of an alarm or a pre-alarm (inverter almost too hot, ripple on the input almost too high, battery voltage almost too low). Not adjustable with DIP switches.

Auxiliary AC output (AC-out-2)

Besides the uninterruptable output, a second output (AC-out-2) is available that disconnects its load in the event of battery operation.

Example: an electric boiler or air conditioner that is allowed to operate only if the genset is running or shore power is available.

In case of battery operation, AC-out-2 is switched off immediately. After the AC supply has become available, AC-out-2 is reconnected with a delay of 2 minutes, this to allow a genset to stabilise prior to connecting a heavy load.



5.3 Configuration by computer

All settings can be changed by means of a computer or with a VE.Net panel (except for the multi-functional relay and the VirtualSwitch when using VE.Net).

The most common settings (including parallel and 3-phase operation) can be changed by means of DIP switches (see Section 5.5).

For changing settings with the computer, the following is required:

- VEConfigureII software: can be downloaded free of charge at www.victronenergy.com.
- A RJ45 UTP cable and the MK2.2b RS485-to-RS232 interface. If the computer has no RS232 connection, but does have USB, a RS232-to-USB interface cable is needed. Both are available from Victron Energy.

5.3.1 VE.Bus Quick Configure Setup

VE.Bus Quick Configure Setup is a software program with which systems with a maximum of three Multi's (parallel or three phase operation) can be configured in a simple manner. VEConfigureII forms part of this program.

The software can be downloaded free of charge at www.victronenergy.com.

For connection to the computer, a RJ45 UTP cable and the **MK2.2b** RS485-to-RS232 interface is required.

If the computer has no RS232 connection, but does have USB, a **RS232-to-USB interface cable** is needed. Both are available from Victron Energy.

5.3.2 VE.Bus System Configurator

For configuring advanced applications and/or systems with four or more Multi's, **VE.Bus System Configurator** software must be used.

The software can be downloaded free of charge at www.victronenergy.com. VEConfigureII forms part of this program.

For connection to the computer, a RJ45 UTP cable and the **MK2.2b** RS485-to-RS232 interface is required.

If the computer has no RS232 connection, but does have USB, a **RS232-to-USB interface cable** is needed. Both are available from Victron Energy.

5.4 Configuration with a VE.Net panel

To this end, a VE.Net panel and the VE.Net to VE.Bus converter is required.

With VE.Net all parameters are accessible, with the exception of the multi-functional relay and the VirtualSwitch.

5.5 Configuration with DIP switches

A number of settings can be changed using DIP switches (see appendix A, position M).

General procedure:

Turn the Multi on, preferably without load and without AC voltage on the input. The Multi will then operate in inverter mode.

Step 1: Setting the DIP switches for:

- the required current limitation of the AC input.
- AES (Automatic Economy Switch)
- limitation of the charging current.
- selection of stand-alone, parallel or 3-phase operation.

To store the settings after the required values have been set: press the 'Up' button for 2 seconds (**upper** button to the right of the DIP switches, see appendix A, position K). You can now re-use the DIP switches to apply the remaining settings (step 2).

Step 2: other settings

To store the settings after the required values have been set: press the 'Down' button for 2 seconds (**lower** button to the right of the DIP switches). You can now leave the DIP switches in the selected positions, so that the 'other settings' can always be recovered.

Remarks:

- The DIP switch functions are described in 'top to bottom' order. Since the uppermost DIP switch has the highest number (8), descriptions start with the switch numbered 8.
 - In parallel mode or 3-phase mode, not all devices require all settings to be made (see section 5.5.1.4).
- For parallel or 3-phase mode, read the whole setting procedure and make a note of the required DIP switch settings before actually implementing them.

Detailed instruction:

5.5.1 Step 1

5.5.1.1 Current limitation AC input (default: 16A for models with max. 16A feed through current, and 50A for models with max. 50A feed through current)

If the current draw (Multi load + battery charger) threatens to exceed the set current, the Multi will first reduce its charging current (PowerControl), and subsequently supply additional power from the battery (PowerAssist), if needed.

The AC input current limit can be set to eight different values by means of DIP switches. With a Multi Control Panel, a variable current limit can be set for the AC input.

Procedure

The AC input current limit can be set using DIP switches ds8, ds7 and ds6 (default setting: 50A, automatically limited to 16A in 16A models).

Procedure: set the DIP switches to the required value:

ds8	ds7	ds6	
off	off	off	= 6A (1.4kVA at 230V)
off	off	on	= 10A (2.3kVA at 230V)
off	on	off	= 12A (2.8kVA at 230V)
off	on	on	= 16A (3.7kVA at 230V)
on	off	off	= 20A (4.6kVA at 230V) (50A version only)
on	off	on	= 25A (5.7kVA at 230V) (50A version only)
on	on	off	= 30A (6.9kVA at 230V) (50A version only)
on	on	on	= 50A (11.5kVA at 230V) (50A version only)

Remark: Manufacturer-specified continuous power ratings for small generators are sometimes inclined to be rather optimistic. In that case, the current limit should be set to a much lower value than would otherwise be required on the basis of manufacturer-specified data.

5.5.1.2 AES (Automatic Economy Switch)

Procedure: set ds5 to the required value:

ds5	
off	= AES off
on	= AES on

5.5.1.3 Battery charge current limitation (default setting 75%)

For maximum battery life, a charge current of 10% to 20% of the capacity in Ah should be applied.

Example: optimal charge current of a 24V/500Ah battery bank: 50A to 100A.

The temperature sensor supplied automatically adjusts the charge voltage to the battery temperature.

If faster charging – and a subsequent higher current – is required:

- The temperature sensor supplied should always be fitted, since fast charging can lead to a considerable temperature rise of the battery bank. The charge voltage will be adapted to the higher temperature (i.e. lowered) by means of the temperature sensor.
- The bulk charge time will sometimes be so short that a fixed absorption time would be more satisfactory ('fixed' absorption time, see ds5, step 2).

Procedure

The battery charge current can be set in four steps, using DIP switches ds4 and ds3 (default setting: 75%).

ds4	ds3	
off	off	= 25%
off	on	= 50%
on	off	= 75%
on	on	= 100%

Note: when WeakAC is on, the maximum charge current is reduced from 100% to approximately 80%.

5.5.1.4 Stand-alone, parallel and 3-phase operation

Using DIP switches ds2 and ds1, three system configurations can be selected.

NOTES:

- **All units in a parallel or three phase system must be connected to the same battery. The DC and the AC cabling of all units must be of the same length and cross section.**
- When configuring a parallel or 3-phase system, all related devices should be interconnected using RJ45 UTP cables (see appendix C, D). All devices must be turned on. They will subsequently return an error code (see Section 7), since they have been integrated into a system and still are configured as 'stand-alone'. This error message can safely be ignored.
- Storing settings (by pressing the 'Up' button (step 1) – and later on the 'Down' button (step 2) – for 2 seconds) should be done on one device only. This device is the 'master' in a parallel system or the 'leader' (L1) in a 3-phase system. In a parallel system, the step-1 setting of DIP switches ds8 to ds3 need to be done on the master only. The slaves will follow the master with regard to these settings (hence the master/slave relationship). In a 3-phase system, a number of settings are required for the other devices, i.e. the followers (for phases L2 and L3). (The followers, therefore, do not follow the leader for all settings, hence the leader/follower terminology).
- A change in the setting 'stand-alone / parallel / 3-phase' is only activated after the setting has been stored (by pressing the 'UP' button for 2 seconds) **and** after all devices have been turned off and then on again. In order to start up a VE.Bus system correctly, all devices should therefore be turned off after the settings have been stored. They can then be turned on in any order. The system will not start until all devices have been turned on.
- Note that only identical devices can be integrated in one system. Any attempt to use different models in one system will fail. Such devices may possibly function correctly again only after individual reconfiguration for 'stand-alone' operation.

DIP switches ds2 and ds1 are reserved for the selection of stand-alone, parallel or 3-phase operation

The combination ds2=on and ds1=on is not used.

Stand-alone operation

Step 1: Setting ds2 and ds1 for stand-alone operation

DS-8 AC input	Set as desired	<input type="checkbox"/>
DS-7 AC input	Set as desired	<input type="checkbox"/>
DS-6 AC input	Set as desired	<input type="checkbox"/>
DS-5 AES	Set as desired	<input type="checkbox"/>
DS-4 Charging current	Set as desired	<input type="checkbox"/>
DS-3 Charging current	Set as desired	<input type="checkbox"/>
DS-2 Stand-alone operation		<input type="checkbox"/> off
DS-1 Stand-alone operation		<input type="checkbox"/> off

Examples of DIP switch settings for stand-alone mode are given below.

Example 1 shows the factory setting (since factory settings are entered by computer, all DIP switches of a new product are set to 'off' and do not reflect the actual settings in the microprocessor.).

Four examples of stand-alone settings:

DS-8 AC input	<input type="checkbox"/> on	DS-8	<input type="checkbox"/> on	DS-8	<input type="checkbox"/> off	DS-8	<input type="checkbox"/> on
DS-7 AC input	<input type="checkbox"/> on	DS-7	<input type="checkbox"/> on	DS-7	<input type="checkbox"/> on	DS-7	<input type="checkbox"/> on
DS-6 AC input	<input type="checkbox"/> on	DS-6	<input type="checkbox"/> on	DS-6	<input type="checkbox"/> on	DS-6	<input type="checkbox"/> off
DS-5 AES	<input type="checkbox"/> off	DS-5	<input type="checkbox"/> off	DS-5	<input type="checkbox"/> off	DS-5	<input type="checkbox"/> on
DS-4 Ch. current	<input type="checkbox"/> on	DS-4	<input type="checkbox"/> on	DS-4	<input type="checkbox"/> on	DS-4	<input type="checkbox"/> off
DS-3 Ch. current	<input type="checkbox"/> off	DS-3	<input type="checkbox"/> on	DS-3	<input type="checkbox"/> on	DS-3	<input type="checkbox"/> on
DS-2 St.-alone mode	<input type="checkbox"/> off	DS-2	<input type="checkbox"/> off	DS-2	<input type="checkbox"/> off	DS-2	<input type="checkbox"/> off
DS-1 St.-alone mode	<input type="checkbox"/> off	DS-1	<input type="checkbox"/> off	DS-1	<input type="checkbox"/> off	DS-1	<input type="checkbox"/> off
Step1, stand-alone Example 1 (factory setting): 8, 7, 6 AC-in: 50A* 5 AES: off 4, 3 Charging current: 75% 2, 1 Stand-alone mode		Step1, stand-alone Example 2: 8, 7, 6 AC-in: 50A* 5 AES: off 4, 3 Charge: 100% 2, 1 Stand-alone		Step1, stand-alone Example 3: 8, 7, 6 AC-in: 16A 5 AES: off 4, 3 Charge: 100% 2, 1 Stand-alone		Step1, stand-alone Example 4: 8, 7, 6 AC-in: 30A* 5 AES: on 4, 3 Charge: 50% 2, 1 Stand-alone	

*Maximum is limited to 16A in case of models with 16A transfer switch

To store the settings after the required values have been set: press the 'Up' button for 2 seconds (**upper** button to the right of the DIP switches, see appendix A, position J). **The overload and low-battery LED's will flash to indicate acceptance of the settings.**

We recommend making a note of the settings, and filing this information in a safe place. The DIP switches can now be used to apply the remaining settings (step 2).

Parallel operation (appendix C)

Step 1: Setting ds2 and ds1 for parallel operation

Master		Slave 1	Slave 2 (optional)
DS-8 AC input	Set	DS-8 na	DS-8 na
DS-7 AC input	Set	DS-7 na	DS-7 na
DS-6 AC input	Set	DS-6 na	DS-6 na
DS-5 AES	na	DS-5 na	DS-5 na
DS-4 Ch. current	Set	DS-4 na	DS-4 na
DS-3 Ch. current	Set	DS-3 na	DS-3 na
DS-2 Master	off	DS-2 Slave 1	DS-2 Slave 2
DS-1 Master	on	DS-1 Slave 1	DS-1 Slave 2

The current settings (AC current limitation and charging current) are multiplied by the number of devices. However, the AC current limit setting when using a remote panel will always correspond to the value indicated on the panel and is **not** multiplied by the number of devices.

Example: 9kVA parallel system

- If an AC input current limit of 20A is set on the master and the system consists of three devices, then the effective system current limit will be equal to $3 \times 20 = 60A$ (maximum input power $3 \times 20 \times 230 = 13,8kVA$).
- If a 30A panel is connected to the master, the system current limit is adjustable to a maximum of 30A, regardless of the number of devices.
- If the charging current on the master is set to 100% (70A for a Multi 24/3000/70) and the system consists of three devices, then the effective system charging current is equal to $3 \times 70 = 210A$.

The settings according to this example (9kVA parallel system with 30A Multi Control Panel) are as follows:

Master		Slave 1	Slave 2
DS-8 na (30A panel)		DS-8 na	DS-8 na
DS-7 na (30A panel)		DS-7 na	DS-7 na
DS-6 na (30A panel)		DS-6 na	DS-6 na
DS-5 AES na		DS-5 na	DS-5 na
DS-4 Ch. current 3x70A	on	DS-4 na	DS-4 na
DS-3 Ch. current 3x70A	on	DS-3 na	DS-3 na
DS-2 Master	off	DS-2 Slave 1	DS-2 Slave 2
DS-1 Master	on	DS-1 Slave 1	DS-1 Slave 2

To store the settings after the required values have been set: press the 'Up' button of the **master** for 2 seconds (**upper** button to the right of the DIP switches, see appendix A, position J). **The overload and low-battery LED's will flash to indicate acceptance of the settings.**

We recommend making a note of the settings, and filing this information in a safe place. The DIP switches can now be used to apply the remaining settings (step 2).

Three phase operation (appendix D)

Step 1: Setting ds2 and ds1 for 3-phase operation

Leader (L1)		Follower (L2)		Follower (L3)	
DS-8 AC input	Set	DS-8 Set		DS-8 Set	
DS-7 AC input	Set	DS-7 Set		DS-7 Set	
DS-6 AC input	Set	DS-6 Set		DS-6 Set	
DS-5 AES	na	DS-5 na		DS-5 na	
DS-4 Ch. current	Set	DS-4 na		DS-4 na	
DS-3 Ch. current	Set	DS-3 na		DS-3 na	
DS-2 Leader	on	DS-2 Follower 1	off	DS-2 Follower 2	off
DS-1 Leader	off	DS-1 Follower 1	off	DS-1 Follower 2	on

As the table above shows, the AC-in current limits for each phase should be set separately (ds8 thru ds6). Different current limits per phase can be selected.

If a Multi control panel is connected, the AC input current limit will equal the value set on the panel for all phases.

AES can be used on stand alone units only.

The maximum charge current is the same for all devices, and should be set on the leader only (ds4 and ds3).

Example: 9kVA 3phase system

- AC input current limit on the leader and the followers: 12A (maximum input power $12 \times 230 \times 3 = 8,3\text{kVA}$).
- If the charge current on the leader is set to 100% (70A for a Multi 24/3000/70) and the system consists of three devices, then the effective system charging current is equal to $3 \times 70 = 210\text{A}$.

The settings according to this example (9kVA 3-phase system without Multi Control Panel) are as follows:

Leader (L1)		Follower (L2)		Follower (L3)	
DS-8 AC input	12A	DS-8 AC in 12A	off	DS-8 AC in 12A	off
DS-7 AC input	12A	DS-7 AC in 12A	on	DS-7 AC in 12A	on
DS-6 AC input	12A	DS-6 AC in 12A	off	DS-6 AC in 12A	off
DS-5 AES	na	DS-5 na		DS-5 na	
DS-4 Ch. current	3x70A	DS-4 na		DS-4 na	
DS-3 Ch. current	3x70A	DS-3 na		DS-3 na	
DS-2 Leader	on	DS-2 Follower 1	off	DS-2 Follower 2	off
DS-1 Leader	off	DS-1 Follower 1	off	DS-1 Follower 2	on

To store the settings after the required values have been set: press the 'Up' button of the **leader** for 2 seconds (**upper** button to the right of the DIP switches, see appendix A, position K). **The overload and low-battery LED's will flash to indicate acceptance of the settings.**

We recommend making a note of the settings, and filing this information in a safe place.

The DIP switches can now be used to apply the remaining settings (step 2).

5.5.2 Step 2: Other settings

The remaining settings are not relevant (**na**) for slaves.

Some of the remaining settings are not relevant for followers (**L2, L3**). These settings are imposed on the whole system by the leader **L1**. If a setting is irrelevant for **L2, L3** devices, this is mentioned explicitly.

ds8-ds7: Setting charging voltages (**not relevant for L2, L3**)

ds8-ds7	Absorption voltage	Float voltage	Storage voltage	Suitable for
off off	14.1 28.2 56.4	13.8 27.6 55.2	13.2 26.4 52.8	Gel Victron Long Life (OPzV) Gel Exide A600 (OPzV) Gel MK battery
off on	14.4 28.8 57.6	13.8 27.6 55.2	13.2 26.4 52.8	Gel Victron Deep Discharge Gel Exide A200 AGM Victron Deep Discharge Stationary tubular plate (OPzS)
on off	14.7 29.4 58.8	13.8 27.6 55.2	13.2 26.4 52.8	AGM Victron Deep Discharge Tubular plate traction batteries in semi-float mode AGM spiral cell
on on	15.0 30.0 60.0	13.8 27.6 55.2	13.2 26.4 52.8	Tubular plate traction batteries or OPzS batteries in cyclic mode

ds6: absorption time 8 or 4 hours (**na for L2, L3**) on = 8 hours off = 4 hours

ds5: adaptive charging characteristic (**na for L2, L3**) on = active off = inactive (inactive = fixed absorption time)

ds4: dynamic current limiter on = active off = inactive

ds3: UPS function on = active off = inactive

ds2: converter voltage on = 230V off = 240V

ds1: converter frequency (**na for L2, L3**) on = 50Hz off = 60Hz
(the wide input frequency range (45-55Hz) is 'on' by default)

Step 2: Exemplary settings for stand-alone mode

Example 1 is the factory setting (since factory settings are entered by computer, all DIP switches of a new product are set to 'off' and do not reflect the actual settings in the microprocessor.).

DS-8 Ch. voltage	<input type="checkbox"/> off	DS-8	<input type="checkbox"/> off	DS-8	<input checked="" type="checkbox"/> on	DS-8	<input checked="" type="checkbox"/> on
DS-7 Ch. voltage	<input checked="" type="checkbox"/> on	DS-7	<input type="checkbox"/> off	DS-7	<input type="checkbox"/> off	DS-7	<input checked="" type="checkbox"/> on
DS-6 Absorpt. time	<input checked="" type="checkbox"/> on	DS-6	<input checked="" type="checkbox"/> on	DS-6	<input checked="" type="checkbox"/> on	DS-6	<input type="checkbox"/> off
DS-5 Adaptive ch.	<input checked="" type="checkbox"/> on	DS-5	<input checked="" type="checkbox"/> on	DS-5	<input checked="" type="checkbox"/> on	DS-5	<input type="checkbox"/> off
DS-4 Dyn. Curr. limit	<input type="checkbox"/> off	DS-4	<input type="checkbox"/> off	DS-4	<input checked="" type="checkbox"/> on	DS-4	<input type="checkbox"/> off
DS-3 UPS function:	<input checked="" type="checkbox"/> on	DS-3	<input type="checkbox"/> off	DS-3	<input type="checkbox"/> off	DS-3	<input checked="" type="checkbox"/> on
DS-2 Voltage	<input checked="" type="checkbox"/> on	DS-2	<input checked="" type="checkbox"/> on	DS-2	<input type="checkbox"/> off	DS-2	<input type="checkbox"/> off
DS-1 Frequency	<input checked="" type="checkbox"/> on	DS-1	<input checked="" type="checkbox"/> on	DS-1	<input checked="" type="checkbox"/> on	DS-1	<input type="checkbox"/> off
Step 2 Example 1 (factory setting): 8, 7 GEL 14,4V 6 Absorption time: 8 hours 5 Adaptive charging: on 4 Dynamic current limit: off 3 UPS function: on 2 Voltage: 230V 1 Frequency: 50Hz		Step 2 Example 2: 8, 7 OPzV 14,1V 6 Abs. time: 8 h 5 Adaptive ch.: on 4 Dyn. Curr. limit: off 3 UPS function: off 2 Voltage: 230V 1 Frequency: 50Hz		Step 2 Example 3: 8, 7 AGM 14,7V 6 Abs. time: 8 h 5 Adaptive ch: on 4 Dyn. Curr. limit: on 3 UPS function: off 2 Voltage: 240V 1 Frequency: 50Hz		Step 2 Example 4: 8, 7 Tub.-plate 15V 6 Abs. time: 4 h 5 Fixed abs. time 4 Dyn. Curr. limit: off 3 UPS function: on 2 Voltage: 240V 1 Frequency: 60Hz	

To store the settings after the required values have been set: press the 'Down' button for 2 seconds (**lower** button to the right of the DIP switches). **The temperature and low-battery LED's will flash to indicate acceptance of the settings.**

The DIP switches can be left in the selected positions, so that the 'other settings' can always be recovered.

Step 2: Exemplary setting for parallel mode

In this example, the master is configured according to factory settings.
The slaves do not require setting!

Master	Slave 1	Slave 2
DS-8 Ch. voltage(GEL 14,4V) <input type="checkbox"/> off	DS-8 na <input type="checkbox"/>	DS-8 na <input type="checkbox"/>
DS-7 Ch. voltage(GEL 14,4V) <input type="checkbox"/> on	DS-7 na <input type="checkbox"/>	DS-7 na <input type="checkbox"/>
DS-6 Absorption time (8 h) <input type="checkbox"/> on	DS-6 na <input type="checkbox"/>	DS-6 na <input type="checkbox"/>
DS-5 Adaptive charging (on) <input type="checkbox"/> on	DS-5 na <input type="checkbox"/>	DS-5 na <input type="checkbox"/>
DS-4 Dyn. current limit (off) <input type="checkbox"/> off	DS-4 na <input type="checkbox"/>	DS-4 na <input type="checkbox"/>
DS-3 UPS function (on) <input type="checkbox"/> on	DS-3 na <input type="checkbox"/>	DS-3 na <input type="checkbox"/>
DS-2 Voltage (230V) <input type="checkbox"/> on	DS-2 na <input type="checkbox"/>	DS-2 na <input type="checkbox"/>
DS-1 Frequency (50Hz) <input type="checkbox"/> on	DS-1 na <input type="checkbox"/>	DS-1 na <input type="checkbox"/>

To store the settings after the required values have been set: press the 'Down' button of the **master** for 2 seconds (**lower** button to the right of the DIP switches). **The temperature and low-battery LED's will flash to indicate acceptance of the settings.**

You can then leave the DIP switches in the selected positions, so that the 'other settings' can always be recovered.

To start the system: first, turn all devices off. The system will start up as soon as all devices have been turned on.

Step 2: Exemplary setting for 3-phase mode

In this example the leader is configured according to factory settings.

Leader (L1)	Follower (L2)	Follower (L3)
DS-8 Ch. Volt. GEL 14,4V <input type="checkbox"/> off	DS-8 na <input type="checkbox"/>	DS-8 na <input type="checkbox"/>
DS-7 Ch. Volt. GEL 14,4V <input type="checkbox"/> on	DS-7 na <input type="checkbox"/>	DS-7 na <input type="checkbox"/>
DS-6 Absorption time (8 h) <input type="checkbox"/> on	DS-6 na <input type="checkbox"/>	DS-6 na <input type="checkbox"/>
DS-5 Adaptive ch. (on) <input type="checkbox"/> on	DS-5 na <input type="checkbox"/>	DS-5 na <input type="checkbox"/>
DS-4 Dyn. current limit (off) <input type="checkbox"/> off	DS-4 D. c. l. (off) <input type="checkbox"/> off	DS-4 D. c. l. (off) <input type="checkbox"/> off
DS-3 UPS function (on) <input type="checkbox"/> on	DS-3 UPS f. (on) <input type="checkbox"/> on	DS-3 UPS f. (on) <input type="checkbox"/> on
DS-2 Voltage (230V) <input type="checkbox"/> on	DS-2 V (230V) <input type="checkbox"/> on	DS-2 V (230V) <input type="checkbox"/> on
DS-1 Frequency (50Hz) <input type="checkbox"/> on	DS-1 na <input type="checkbox"/>	DS-1 na <input type="checkbox"/>

To store the settings after the required values have been set: press the 'Down' button of the **leader** for 2 seconds (**lower** button to the right of the DIP switches). **The temperature and low-battery LED's will flash to indicate acceptance of the settings.**

The DIP switches can be left in the selected positions, so that the 'other settings' can always be recovered.

To start the system: first, turn all devices off. The system will start up as soon as all devices have been turned on.

6. Maintenance

The MultiPlus does not require specific maintenance. It will suffice to check all connections once a year. Avoid moisture and oil/soot/vapours, and keep the device clean.

7. Error indications

With the procedures below, most errors can be quickly identified. If an error cannot be resolved, please refer to your Victron Energy supplier.

7.1 General error indications

Problem	Cause	Solution
No output voltage on AC-out-2.	MultiPlus in inverter mode	
Multi will not switch over to generator or mains operation.	Circuit breaker or fuse in the AC-in input is open as a result of overload.	Remove overload or short circuit on AC-out-1 or AC-out-2, and reset fuse/breaker.
Inverter operation not initiated when switched on.	The battery voltage is excessively high or too low. No voltage on DC connection.	Ensure that the battery voltage is within the correct range.
"Low battery" LED flashes.	The battery voltage is low.	Charge the battery or check the battery connections.
"Low battery" LED lights.	The converter switches off because the battery voltage is too low.	Charge the battery or check the battery connections.
"Overload" LED flashes.	The converter load is higher than the nominal load.	Reduce the load.
"Overload" LED lights.	The converter is switched off due to excessively high load.	Reduce the load.
"Temperature" LED flashes or lights.	The environmental temperature is high, or the load is too high.	Install the converter in cool and well-ventilated environment, or reduce the load.
"Low battery" and "overload" LEDs flash intermittently.	Low battery voltage and excessively high load.	Charge the batteries, disconnect or reduce the load, or install higher capacity batteries. Fit shorter and/or thicker battery cables.
"Low battery" and "overload" LEDs flash simultaneously.	Ripple voltage on the DC connection exceeds 1,5Vrms.	Check the battery cables and battery connections. Check whether battery capacity is sufficiently high, and increase this if necessary.
"Low battery" and "overload" LEDs light.	The inverter is switched off due to an excessively high ripple voltage on the input.	Install batteries with a larger capacity. Fit shorter and/or thicker battery cables, and reset the inverter (switch off, and then on again).

One alarm LED lights and the second flashes.	The inverter is switched off due to alarm activation by the lighted LED. The flashing LED indicates that the inverter was about to switch off due to the related alarm.	Check this table for appropriate measures in regard to this alarm state.
The charger does not operate.	The AC input voltage or frequency is not within the range set.	Ensure that the AC input is between 185 VAC and 265 VAC, and that the frequency is within the range set (default setting 45-65Hz).
	Circuit breaker or fuse in the AC-in input is open as a result of overload.	Remove overload or short circuit on AC-out-1 or AC-out-2, and reset fuse/breaker.
	The battery fuse has blown.	Replace the battery fuse.
	The distortion or the AC input voltage is too large (generally generator supply).	Turn the settings WeakAC and dynamic current limiter on.
The charger does not operate. "Bulk" LED flashes and "Mains on" LED illuminates.	MultiPlus is in "Bulk protection" mode thus, the maximum bulk charging time of 10 hours is exceeded. Such a long charging time could indicate a system error (e.g. a battery cell short-circuit).	Check your batteries. NOTE: You can reset the error mode by switching off and back on the MultiPlus. The standard MultiPlus factory setting of the "Bulk protection" mode is switched on. The "Bulk protection" mode can be switched off with help of VEConfigure only.
The battery is not completely charged.	Charging current excessively high, causing premature absorption phase.	Set the charging current to a level between 0.1 and 0.2 times the battery capacity.
	Poor battery connection.	Check the battery connections.
	The absorption voltage has been set to an incorrect level (too low).	Set the absorption voltage to the correct level.
	The float voltage has been set to an incorrect level (too low).	Set the float voltage to the correct level.
	The available charging time is too short to fully charge the battery.	Select a longer charging time or higher charging current.
The absorption time is too short. For adaptive charging this can be caused by an extremely high charging current with respect to battery capacity, so that bulk time is insufficient.	Reduce the charging current or select the 'fixed' charging characteristics.	
The battery is overcharged.	The absorption voltage is set to an incorrect level (too high).	Set the absorption voltage to the correct level.
	The float voltage is set to an incorrect level (too high).	Set the float voltage to the correct level.
	Poor battery condition.	Replace the battery.
	The battery temperature is too high (due to poor ventilation, excessively high environmental temperature, or excessively high charging current).	Improve ventilation, install batteries in a cooler environment, reduce the charging current, and connect the temperature sensor .
The charging current drops to 0 as soon as the absorption phase initiates.	The battery is over-heated (>50 °C)	<ul style="list-style-type: none"> – Install the battery in a cooler environment – Reduce the charging current – Check whether one of the battery cells has an internal short circuit
	Defective battery temperature sensor	Disconnect the temperature sensor plug in the MultiPlus. If charging functions correctly after approximately 1 minute, the temperature sensor should be replaced.

7.2 Special LED indications

(for the normal LED indications, see section 3.4)

Bulk and absorption LEDs flash synchronously (simultaneously).	Voltage sense error. The voltage measured at the voltage sense connection deviates too much (more than 7V) from the voltage on the positive and negative connection of the device. There is probably a connection error. The device will remain in normal operation. NOTE: If the "inverter on" LED flashes in phase opposition, this is a VE.Bus error code (see further on).
Absorption and float LEDs flash synchronously (simultaneously).	The battery temperature as measured has an extremely unlikely value. The sensor is probably defective or has been incorrectly connected. The device will remain in normal operation. NOTE: If the "inverter on" LED flashes in phase opposition, this is a VE.Bus error code (see further on).
"Mains on" flashes and there is no output voltage.	The device is in "charger only" operation and mains supply is present. The device rejects the mains supply or is still synchronising.

7.3 VE.Bus LED indications

Equipment included in a VE.Bus system (a parallel or 3-phase arrangement) can provide so-called VE.Bus LED indications. These LED indications can be subdivided into two groups: OK codes and error codes.

7.3.1 VE.Bus OK codes

If the internal status of a device is in order but the device cannot yet be started because one or more other devices in the system indicate an error status, the devices that are in order will indicate an OK code. This facilitates error tracing in a VE.Bus system, since devices not requiring attention are easily identified as such.

Important: OK codes will only be displayed if a device is not in inverter or charging operation!

- A flashing "bulk" LED indicates that the device can perform inverter operation.
- A flashing "float" LED indicates that the device can perform charging operation.

NOTE: In principle, all other LEDs must be off. If this is not the case, the code is not an OK code. However, the following exceptions apply:

- The special LED indications above can occur together with the OK codes.
- The "low battery" LED can function together with the OK code that indicates that the device can charge.

7.3.2 VE.Bus error codes

A VE.Bus system can display various error codes. These codes are displayed with the "inverter on", "bulk", "absorption" and "float" LEDs.

To interpret a VE.Bus error code correctly, the following procedure should be followed:

1. The device should be in error (no AC output).
2. Is the "inverter on" LED flashing? If not, then there is **no** VE.Bus error code.
3. If one or more of the LEDs "bulk", "absorption" or "float" flashes, then this flash must be in phase opposition to the "inverter on" LED, i.e. the flashing LEDs are off if the "inverter on" LED is on, and vice versa. If this is not the case, then there is **no** VE.Bus error code.
4. Check the "bulk" LED, and determine which of the three tables below should be used.
5. Select the correct column and row (depending on the "absorption" and "float" LEDs), and determine the error code.
6. Determine the meaning of the code in the tables below.

All of the conditions below must be met!:

1. The device is in error! (No AC output)
2. Inverter LED flashes (in opposition to any flashing of the Bulk, Absorption or Float LED)
3. At least one of the LEDs Bulk, Absorption and Float is on or flashing

Bulk LED off				Bulk LED flashes				Bulk LED on						
		Absorption LED						Absorption LED						
		off	flashing	On				off	flashing	on				
Float LED	off	0	3	6	Float LED	off	9	12	15	Float LED	off	18	21	24
	flashing	1	4	7		flashing	10	13	16		flashing	19	22	25
	on	2	5	8		on	11	14	17		on	20	23	26

Bulk LED Absorption LED Float LED	Code	Meaning:	Cause/solution:
○ ○ ★	1	Device is switched off because one of the other phases in the system has switched off.	Check the failing phase.
○ ★ ○	3	Not all, or more than, the expected devices were found in the system.	The system is not properly configured. Reconfigure the system. Communication cable error. Check the cables and switch all equipment off, and then on again.
○ ★ ★	4	No other device whatsoever detected.	Check the communication cables.
○ ★ ★	5	Overvoltage on AC-out.	Check the AC cables.
○ ★ ★	10	System time synchronisation problem occurred.	Should not occur in correctly installed equipment. Check the communication cables.
★ ★ ★	14	Device cannot transmit data.	Check the communication cables (there may be a short circuit).
★ ★ ★	17	One of the devices has assumed 'master' status because the original master failed.	Check the failing unit. Check the communication cables.
★ ○ ○	18	Overvoltage has occurred.	Check AC cables.
★ ★ ★	22	This device cannot function as 'slave'.	This device is an obsolete and unsuitable model. It should be replaced.
★ ★ ○	24	Switch-over system protection initiated.	Should not occur in correctly installed equipment. Switch all equipment off, and then on again. If the problem recurs, check the installation. Possible solution: increase lower limit of AC input voltage to 210VAC (factory setting is 180VAC)
★ ★ ★	25	Firmware incompatibility. The firmware of one the connected devices is not sufficiently up to date to operate in conjunction with this device.	1) Switch all equipment off. 2) Switch the device returning this error message on. 3) Switch on all other devices one by one until the error message reoccurs. 4) Update the firmware in the last device that was switched on.
★ ★ ★	26	Internal error.	Should not occur. Switch all equipment off, and then on again. Contact Victron Energy if the problem persists.

8. Technical specifications

MultiPlus	12/3000/120-16 230V 12/3000/120-50 230V	24/3000/70-16 230V 24/3000/70-50 230V	48/3000/35-16 230V 48/3000/35-50 230V
PowerControl / PowerAssist	Yes		
AC input	Input voltage range: 187-265 VAC Input frequency: 45 – 65 Hz		
Maximum feed through current (A)	16 / 50		
Minimum AC supply current capacity for PowerAssist (A)	2,3 / 5,3		
INVERTER			
Input voltage range (V DC)	9,5 – 17	19 – 33	38 – 66
Output (1)	Output voltage: 230 VAC ± 2% Frequency: 50 Hz ± 0,1%		
Cont. output power at 25 °C (VA) (3)	3000	3000	3000
Cont. output power at 25 °C (W)	2500	2500	2500
Cont. output power at 40 °C (W)	2000	2000	2000
Peak power (W)	6000	6000	6000
Maximum efficiency (%)	93	94	95
Zero-load power (W)	15	15	16
Zero-load power in AES mode (W)	10	10	12
Zero-load power in Search mode (W)	4	5	5
CHARGER			
AC Input	Input voltage range: 187-265 VAC Input frequency: 45 – 55 Hz Power factor: 1		
Charge voltage 'absorption' (V DC)	14,4	28,8	57,6
Charge voltage 'float' (V DC)	13,8	27,6	55,2
Storage mode (V DC)	13,2	26,4	52,8
Charge current house battery (A) (4)	120	70	35
Charge current starter battery (A)	4 (12V and 24V models only)		
Battery temperature sensor	Yes		
GENERAL			
Auxiliary output	Max. 16A Switches off when no external AC source available		
Programmable relay (5)	Yes		
Protection (2)	a - g		
Common Characteristics	Operating temp.: -20 to +50 °C (fan assisted cooling) Humidity (non condensing) : max 95%		
ENCLOSURE			
Common Characteristics	Material & Colour: aluminium (blue RAL 5012) Protection category: IP 21		
Battery-connection	M8 bolts (2 plus and 2 minus connections)		
230 V AC-connections	Screw terminals 13mm ² (6 AWG)		
Weight (kg)	19		
Dimensions (hwxwd in mm)	362 x 258 x 218		
STANDARDS			
Safety	EN 60335-1, EN 60335-2-29		
Emission / Immunity	EN55014-1, EN 55014-2, EN 61000-3-3		
Automotive Directive	2004/104/EC		

1) Can be adjusted to 60Hz; 120V 60Hz on request
Protection

- a. Output short circuit
- b. Overload
- c. Battery voltage too high
- d. Battery voltage too low
- e. Temperature too high
- f. 230VAC on inverter output
- g. Input voltage ripple too high

3) Non linear load, crest factor 3:1

4) At 25 °C ambient

5) Programmable relay which can be set for general
alarm, DC undervoltage or genset start/stop function

AC rating: 230V/4A

DC rating: 4A up to 35VDC and 1A upto 60VDC

1. VEILIGHEIDSVORSCHRIFTEN

Algemeen

Lees eerst de bij dit product geleverde documentatie, zodat u bekend bent met de veiligheidsaanduidingen en aanwijzingen voordat u het product in gebruik neemt.

Dit product is ontworpen en getest in overeenstemming met internationale normen. De apparatuur dient uitsluitend voor de bestemde toepassing te worden gebruikt.

WAARSCHUWING: KANS OP ELEKTRISCHE SCHOKKEN.

Het product wordt gebruikt in combinatie met een permanente energiebron (accu). Zelfs als de apparatuur is uitgeschakeld, kan een gevaarlijke elektrische spanning optreden bij de in -en/ of uitgangsklemmen. Schakel altijd de wisselstroomvoeding uit en ontkoppel de accu voor het plegen van onderhoud.

Het product bevat geen interne onderdelen die door de gebruiker kunnen worden onderhouden. Haal het paneel aan de voorkant er niet af en stel het product niet in werking als niet alle panelen zijn gemonteerd. Al het onderhoud dient door gekwalificeerd personeel te worden uitgevoerd.

Gebruik het product nooit op plaatsen waar gas- of stofexplosies kunnen optreden. Raadpleeg de gegevens van de fabrikant van de accu om u ervan te verzekeren dat de accu geschikt is voor gebruik met dit product. De veiligheidsvoorschriften van de fabrikant van de accu dienen altijd te worden opgevolgd.

WAARSCHUWING: til geen zware lasten zonder hulp.

Installatie

Lees de installatievoorschriften voordat u met de installatie werkzaamheden begint.

Dit is een product uit veiligheidsklasse I (dat wordt geleverd met een aardklem ter beveiliging). **De in -en/ of uitgangsklemmen van de wisselstroom moeten zijn voorzien van een ononderbreekbare aarding ter beveiliging. Aan de buitenkant van het product bevindt zich een extra aardpunt.** Als het aannemelijk is dat de aardbeveiliging is beschadigd, moet het product buiten werking worden gesteld en worden beveiligd tegen iedere onopzettelijke inwerkingstelling; neem contact op met gekwalificeerd onderhoudspersoneel.

Zorg ervoor dat de aansluitkabels zijn voorzien van zekeringen en stroomonderbrekers. Vervang een beveiligingsonderdeel nooit door een ander type. Raadpleeg de handleiding voor het juiste onderdeel.

Controleer voordat u het apparaat inschakelt dat de beschikbare spanningsbron overeenkomt met de configuratie-instellingen van het product zoals beschreven in de handleiding.

Zorg ervoor dat de apparatuur onder de juiste bedrijfsomstandigheden wordt gebruikt. Stel het product nooit in bedrijf in een natte of in een stoffige omgeving.

Zorg ervoor dat er altijd voldoende vrije ruimte (minstens 10cm) rondom het product is voor ventilatie en dat de ventilatieopeningen niet zijn geblokkeerd.

Installeer het product in een hittebestendige omgeving. Voorkom daarom de aanwezigheid van bijvoorbeeld chemicaliën, kunststof onderdelen, gordijnen of ander textiel, etc. in de directe omgeving.

Vervoer en opslag

Zorg ervoor dat de netspanning en accukabels zijn losgekoppeld bij opslag of vervoer van het product.

Er kan geen aansprakelijkheid worden aanvaard voor transportschade indien de apparatuur wordt vervoerd in een andere dan de originele verpakking.

Sla het product op in een droge omgeving; de opslagtemperatuur moet tussen de -20°C en 60°C liggen.

Raadpleeg de handleiding van de fabrikant van de accu met betrekking tot vervoer, opslag, laden, herladen en verwijderen van de accu.

2. BESCHRIJVING

2.1 Algemeen

De basis van de MultiPlus is een zeer krachtige sinusomvormer, acculader en omschakelautomaat in een compacte behuizing. Daarnaast heeft de MultiPlus een groot aantal vaak unieke mogelijkheden:

Automatisch en onderbrekingsvrij omschakelen

In geval van een netspanningstoring of wanneer het aggregaat wordt uitgeschakeld zal de MultiPlus overschakelen op omvormer bedrijf en de voeding van de aangesloten apparaten overnemen. Dit gaat zo snel dat computers en andere elektronische apparaten ongestoord blijven functioneren (Uninterruptible Power Supply of UPS functionaliteit). Dit maakt de MultiPlus zeer geschikt als noodstroom systeem in industriële en telecommunicatie toepassingen.

De maximale wisselstroom die geschakeld kan worden bedraagt 16 of 50A, afhankelijk van het model.

Extra uitgang voor afschakelen niet kritische belasting

Belastingen die op deze uitgang zijn aangesloten worden afgeschakeld wanneer de MultiPlus als omvormer werkt. Hierdoor kan ongewenst ontladen van de accu door bijvoorbeeld een warmwater boiler of airconditioning worden voorkomen.

Praktisch onbegrensd vermogen dankzij parallel schakeling

Twee tot zes Multi's kunnen parallel geschakeld worden. Zo kan met 6 MultiPlus's 24/5000/120 een uitgangsvermogen van 25kW / 30kVA bereikt worden, en 720A laadstroom.

Drie fase schakeling

Multi's kunnen bovendien in 3 fase configuratie geschakeld worden. Met 6 sets van drie Multi's wordt het omvormer vermogen 75kW / 90kVA en de laadstroom ruim 2000A!

PowerControl – Maximaal benutten van beperkte walstroom

De MultiPlus kan enorm veel laadstroom leveren. Dat betekent een zware belasting voor de walaansluiting of het aggregaat. Voor beide AC ingangen kan daarom een maximale stroom ingesteld worden. De MultiPlus houdt dan rekening met andere stroomverbruikers en gebruikt voor het laden alleen de stroom die nog 'over' is.

PowerAssist – Doe meer met Uw aggregaat en walstroom: de "meehelp" functie van de MultiPlus

De MultiPlus werkt parallel met het aggregaat of de walaansluiting. Een tekort aan stroom wordt automatisch opgevangen: de MultiPlus haalt extra vermogen uit de accu en helpt mee. Een surplus aan stroom wordt gebruikt om de accu weer op te laden.

Met deze unieke functie is het 'walstroom probleem' voorgoed opgelost: zwaar electrisch gereedschap, afwasmachine, wasmachine, elektrisch koken: allemaal mogelijk op 16A walstroom, of zelfs nog minder. Bovendien kan een kleiner aggregaat geïnstalleerd worden.

Zonne-energie

De MultiPlus is zeer geschikt voor zonne-energie toepassingen. Met de MultiPlus kunnen zowel autonome systemen worden gebouwd als netgekoppelde systemen. (De MultiPlus kan geen stroom terugleveren aan het net, maar kan wel samen met een netgekoppelde zonne-converter gebruikt worden om zowel autonoom bedrijf als terugleveren van energie aan het net mogelijk te maken)

Noodstroom of autonoom bedrijf wanneer de netspanning uitvalt

Woningen of gebouwen voorzien van zonnepanelen of een microwarmtekracht centrale (CV ketel met stroomopwekking) of andere hernieuwbare energie bronnen hebben in potentie een autonome energievoorziening waarmee essentiële apparatuur (CV pomp, koelkast, vrieskist, internet aansluiting) in bedrijf gehouden kan worden gedurende een stroomstoring. Probleem is echter dat de netgekoppelde zonnepanelen en/of microwarmtekracht centrale uitvallen zodra de netspanning uitvalt. Met een MultiPlus en accu's kan dit probleem op eenvoudige wijze opgelost worden: **de MultiPlus kan de netspanning vervangen tijdens een stroom storing.**

Wanneer de hernieuwbare energie bronnen meer vermogen produceren dan nodig zal de MultiPlus het teveel gebruiken om de accu's te laden, terwijl in geval van een tekort de MultiPlus vermogen zal 'bijleveren' met energie uit de accu's.

Programmeerbaar relais

De MultiPlus is voorzien van een programmeerbaar relais, dat standaard is ingesteld als alarm relais. Het relais kan echter voor allerlei andere toepassingen geprogrammeerd worden, bijvoorbeeld als start/stop relais voor een aggregaat.

Programmeerbaar met dipswitches, met een VE.Net paneel, en met de PC

De MultiPlus wordt klaar voor gebruik geleverd. Mocht U sommige instelling willen wijzigen, dan zijn er drie mogelijkheden:

- De belangrijkste instellingen (inclusief parallel bedrijf tot drie apparaten en 3-fasen bedrijf): uiterst eenvoudig, met dipswitches in de MultiPlus.

- M. u. v. het multifunctionele relais: met een VE.Net paneel of met een PC en gratis software.

- Alle instellingen: met een computer en VEConfigure software, gratis beschikbaar op onze website www.victronenergy.com

2.2 Acculader

Adaptieve 4-traps laadkarakteristieken: bulk – absorptie – float – storage

Het adaptieve accubeheersysteem, aangedreven door een microprocessor, kan worden ingesteld voor verschillende soorten accu's. De adaptieve functie past het laadproces automatisch aan het accugebruik aan.

De juiste hoeveelheid lading: variabele absorptietijd

Bij geringe ontlading van de accu wordt de absorptie kort gehouden om overlading en overmatig gaspen te voorkomen. Na een diepe ontlading wordt de absorptietijd automatisch verlengd om de accu volledig te laden.

Schade wegens overmatige gasvorming voorkomen: begrensd spanningsstijging

Indien, om de laadtijd te verkorten, gekozen wordt voor een hoge laadstroom in combinatie met een hoge absorptiespanning, dan wordt schade wegens overmatige gasvorming worden voorkomen door de stijgingssnelheid van de spanning automatisch te voorkomen wanneer de gasspanning is bereikt.

Minder onderhoud en veroudering wanneer de accu niet wordt gebruikt: de Opslag-functie

De Opslag-functie wordt geactiveerd wanneer de accu gedurende 24 uur niet wordt ontladen. In dat geval wordt de drijfspanning verminderd tot 2,2V/cel (13,2V voor 12V accu) om gasvorming en corrosie van de positieve platen te voorkomen. Eens per week wordt de spanning opnieuw verhoogd tot absorptieniveau om de accu weer 'bij te laden'. Dit voorkomt stratificatie van het elektrolyt en sulfatering, een voorname oorzaak van vroege accustoringen.

Twee DC-uitgangen om twee accu's te laden

De eerste DC-aansluitklem kan de volle uitgangsstroom leveren. De tweede uitgang, bedoeld voor het laden van een startaccu, is begrensd op 4A en heeft een iets lagere uitgangsspanning.

Verhoogde levensduur van de accu: temperatuurcompensatie

De temperatuursensor (meegeleverd bij het product) dient om de laadspanning te verminderen wanneer de accutemperatuur toeneemt. Dit is bijzonder belangrijk voor onderhoudsvrije accu's, die anders mogelijk door overlading uitdrogen.

Accuspanningsdetectie: de juiste laadspanning

Spanningsverlies wegens kabelweerstand kan worden gecompenseerd door de spanningsdetectievoorziening te gebruiken om de spanning rechtstreeks op de DC-bus of op de aansluitklemmen van de accu te meten.

Meer over accu's en laden

In ons boek 'Altijd Stroom' kunt u meer lezen over accu's en het laden van accu's (gratis verkrijgbaar op onze website www.victronenergy.com -> Support & Downloads' -> Algemene Technische Informatie). Voor meer informatie over de adaptieve laadkarakteristiek verwijzen wij u naar 'Algemene Technische Informatie' op onze website

3. Bediening

3.1 On/Off/Charger Only schakelaar

Wanneer de schakelaar op "on" wordt geschakeld werkt het apparaat volledig.

De omvormer zal aanschakelen en de LED "inverter on" zal gaan branden. Als er op de "AC-in" aansluiting spanning wordt aangesloten zal deze na controle en goedkeur worden doorgeschakeld naar de "AC-out" aansluiting. De omvormer wordt uitgeschakeld, de LED "mains on" zal branden en de lader treedt in werking. Afhankelijk van de laadmode die op dat moment van toepassing is zal de LED "bulk", "absorption" of "float" branden.

Als de spanning op de "AC-in" aansluiting wordt afgekeurd zal de omvormer worden ingeschakeld.

Wanneer de schakelaar op "charger only" wordt gezet zal alleen de acculader van de Phoenix Multi aanschakelen indien er netspanning aanwezig is. Deze spanning wordt doorgeschakeld naar de "AC-out" aansluiting.

TIP: Als u uw Phoenix Multi gebruikt op een schip zorg er dan voor dat, als u het schip verlaat, de schakelaar in de positie "charger only" wordt gezet. Hiermee voorkomt u dat bij het wegvallen van de walspanning de omvormer inschakelt en uw accu's leeg raken.

3.2 Afstandsbediening

Afstandsbediening is mogelijk met een drieweg schakelaar of met een Multi Control paneel.

Omdat de beschikbare walstroom vaak beperkt is, kan men met het paneel de maximale laadstroom instellen. De MultiPlus beperkt het eigen verbruik voor het laden wanneer de totale walstroom over het ingestelde maximum dreigt te gaan.

3.3 Egalisatie laden en extra absorptie laden

3.3.1 Egalisatie laden

Het kan voorkomen dat tractie accu's eens in de maand een egalisatie lading nodig hebben. Tijdens egalisatie laden gaat de MultiPlus gedurende een uur met een verhoogde spanning laden (1V boven de Absorptionspanning voor een 12V accu, 2V voor een 24V accu). De laadstroom is dan begrensd op 1/4 van de ingestelde waarde.

De "bulk" en "absorption" LED knipperen afwisselend.



Egalisatie laden geeft een hogere laadspanning dan de meeste gelijkstroomverbruikers aankunnen. Deze moeten worden losgekoppeld tijdens egalisatie laden.

3.3.2 Extra absorptie laden

In sommige omstandigheden kan het wenselijk zijn om de accu voor een vaste tijd met een Absorption spanning te laden. **De "absorption" LED zal dan branden.**

3.3.3 Activeren van egalisatie laden en extra absorptie laden

De MultiPlus is zowel vanaf het remote paneel, als met de frontschakelaar in deze toestanden te brengen. Voorwaarde is wel dat alle schakelaars (front, remote of paneel) op de stand "on" staan en dat er niet een schakelaar op de stand "charger only" staat.

Om de MultiPlus in deze toestand te brengen dient u de stappen te volgen zoals hierna beschreven.

LET OP: het omschakelen van "on" naar "charger only" en andersom zoals hieronder beschreven dient op een snelle manier te gebeuren. De schakelaar moet zodanig omgeschakeld worden dat de middenstand als het ware 'overgeslagen' wordt. Als de desbetreffende schakelaar ook maar even in de stand "off" blijft staan loopt u het risico dat het apparaat uitgezet wordt. In dat geval dient u weer bij stap 1. te beginnen. Met name bij gebruik van de front schakelaar is enige oefening gewenst. Bij gebruik van het remote paneel is dit minder kritisch.

1. Let erop dat alle schakelaars (dus front schakelaar, remote schakelaar of remote paneel schakelaar voor zover aanwezig) in de stand "on" staan.
2. Zorg ervoor dat de Phoenix Multi laadt. De accu dient wel (bijna) volledig geladen te zijn. (Er dient dus een AC-ingangsspanning te zijn, controleer of de "mains on" LED en de "Float" LED brandt.)
3. Zet de schakelaar achtereenvolgens op "charger only", "on" en "charger only". Let op: het omschakelen zelf moet snel gebeuren maar de tijd tussen het omschakelen moet liggen tussen 1/2 seconde en 2 seconden.
4. De "Bulk", "Absorption" en "Float" LED zullen nu 5 keer knipperen. Daarna zullen achtereenvolgens de "Bulk", "Absorption" en "Float" LED elk gedurende 2 seconden branden.
5. a. Indien de schakelaar tijdens het branden van de "Bulk" LED naar "on" gezet wordt, wordt de lader in 'Egalisatie' gezet.
b. Indien de schakelaar tijdens het branden van de "Absorption" LED naar "on" gezet wordt, wordt de lader in 'Extra Absorptie laden' gezet.

Indien na deze stappen de schakelaar niet in de gewenste positie staat kan de schakelaar eenvoudig nog eenmaal snel omgeschakeld worden. Dit zal de laadtoestand niet wijzigen.

3.4 LED aanduidingen en hun betekenis

- LED uit
- LED knippert
- LED brandt

Omvormer

charger		inverter	
<input type="radio"/> mains on	on	<input checked="" type="radio"/> inverter on	
<input type="radio"/> bulk	off	<input type="radio"/> overload	
<input type="radio"/> absorption		<input type="radio"/> low battery	
<input type="radio"/> float	charger only	<input type="radio"/> temperature	

De omvormer staat aan en levert vermogen aan de belasting.

charger		inverter	
<input type="radio"/> mains on	on	<input checked="" type="radio"/> inverter on	
<input type="radio"/> bulk	off	<input checked="" type="radio"/> overload	
<input type="radio"/> absorption		<input type="radio"/> low battery	
<input type="radio"/> float	charger only	<input type="radio"/> temperature	

Het nominale vermogen van de omvormer wordt overschreden. "overload" LED knippert.

charger		inverter	
<input type="radio"/> mains on	on	<input type="radio"/> inverter on	
<input type="radio"/> bulk	off	<input checked="" type="radio"/> overload	
<input type="radio"/> absorption		<input type="radio"/> low battery	
<input type="radio"/> float	charger only	<input type="radio"/> temperature	

De omvormer is uitgeschakeld vanwege overbelasting of kortsluiting.

charger		inverter	
<input type="radio"/> mains on	on	<input checked="" type="radio"/> inverter on	
<input type="radio"/> bulk	off	<input type="radio"/> overload	
<input type="radio"/> absorption		<input checked="" type="radio"/> low battery	
<input type="radio"/> float	charger only	<input type="radio"/> temperature	

De accu is bijna leeg.

charger		inverter	
<input type="radio"/> mains on	on	<input type="radio"/> inverter on	
<input type="radio"/> bulk	off	<input type="radio"/> overload	
<input type="radio"/> absorption		<input checked="" type="radio"/> low battery	
<input type="radio"/> float	charger only	<input type="radio"/> temperature	

De omvormer is uitgeschakeld vanwege te lage accu spanning.

charger		inverter	
<input type="radio"/> mains on	on	<input checked="" type="radio"/> inverter on	
<input type="radio"/> bulk	off	<input type="radio"/> overload	
<input type="radio"/> absorption		<input type="radio"/> low battery	
<input type="radio"/> float	charger only	<input checked="" type="radio"/> temperature	

De temperatuur van de elektronica wordt kritisch.

charger		inverter	
<input type="radio"/> mains on	on	<input type="radio"/> inverter on	
<input type="radio"/> bulk	off	<input type="radio"/> overload	
<input type="radio"/> absorption		<input type="radio"/> low battery	
<input type="radio"/> float	charger only	<input checked="" type="radio"/> temperature	

De omvormer is uitgeschakeld vanwege te hoge temperatuur van de elektronica.

charger		inverter	
<input type="radio"/> mains on	on	<input checked="" type="radio"/> inverter on	
<input type="radio"/> bulk	off	<input checked="" type="radio"/> overload	
<input type="radio"/> absorption		<input checked="" type="radio"/> low battery	
<input type="radio"/> float	charger only	<input type="radio"/> temperature	

-Knipperen de LED's om en om dan is de accu bijna leeg en wordt het nominale vermogen overschreden.
-Als "overload" en "low battery" tegelijk knipperen is er een te hoge rimpelspanning op de accuaansluiting.

charger		inverter	
<input type="radio"/> mains on	on	<input type="radio"/> inverter on	
<input type="radio"/> bulk	off	<input checked="" type="radio"/> overload	
<input type="radio"/> absorption		<input checked="" type="radio"/> low battery	
<input type="radio"/> float	charger only	<input type="radio"/> temperature	

De omvormer is uitgeschakeld vanwege een te hoge rimpelspanning op de accuaansluiting.

Acculader

charger		inverter	
<input checked="" type="radio"/> mains on	on	<input type="radio"/> inverter on	
<input checked="" type="radio"/> bulk	off	<input type="radio"/> overload	
<input type="radio"/> absorption		<input type="radio"/> low battery	
<input type="radio"/> float	charger only	<input type="radio"/> temperature	

De netspanning is doorgeschakeld en de lader laadt in de bulk fase.

charger		inverter	
<input checked="" type="radio"/> mains on	on	<input type="radio"/> inverter on	
<input checked="" type="radio"/> bulk	off	<input type="radio"/> overload	
<input checked="" type="radio"/> absorption		<input type="radio"/> low battery	
<input type="radio"/> float	charger only	<input type="radio"/> temperature	

De netspanning is doorgeschakeld en de lader laadt, maar de ingestelde absorption spanning is nog niet bereikt. (BatterySafe modus)

charger		inverter	
<input checked="" type="radio"/> mains on	on	<input type="radio"/> inverter on	
<input type="radio"/> bulk	off	<input type="radio"/> overload	
<input checked="" type="radio"/> absorption		<input type="radio"/> low battery	
<input type="radio"/> float	charger only	<input type="radio"/> temperature	

De netspanning is doorgeschakeld en de lader laadt in de absorption fase.

charger		inverter	
<input checked="" type="radio"/> mains on	on	<input type="radio"/> inverter on	
<input type="radio"/> bulk	off	<input type="radio"/> overload	
<input type="radio"/> absorption		<input type="radio"/> low battery	
<input checked="" type="radio"/> float	charger only	<input type="radio"/> temperature	

De netspanning is doorgeschakeld en de lader laadt in de float fase.

charger		inverter	
<input checked="" type="radio"/> mains on	on	<input type="radio"/> inverter on	
<input type="radio"/> bulk	off	<input type="radio"/> overload	
<input checked="" type="radio"/> absorption		<input type="radio"/> low battery	
<input type="radio"/> float	charger only	<input type="radio"/> temperature	

De netspanning is doorgeschakeld en de lader laadt in raised absorption.

Speciale aanduidingen

Ingesteld met begrensde ingangsstroom

charger		inverter	
<input checked="" type="radio"/> mains on	on	<input type="radio"/> inverter on	
<input type="radio"/> bulk	off	<input type="radio"/> overload	
<input type="radio"/> absorption		<input type="radio"/> low battery	
<input type="radio"/> float	charger only	<input type="radio"/> temperature	

De netspanning is doorgeschakeld. De AC-ingangsstroom is gelijk aan de belastingsstroom. De lader is teruggeregeld naar 0 A.

Ingesteld om bij te leveren

charger		inverter	
<input checked="" type="radio"/> mains on	on	<input checked="" type="radio"/> inverter on	
<input type="radio"/> bulk	off	<input type="radio"/> overload	
<input type="radio"/> absorption		<input type="radio"/> low battery	
<input type="radio"/> float	charger only	<input type="radio"/> temperature	

De netspanning is doorgeschakeld maar de belasting vraagt meer stroom dan het net kan leveren. De omvormer wordt nu ingeschakeld om de extra stroom bij te leveren.

4. Installatie

4.1 Locatie

De Multi dient in een droge, goed geventileerde ruimte te worden geïnstalleerd zo dicht mogelijk bij de accu's. Rondom het apparaat dient een ruimte van tenminste 10cm te worden vrijgehouden voor koeling.

Een te hoge omgevingstemperatuur heeft de volgende consequenties:



- Kortere levensduur.
 - Lagere laadstroom.
 - Lager piek vermogen of geheel afschakelen van de omvormer.
- Plaats het apparaat nooit direct boven de accu's.

De Multi is geschikt voor wandmontage. Voor de montage zijn haak en aan de achterzijde van de behuizing gaten aangebracht, zie appendix G.

Het apparaat kan zowel horizontaal als verticaal gemonteerd worden maar verticaal monteren verdient de voorkeur. In deze positie is de koeling namelijk optimaal.



De binnenzijde van het apparaat dient ook na installatie goed bereikbaar te blijven.

Zorg ervoor dat de aansluitkabels zijn voorzien van zekeringen en stroomonderbrekers. Houd de afstand tussen de Multi en de accu zo kort mogelijk om het spanningsverlies over de kabels tot een minimum te beperken.



Installeer het product in een hittebestendige omgeving. Voorkom daarom de aanwezigheid van bijvoorbeeld chemicaliën, kunststof onderdelen, gordijnen of ander textiel, etc. in de directe omgeving.

4.2 Aansluiten accukabels

Om de capaciteit van de Multi volledig te kunnen benutten dient uitsluitend gebruik te worden gemaakt van accu's met voldoende capaciteit en van accukabels met de juiste dikte. Zie tabel.

	12/3000/120	24/3000/70	48/3000/35
Aanbevolen accucapaciteit (Ah)	400–1200	200–700	100–400
Aanbevolen DC zekering	400A	300A	125A
Aanbevolen kabeldikte (mm ²)*			
0 – 5 m	2x 50 mm ²	50 mm ²	35 mm ²
5 – 10 m	2x 70 mm ²	2x 50 mm ²	2x 35 mm ²

2x betekend twee 'plus' en twee 'min' kabels

Procedure

Ga bij het aansluiten van de accukabels als volgt te werk:



Om het gevaar van kortsluiting van de accu te voorkomen, dient u een geïsoleerde pijpsleutel te gebruiken. Voorkom kortsluiting van de accukabels.

- Draai de vier schroeven aan de voorzijde van de behuizing los en verwijder het front.
- Sluit de accukabels aan: zie appendix A.
- Draai de moeren stevig aan om overgangsweerstanden zo laag mogelijk te maken.

4.3 Aansluiten AC kabels

Dit is een product uit veiligheidsklasse I. (dat wordt geleverd met een aardklem ter beveiliging) **De in - en/ of uitgangsklemmen en/of het aard punt aan de buitenkant van het product moeten zijn voorzien van een ononderbreekbare aarding ter beveiliging.**



De MultiPlus is voorzien van een aard relais (relais H, zie appendix B) dat de **N uitgang automatisch met de behuizing verbindt wanneer geen externe wisselspanning voeding beschikbaar is.** Wanneer een externe

wisselspanning voeding wordt aangeboden zal het aard relais openen voordat het ingang veiligheids relais sluit. Dit is om goede werking van een op de uitgang aangesloten aardlekschakelaar te verzekeren.

- In een vaste installatie kan een ononderbreekbare aarding verzekerd worden met de aard draad van de wisselspanning ingang. Zoniet, dan moet de behuizing geaard worden.

- In een mobiele installatie (bijvoorbeeld met walstroom stekker) zal onderbreking van de walaansluiting tegelijk ook de aard verbinding verbreken. In dat geval moet de behuizing verbonden worden met het chassis (van het voertuig) of met de romp of aardplaat (van de boot).

- Op boten is de hierboven beschreven verbinding met de aarde van de walaansluiting i. h. a. niet aan te bevelen i. v. m. galvanische corrosie.

De oplossing hiervoor is plaatsing van een isolatie transformator.

Het klemmenblok voor de AC aansluitingen bevindt zich op de printplaat, zie appendix A. De wal- of netaansluiting dient met behulp van een drie-aderige kabel op de Multi te worden aangesloten.

4.3.1 Apparaten met 16A doorschakel capaciteit (bijv. Multi 12/3000/120-16 230V)

- **AC-in**
De AC voeding dient aangesloten te worden op de "AC-in" klemmenstrook.
De AC voeding dient beveiligd te worden met een zekering van ten hoogste 16A, en de kabel doorsnede dient hiervoor geschikt te zijn.
Indien de AC voeding een lagere waarde heeft, dient een bijpassende lagere zekering gekozen te worden.
- **AC-out-1**
De AC uitgangskabel dient aangesloten te worden op het "AC-out" klemmen blok
Mbv de PowerAssist functionaliteit kan de Multi 3kVA (dwz 3000 / 230 = 13A) toevoegen aan de uitgang wanneer veel vermogen wordt gevraagd. De uitgangsstroom kan dus oplopen tot 16 + 13 = 29A. In serie met de uitgang dient een op de belasting aangepaste aardlekschakelaar en zekering geplaatst te worden. De maximaal toegestane waarde is 32A.
- **AC-out-2**
Belastingen die op deze uitgang zijn aangesloten worden afgeschakeld wanneer de MultiPlus als omvormer werkt. Hierdoor kan ongewenst ontladen van de accu door bijvoorbeeld een warmwater boiler of airconditioning worden voorkomen. Het relais valt meteen af wanneer de MultiPlus als omvormer werkt, en komt op met een vertraging van twee minuten. De vertraging is bedoeld om een generator de tijd te geven om te stabiliseren voordat deze zwaar belast wordt.
Maximum stroom: 16A. In serie met AC-out-2 dient een op de belasting aangepaste aardlekschakelaar en zekering geplaatst te worden.
Opmerking: De PowerControl/PowerAssist stroom begrenzing houdt rekening met belasting aangesloten op AC-out-2, maar **niet** met belasting die direct op de AC voeding (bijvoorbeeld een generator, of walstroom) wordt aangesloten.

4.3.2 Apparaten met 50A doorschakel capaciteit (bijv. Multi 12/3000/120-50 230V)

- **AC-in**
De AC voeding dient aangesloten te worden op de "AC-in" klemmenstrook.
De AC voeding dient beveiligd te worden met een zekering van ten hoogste 50A, en de kabel doorsnede dient hiervoor geschikt te zijn.
Indien de AC voeding een lagere waarde heeft, dient een bijpassende lagere zekering gekozen te worden.
- **AC-out-1**
De AC uitgangskabel dient aangesloten te worden op het "AC-out" klemmen blok
Mbv de PowerAssist functionaliteit kan de Multi 3kVA (dwz 3000 / 230 = 13A) toevoegen aan de uitgang wanneer veel vermogen wordt gevraagd. De uitgangsstroom kan dus oplopen tot 50 + 13 = 63A. In serie met de uitgang dient een op de belasting aangepaste aardlekschakelaar en zekering geplaatst te worden. De maximaal toegestane waarde is 63A.
- **AC-out-2**
Zie sectie 4.3.1.

4.4 Aansluitopties

Naast de standaardaansluitingen kunnen er nog een aantal opties worden aangesloten.

4.4.1 Startaccu

De MultiPlus heeft een aansluiting voor het laden van een startaccu. Zie voor het aansluiten appendix A.

4.4.2 Voltage sense

Voor het compenseren van eventuele kabel verliezen tijdens het laden kunnen twee sense draden worden aangesloten waarmee de spanning direct op de accu of op de plus en min verdeel punten gemeten kan worden. Gebruik tenminste 0,75mm² draad.

De MultiPlus zal tijdens het laden van de accu de spanningval over de DC kabels compenseren tot max 1 Volt (1V over de plus aansluiting en 1V over de min aansluiting). Indien de spanningsval groter dreigt te worden dan 1V wordt de laadstroom zodanig begrensd dat de spanningsval beperkt blijft tot 1V.

4.4.3 Temperatuursensor

Voor het temperatuur gecompenseerd laden kan de bijgeleverde temperatuursensor worden aangesloten. (zie appendix 0) De sensor is geïsoleerd en moet op de min pool van de accu worden gemonteerd.

4.4.4 Afstandsbediening

De MultiPlus is op twee manieren op afstand te bedienen.

- Met alleen een externe schakelaar. Werkt alleen als de schakelaar van de Multi op "on" staat.
- Met een afstandsbedieningspaneel. Werkt alleen als de schakelaar van de Multi op "on" staat.

Er mag slechts 1 afstandsbediening aangesloten worden: of een schakelaar, of een paneel.

4.4.5 Programmeerbaar relais

De MultiPlus is voorzien van een programmeerbaar relais, dat standaard is ingesteld als alarm relais. Het relais kan echter voor allerlei andere toepassingen geprogrammeerd worden, bijvoorbeeld als start relais voor een aggregaat.

4.4.6 Afschakelen van belasting bij accubedrijf: AC-out-2

Belastingen die op deze uitgang zijn aangesloten worden afgeschakeld wanneer de AC ingang wegvalt. Hierdoor kan ongewenst ontladen van de accu door bijvoorbeeld een warmwater boiler of airconditioning worden voorkomen.

4.4.7 Parallel schakelen (zie appendix C)

De MultiPlus is parallel te schakelen met meerdere identieke apparaten. Hiertoe wordt een verbinding tussen de apparaten gemaakt met behulp van standaard UTP CAT-5 kabels (UTP Patch leads). Het **systeem** (apparaten samen met eventueel een bedieningspaneel) dient hierna geconfigureerd te worden (zie hoofdstuk 5).

Bij parallel schakelen moet aan de volgende voorwaarden voldaan worden:

- Maximaal zes units parallel.
- Schakel alleen identieke apparaten qua type en vermogen parallel.
- De DC aansluitkabels naar de apparaten moeten allemaal even lang zijn en dezelfde doorsnede hebben.
- Indien een plus en min DC distributiepunt wordt gebruikt, moet de doorsnede van de aansluiting tussen de accu's en het DC distributiepunt minstens gelijk zijn aan de som van de vereiste doorsneden van de aansluitingen tussen het distributiepunt en de MultiPlus's.
- Plaats de MultiPlus's dicht bij elkaar maar zorg voor minimaal 10 cm ventilatieruimte onder, boven en op zij van de units.
- De UTP kabels dienen steeds direct van de ene unit op een andere unit aangesloten te worden (en op het remote paneel). Er mag **geen gebruik** gemaakt worden van aansluit/splitter boxen.
- Op het systeem hoeft maar bij één unit een accu-temperatuursensor aangesloten te worden. Indien U de temperatuur van meerdere accu's wilt meten kunt U ook de sensoren van andere MultiPlus's in het systeem aansluiten (max. 1 sensor per MultiPlus). De temperatuur compensatie tijdens acculaden reageert dan op de sensor die de hoogste temperatuur meet.
- Voltage sense moet op de 'Master' aangesloten worden (zie paragraaf 5.5.1.4).
- Er kan maar één afstandsbediening (paneel of schakelaar) op het **systeem** aangesloten worden.

4.4.8 Drie-fase configuratie (zie appendix D)

De MultiPlus kan ook gebruikt worden in een 3-fase net. Hiertoe wordt een verbinding tussen de apparaten gemaakt met behulp van standaard UTP CAT-5 kabels (dezelfde als voor parallel bedrijf). Het **systeem** (apparaten samen met eventueel een paneel) dient hierna geconfigureerd te worden (zie hoofdstuk 5).

Voorwaarden: zie paragraaf 4.4.7

5. Instellingen



- Het wijzigen van de instellingen mag alleen worden uitgevoerd door een gekwalificeerde elektrotechnicus.
- Lees voor het wijzigen goed de instructies.
- Tijdens het instellen van de lader moet er geen AC ingangsspanning aangeboden worden.

5.1 Standaard instellingen: klaar voor gebruik

De MultiPlus wordt geleverd met standaard instellingen. Deze zijn in het algemeen geschikt voor toepassing van 1 apparaat. Er hoeft dan niets ingesteld te worden.

Waarschuwing: mogelijk is de standaard acculaadspanning niet geschikt voor uw accu's! Raadpleeg de documentatie van uw accu's of vraag advies bij uw accu leverancier!

MultiPlus standaard fabrieksinstellingen

Omvormer frequentie	50 Hz
Input frequency range	45 – 65 Hz
Input voltage range	180 -265 VAC
Omvormer spanning	230 VAC
Stand alone / parallel / 3-fase	stand alone
AES (Automatic Economy Switch)	off
Ground relay	on
Lader on/ off	on
Laad karakteristieken	vier traps Adaptive met BatterySafe mode
Laadstroom	75% van de maximum laadstroom
Accu type	Victron Gel Deep Discharge (ook geschikt voor Victron AGM Deep Discharge)
Automatisch egalisatie laden	off
Absorption spanning	14.4/ 28.8/ 57.6 V
Absorption tijd	tot 8 uur (afhankelijk van bulk tijd)
Float spanning	13.8 / 27.6 / 55.2 V
Storage spanning	13,2 / 26,4 / 52,8V (niet instelbaar)
Herhaalde Absorption Tijd	1 uur
Herhaald Absorption Interval	7 dagen
Bulk Beveiliging	on
AC in stroomgrens	50A of 16A (= stroomgrens tbv PowerControl en PowerAssist functies)
UPS function	on
Dynamic current limiter	off
WeakAC	off
BoostFactor	2
Programmeerbaar relais	alarm functie
Tweede uitgang met afschakelrelais	Maximale belasting 16A
PowerAssist	on

5.2 Verklaring instellingen

Hieronder volgt een korte verklaring van de instellingen voor zover die niet vanzelfsprekend zijn. Meer informatie is te vinden in de help files van de software configuratie programma's (zie paragraaf 5.3).

Omvormer frequentie

Uitgangsfrequentie wanneer er geen AC op de ingang aanwezig is.
Instelbaar: 50Hz; 60Hz

Input frequency range

Ingang frequentie bereik dat door de MultiPlus geaccepteerd wordt. De MultiPlus synchroniseert binnen dit bereik met de frequentie van de op de AC ingang aanwezige spanning. De frequentie op de uitgang is dan gelijk aan de frequentie op de ingang.
Instelbaar: 45 – 65 Hz; 45 – 55 Hz; 55 – 65 Hz

Input voltage range

Spanning bereik dat door de MultiPlus geaccepteerd wordt. De MultiPlus synchroniseert binnen dit bereik met de op AC ingang aanwezige spanning. De spanning op de uitgang is dan gelijk aan de spanning op de ingang.
Instelbaar:
Ondergrens 180 - 230V
Bovengrens 230 - 270V

Opmerking:

De fabrieksinstelling van de ondergrens 180V. Dit is de juiste instelling voor aansluiting op een instabiele netspanning of generator. Indien de Multi(s) op een 'brushless, self excited, externally voltage regulated, synchronous AC generator' (synchronous AVR generator) aangesloten is (zijn) kan deze instelling tot gevolg hebben dat het systeem uitschakelt wanneer de generator wordt uitgezet. De oorzaak is de AVR die 'probeert' de uitgangsspanning van de generator op 230V te houden terwijl het toerental afneemt. De oplossing is verhoging van de ondergrens tot 210V (AVR generatoren hebben meestal een zeer stabiele uitgangsspanning), of om tussen de generator en de Multi(s) een magneetschakelaar te plaatsen die afschakeld zodra de generator een stop signaal krijgt. De meeste generatoren met een vermogen van meer dan 10kVA zijn van het AVR type.

Omvormer spanning

Uitgangsspanning van de MultiPlus bij accu bedrijf.
Instelbaar: 210 – 245V

Stand alone / parallel operation

Met meerdere apparaten is het mogelijk om:

- het totale omvormer vermogen te vergroten (meerdere apparaten parallel)
- een 3-fase systeem te maken

Hier toe moeten de apparaten onderling verbonden worden met RJ45 UTP bekabeling. Daarnaast moeten de apparaten geconfigureerd worden.

AES (Automatic Economy Switch)

Wanneer deze instelling op 'on' gezet wordt het stroomverbruik bij nullast en lage belasting met ca. 20% verlaagt, door de sinusspanning wat te 'versmallen'.
Uitsluitend toepasbaar in stand alone configuratie.

Search mode

In plaats van AES kan ook de 'search mode' gekozen worden.

Met de search mode wordt het nullast stroomverbruik met ongeveer 70% verlaagd. De search mode houdt in dat de MultiPlus uit schakeld wanneer er geen belasting is of wanneer deze heel laag is. Iedere 2 seconden zal de MultiPlus even aan schakelen. Als de belasting dan de ingestelde waarde overschrijdt blijft de Multi aan. Zo niet, dan gaat de Multi weer uit.

De 'uit' en 'aan' belasting niveau's kunnen ingesteld worden met VEConfigure.

De fabrieksinstelling is:

'UIT': 40 Watt

'AAN': 100 Watt

Niet instelbaar met DIP switches. Uitsluitend toepasbaar in stand alone configuratie.

Ground relay (zie appendix B)

Met dit relais wordt de nul geleider van de AC uitgang aan de kast geaard wanneer de teruglever veiligheidsrelais in de AC ingangen open is. Dit om de correcte werking van aardlek schakelaars in de uitgang te verzekeren.

- Indien een niet geaarde uitgang gewenst is tijdens omvormer bedrijf, moet deze functie uit gezet worden. (Zie ook par. 4.5)
Niet instelbaar met DIP switches.
- De modellen met 50A doorschakel capaciteit hebben een aansluiting voor een extern aard relais (tbv 'split phase' schakeling met externe autotransformator)

Laad karakteristieken

De standaard instelling is 'vier traps Adaptive met BatterySafe mode'. Zie hoofdstuk 2 voor een beschrijving.

Dit is de beste laad karakteristiek. Zie de help files van de software configuratie programma's voor andere mogelijkheden.

Met DIP switches kan voor de 'fixed' mode gekozen worden.

Accu type

De standaard instelling is meest geschikt voor Victron Gel Deep Discharge, Gel Exide A200, en buisjes plaat stationaire accu's (tubular plate stationary batteries (OPzS)). Deze instelling kan ook voor vele andere accu's gebruikt worden: bijvoorbeeld Victron AGM Deep Discharge en andere AGM accu's, en vele soorten vlakke plaat open accu's.

Met DIP switches kunnen vier laadspanningen ingesteld worden.

Met VEConfigure kan voor elke accu (bijv. Nickel Cadmium, of Lithium-ion) de juiste laad karakteristiek geprogrammeerd worden.

Automatisch egalisatie laden

Deze instelling is bedoeld voor buisjesplaat tractie accu's of OpzV accu's. Bij deze instelling wordt de maximale absorptie spanning verhoogd tot 2,83V/cel (34V voor een 24V accu) nadat tijdens absorptie laden de stroom is gedaald tot minder dan 10% van de ingestelde maximum stroom.

Niet instelbaar met DIP switches.

Zie 'tubular plate traction battery charge curve' in VEConfigure.

Absorption tijd

Deze is afhankelijk van de bulk tijd (Adaptive laad karakteristiek), zodat de accu optimaal geladen wordt. Indien voor de 'fixed' laad karakteristiek gekozen wordt is de absorption tijd vast. Voor de meeste accu's is 8 uur maximum absorption tijd geschikt. Indien t.b.v. snel laden een extra hoge absorptie spanning is gekozen (kan alleen bij open accu's!) is 4 uur beter.

Met DIP switches kan een tijd van 8 uur of 4 uur ingesteld worden. Voor de Adaptive laad karakteristiek wordt hiermee de maximale absorption tijd bepaald.

Storage spanning, Herhaalde Absorption Tijd, Herhaald Absorption Interval

Zie hoofdstuk 2

Niet instelbaar met DIP switches.

Bulk Beveiliging

Wanneer deze instelling op 'on' staat wordt de bulk laadtijd begrensd op max. 10 uur. Een langere laadtijd zou kunnen duiden op een systeem fout (bijvoorbeeld een kortgesloten accu cel).

Niet instelbaar met DIP switches.

AC-in stroomgrens

Dit is de stroomgrens instelling waarbij PowerControl en PowerAssist in werking treden.

Instelling bereik:

- Van 2,3A tot 16A voor de modellen met maximaal 16A doorschakel capaciteit
- Van 5,3A tot 50A voor de modellen met maximaal 50A doorschakel capaciteit.

De fabrieksinstelling is altijd de maximale waarde (16A of 50A).

Zie hoofdstuk 2, het boek 'Altijd Stroom', of de vele beschrijvingen van deze unieke functie op onze web site www.victronenergy.com.

UPS function

Wanneer deze instelling op 'on' staat schakelt de MultiPlus praktisch zonder onderbreking naar omvormerbedrijf wanneer de AC op de ingang wegvalt. De MultiPlus is dan toe te passen als Uninterruptible Power Supply (UPS of onderbrekingsvrije voeding) voor gevoelige apparatuur zoals computers of communicatie systemen.

De uitgangsspanning van sommige kleine aggregaten is te instabiel en te vervormd voor gebruik van deze instelling: de MultiPlus zou voortdurend omschakelen naar omvormer bedrijf. Daarom kan er voor gekozen worden om deze instelling uit te zetten. Dan reageert de MultiPlus minder snel op afwijkingen van de spanning op AC-in-1 of AC-in-2. Hierdoor wordt de omschakeltijd naar omvormer bedrijf wat langer, maar de meeste apparatuur (de meeste computers, klokken van huishoudelijke apparatuur) ondervindt hier geen hinder van.

Advies: UPS function uit zetten wanneer de MultiPlus niet wil synchroniseren of voortdurend terugschakelt naar omvormer bedrijf.

Dynamic current limiter

Bedoeld voor generatoren waarbij de wisselspanning wordt opgewekt met behulp van een statische omvormer (zogenaamde 'inverter' generatoren). Bij deze generatoren wordt het toerental teruggeregeld wanneer de belasting laag is: dat beperkt lawaai, brandstof verbruik en vervuiling. Nadeel is dat de uitgangsspanning sterk zal zakken of zelfs helemaal wegvalt bij een plotselinge verhoging van de belasting. Meer belasting kan pas geleverd worden nadat de motor op toeren is.

Wanneer deze instelling op 'on' gezet wordt zal de MultiPlus beginnen met bijleveren op een lage stroom en de bijlevergrens geleidelijk verhogen naar de ingestelde stroom. Hierdoor krijgt de motor van de generator de tijd om op toeren te komen.

Deze instelling wordt ook vaak toegepast bij 'klassieke' generatoren die traag reageren op plotselinge belasting variaties.

WeakAC

De ingangsstroom van de lader van de MultiPlus is sinusvormig (PF=1 bedrijf). Sterke vervorming van de ingangsspanning kan tot gevolg hebben dat de lader niet of nauwelijks werkt. Wanneer WeakAC wordt aangezet accepteert de lader ook een sterk vervormde spanning, ten koste van meer vervorming van de opgenomen stroom.

Advies: WeakAC aanzetten wanneer de lader niet of nauwelijks laadt (dit komt overigens zelden voor!). Zet tegelijk ook de 'dynamic current limiter' aan en reduceer desnoods de maximale laadstroom om overbelasting van de generator te voorkomen.

Opmerking: wanneer WeakAC geactiveerd is, wordt de maximum laadstroom met ongeveer 20% verminderd.

Niet instelbaar met DIP switches.

BoostFactor

Deze instelling alleen wijzigen na overleg met Victron Energy of een door Victron Energy getrainde installateur!

Niet instelbaar met DIP switches.

Programmeerbaar relais

Het programmeerbare relais is standaard ingesteld als alarm relais, d.w.z. dat het relais afvalt i.g.v. een alarm of een voor-alarm (omvormer bijna te warm, rimpel op de ingang bijna te hoog, accuspanning bijna te laag).

Niet instelbaar met DIP switches.

Extra uitgang voor afschakelen niet kritische belasting

Belastingen die op deze uitgang zijn aangesloten worden afgeschakeld wanneer de MultiPlus als omvormer werkt. Hierdoor kan ongewenst ontladen van de accu door bijvoorbeeld een warmwater boiler of airconditioning worden voorkomen.

5.3 Instellingen wijzigen met een computer

Alle instellingen kunnen met behulp van een computer of met een VE.Net paneel worden gewijzigd (uitzondering VE.Net: het multifunctionele relais en de VirtualSwitch).

Veel gebruikte instellingen (inclusief parallel en 3-fase bedrijf tot 3 apparaten) kunnen gewijzigd worden door middel van dipswitches, zie par. 5.5.

Voor het wijzigen van instellingen met de computer heeft u het volgende nodig:

- VEConfigureII software. U kunt de VEConfigureII software gratis downloaden van www.victronenergy.com.
- Een UTP kabel en de **MK2.2b** RS-485 naar RS232 interface. Indien uw computer geen RS232 aansluiting heeft, maar wel USB, heeft u ook een **RS232 naar USB interface kabel** nodig. Beide zijn verkrijgbaar bij Victron Energy.

5.3.1 VE.Bus Quick Configure Setup

VE.Bus Quick Configure Setup is een software programma waarmee systemen met maximaal 3 Multi's (parallel of drie fase bedrijf) op eenvoudige wijze geconfigureerd kunnen worden. VEConfigureII maakt deel uit van dit programma.

U kunt de software gratis downloaden van www.victronenergy.com.

Voor aansluiting op uw computer heeft u een UTP kabel en de **MK2.2b** RS485 naar RS232 interface nodig.

Indien uw computer geen RS232 aansluiting heeft, maar wel USB, heeft u ook een **RS232 naar USB interface kabel** nodig.

Beide zijn verkrijgbaar bij Victron Energy.

5.3.2 VE.Bus System Configurator

Voor het configureren van geavanceerde toepassingen en/of systemen met 4 Multi's of meer moet de software **VE.Bus System Configurator** gebruikt worden. U kunt de software downloaden van www.victronenergy.com. VEConfigureII maakt deel uit van dit programma.

Voor aansluiting op uw computer heeft u een UTP kabel en de **MK2.2b** RS-485 naar RS232 interface nodig.

Indien uw computer geen RS232 aansluiting heeft, maar wel USB, heeft u ook een **RS232 naar USB interface kabel** nodig.

Beide zijn verkrijgbaar bij Victron Energy.

5.4 Instellen met een VE.Net paneel

Hiervoor heeft U een VE.Net paneel en de 'VE.Net to VE.Bus converter' nodig.

Met VE.Net kunt u alle parameters instellen, met uitzondering van het multifunctionele relais en de VirtualSwitch.

5.5 Instellen met DIP switches

Introductie

Een aantal instellingen kan gewijzigd worden door middel van DIP switches (zie appendix A, positie M).

Dit gaat als volgt:

Schakel de MultiPlus aan, bij voorkeur zonder belasting en zonder wisselspanning op de ingangen. De MultiPlus werkt dan in omvormer bedrijf.

Stap 1: instellen van de DIP switches voor

- De gewenste stroom begrenzing van de AC ingangen.
- AES (Automatic Economy Switch)
- Begrenzing van de laadstroom.
- Keuze 'stand alone / parallel / 3-fase' bedrijf.

Nadat de gewenste waardes correct zijn ingesteld: druk gedurende 2 seconden op het "up" knopje (**bovenste** knopje rechts van de DIP switches, zie appendix A, positie K) om de ingestelde waardes op te slaan.

U kunt de DIP switches nu opnieuw gebruiken voor de overige instellingen (stap 2).

Stap 2: overige instellingen

Nadat de gewenste waardes zijn ingesteld: druk gedurende 2 seconden op het 'down' knopje (**onderste** knopje rechts naast de DIP switches) om de ingestelde waardes op te slaan.

U kunt de DIP switches vervolgens in de gekozen posities laten staan, zodat u de 'overige instellingen' altijd terug kunt vinden.

Opmerkingen:

- De functie van de DIP switches wordt 'van boven naar beneden' beschreven. Omdat de bovenste DIP switch ook het hoogste nummer heeft (nummer 8) begint de beschrijving bij nummer 8.
- Bij parallel bedrijf of 3-fase bedrijf hoeven niet alle instellingen op alle apparaten gedaan te worden, zie hiervoor paragraaf 5.5.1.4. Lees in geval van parallel bedrijf of 3-fase bedrijf de gehele instel procedure en schrijf de gewenste instelling op voor dat U de DIP switches instelt.

Stap-voor-stap omschrijving:

5.5.1 Stap 1

5.5.1.1 Stroom begrenzing AC ingang (fabrieksinstelling: 16A voor modellen met max.16A doorschakelstroom en 50A voor modellen met max. 50A doorschakelstroom)

Als de gevraagde stroom (belasting + acculader van de MultiPlus) groter dreigt te worden dan de ingestelde stroom, zal de MultiPlus eerst de laadstroom verminderen (PowerControl), en vervolgens vermogen bijleveren uit de accu (PowerAssist).

De stroom grens kan met DIP switches ingesteld worden op 8 verschillende waardes.

U kunt de stroombegrenzing ook traploos instellen met een Multi Control Paneel.

Procedure

AC in kan ingesteld worden met DIP switch ds8, ds7 en ds6 (maximum waarde begrensd op 16A voor modellen met max. 16A doorschakelstroom).

Procedure: stel de DIP switches op de gewenste waarde:

ds8	ds7	ds6	
off	off	off	= 6A (1,4kVA bij 230V)
off	off	on	= 10A (2,3kVA bij 230V)
off	on	off	= 12A (2,8kVA bij 230V)
off	on	on	= 16A (3,7kVA bij 230V)
on	off	off	= 20A (4,6kVA bij 230V) (alleen modellen met 50A doorschakelstroom)
on	off	on	= 25A (5,7kVA bij 230V) (alleen modellen met 50A doorschakelstroom)
on	on	off	= 30A (6,9kVA bij 230V) (alleen modellen met 50A doorschakelstroom)
on	on	on	= 50A (11,5kVA bij 230V) (alleen modellen met 50A doorschakelstroom)

Opmerking:

Het door de fabrikant opgegeven continu vermogen van kleine generatoren is soms aan de zeer optimistische kant. De stroomgrens moet dan veel lager ingesteld worden dan uit de gegevens van de fabrikant blijkt.

5.5.1.2 AES (Automatic Economy Switch)

ds5

- off = AES uit
- on = AES aan

5.5.1.3 Laadstroom begrenzing (standaard instelling 75%)

Accu's hebben de langste levensduur wanneer geladen wordt met een stroom van 10% tot 20% van de capaciteit in Ah.

Voorbeeld: optimale laadstroom van een accubank 24V/500Ah: 50A tot 100A.

De meegeleverde temperatuur sensor zorgt voor automatische aanpassing van de laadspanning aan de temperatuur van de accu.

Indien U sneller, en dus met veel hogere stroom wilt laden:

- Moet in ieder geval de meegeleverde temperatuur sensor op de accu aangebracht worden. Snel laden kan namelijk een aanzienlijke temperatuur verhoging van de accubank tot gevolg hebben. Met behulp van de temperatuur sensor wordt de laadspanning aangepast (d.w.z. verlaagd) aan de hogere temperatuur.
- Wordt de bulk laadtijd soms zo kort dat laden met een vast ingestelde absorptie tijd beter werkt ('fixed' absorption tijd, zie ds5, stap 2).

Procedure

De accu laadstroom kan ingesteld worden in 4 stappen met DIP switch ds4 en ds3 (standaard instelling: 75%).

ds4 ds3

off	off = 25%
off	on = 50%
on	off = 75%
on	on = 100%

Opmerking: wanneer WeakAC geactiveerd is, wordt de maximum laadstroom van 100% naar ongeveer 80% verminderd.

5.5.1.4 Stand alone / parallel bedrijf / 3-fase bedrijf

Met DIP switches ds2 en ds1 kunnen drie systeem configuraties gekozen worden

LET OP:

- Alle eenheden in een parallel of driefase systeem moeten op dezelfde accu worden aangesloten. De DC- en AC-bekabeling van alle eenheden moet dezelfde lengte en doorsnede hebben.
- Tijdens het configureren van een parallel of 3-fase systeem moeten alle betreffende apparaten aan elkaar gekoppeld zijn met RJ45 UTP bekabeling (zie appendix C, D). Alle apparaten moeten aangeschakeld zijn. Na aanschakelen zullen de apparaten een foutcode geven (zie hoofdstuk 7) omdat ze nog als 'stand alone' geconfigureerd zijn en constateren dat ze in een systeem opgenomen zijn. Deze foutmelding kan veilig genegeerd worden.
- Het opslaan van de instellingen (door het 'up' knopje (stap 1) en later het 'down' knopje (stap 2) gedurende 2 seconden ingedrukt te houden) moet op slechts één apparaat gebeuren. Het apparaat waarop dit gebeurd is de 'Master' in een parallel systeem of de 'Leader' (L1) in een 3-fase systeem.
Bij een parallel systeem zijn de instellingen van de DIP switches ds8 tot ds3 niet van belang voor de overige apparaten (de Slaves).
(de Slaves volgen dus exact de Master, vandaar de benaming Master en Slave)
Bij een 3-fase systeem moeten wel een aantal instellingen gedaan worden op de overige apparaten (de Followers, voor de fasen L2 en L3).
(de Followers volgen dus de Leader dus niet voor alle instellingen, vandaar de benaming Leader en Follower)
- Een wijziging in de instelling 'stand alone / parallel / 3-fase' wordt pas actief na opslaan en na uit- en weer aanzetten van alle apparaten. Voor het correct opstarten van een VE.Bus systeem moeten dus, na het opslaan van de instellingen, alle apparaten eerst weer uitgeschakeld worden. Daarna kunnen, in een willekeurige volgorde, de apparaten aangeschakeld worden. Het systeem start niet zolang niet alle apparaten aangeschakeld zijn.
- Let op dat alleen identieke apparaten in een systeem opgenomen worden. Indien men, per abuis, toch probeert om verschillende modellen tezamen als systeem te laten configureren zal dit mislukken. Mogelijk werken de apparaten dan pas weer correct nadat ze stuk voor stuk op 'stand alone' geconfigureerd zijn.

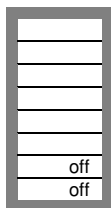
Voor de keuze stand alone / parallel bedrijf / 3 fase bedrijf zijn de DIP switches ds2 en ds1 gereserveerd

De combinatie ds2=on en ds1=on wordt niet gebruikt.

Stand alone bedrijf

Stap 1, instelling ds2 en ds1 voor stand alone bedrijf:

- DS-8 AC-in-1 Instellen als gewenst
- DS-7 AC-in-1 Instellen als gewenst
- DS-6 AC-in-1 Instellen als gewenst
- DS-5 AES Instellen als gewenst
- DS-4 Laadstroom Instellen als gewenst
- DS-3 Laadstroom Instellen als gewenst
- DS-2 Stand alone bedrijf
- DS-1 Stand alone bedrijf



Hieronder enkele voorbeelden van DIP switch instellingen voor stand alone bedrijf

Voorbeeld 1 is de fabrieksinstelling (de DIP switches van een nieuw product staan overigens allemaal in de 'off' stand omdat de fabrieksinstelling per computer is ingevoerd).

Belangrijk: Wanneer een paneel is aangesloten wordt de stroomgrens van AC ingang bepaald door het paneel, en niet door de in de MultiPlus opgeslagen waarde.

Vier voorbeelden van stand alone instellingen:

DS-8 AC-in-1 <input type="checkbox"/> on DS-7 AC-in-1 <input type="checkbox"/> on DS-6 AC-in-1 <input type="checkbox"/> on DS-5 AES <input type="checkbox"/> off DS-4 Laadstroom <input type="checkbox"/> on DS-3 Laadstroom <input type="checkbox"/> off DS-2 Stand alone <input type="checkbox"/> off DS-1 Stand alone <input type="checkbox"/> off	DS-8 <input type="checkbox"/> on DS-7 <input type="checkbox"/> on DS-6 <input type="checkbox"/> on DS-5 <input type="checkbox"/> off DS-4 <input type="checkbox"/> on DS-3 <input type="checkbox"/> on DS-2 <input type="checkbox"/> off DS-1 <input type="checkbox"/> off	DS-8 <input type="checkbox"/> off DS-7 <input type="checkbox"/> on DS-6 <input type="checkbox"/> on DS-5 <input type="checkbox"/> off DS-4 <input type="checkbox"/> on DS-3 <input type="checkbox"/> on DS-2 <input type="checkbox"/> off DS-1 <input type="checkbox"/> off	DS-8 <input type="checkbox"/> on DS-7 <input type="checkbox"/> on DS-6 <input type="checkbox"/> off DS-5 <input type="checkbox"/> on DS-4 <input type="checkbox"/> off DS-3 <input type="checkbox"/> on DS-2 <input type="checkbox"/> off DS-1 <input type="checkbox"/> off
Stap 1, stand alone Voorbeeld 1 (fabr. instel.) 8, 7, 6 AC-in: 50A* 5 AES: off 4, 3 Laadstroom: 75% 2, 1 Stand alone bedrijf	Stap 1, st. alone Voorbeeld 2: 8, 7, 6 AC-in: 50A* 5 AES: off 4, 3 Laadstr.: 100% 2, 1 Stand alone	Stap 1, st. alone Voorbeeld 3: 8, 7, 6 AC-in: 16A 5 AES: off 4, 3 Laadstr.: 100% 2, 1 Stand alone	Stap 1, st. alone Voorbeeld 4: 8, 7, 6 AC-in: 30A* 5 AES: on 4, 3 Laadstr.: 50% 2, 1 Stand alone

Bij de modellen met 16A doorschakel capaciteit wordt de AC-in stroomgrens automatisch begrensd op max. 16A

Nadat de gewenste waarden zijn ingesteld: druk gedurende 2 seconden op het 'up' knopje (bovenste knopje rechts van de DIP switches, zie appendix A, positie K) om de ingestelde waarden op te slaan. **De LED's overload en low-battery zullen knipperen als de instellingen zijn geaccepteerd.**

Wij raden u aan om de instellingen op papier te zetten en goed te bewaren!

U kunt de DIP switches nu opnieuw gebruiken voor de overige instellingen (stap 2).

Parallel bedrijf (appendix C)

Stap 1, instelling ds2 en ds1 voor parallel bedrijf:

Master	Slave 1	Slave 2 (optioneel)
DS-8 AC-in-1 Inst. als gewenst	DS-8 Niet rel.	DS-8 Niet rel.
DS-7 AC-in-1 Inst. als gewenst	DS-7 Niet rel.	DS-7 Niet rel.
DS-6 AC-in-1 Inst. als gewenst	DS-6 Niet rel.	DS-6 Niet rel.
DS-5 AES Niet relevant	DS-5 Niet rel.	DS-5 Niet rel.
DS-4 Laadstr. Inst. als gewenst	DS-4 Niet rel.	DS-4 Niet rel.
DS-3 Laadstr. Inst. als gewenst	DS-3 Niet rel.	DS-3 Niet rel.
DS-2 Master	DS-2 Slave 1	DS-2 Slave 2
DS-1 Master	DS-1 Slave 1	DS-1 Slave 2

De ingestelde stromen (AC stroombegrenzing en laadstroom) worden vermenigvuldigd met het aantal apparaten. De ingestelde AC stroombegrenzing met een Remote Paneel komt echter altijd overeen met de aangegeven waarde op het paneel en wordt **niet** vermenigvuldigd met het aantal apparaten.

Voorbeeld, 9kVA parallelsysteem:

- Indien op de Master de AC stroombegrenzing op 20A ingesteld wordt en het is een systeem met 3 apparaten, dan wordt de effectieve systeem stroombegrenzing voor gelijk aan $3 \times 20 = 60A$. (instelling voor vermogen $60 \times 230 = 13,8kVA$).
- Indien op de Master een 30A paneel wordt aangesloten, dan is de systeem stroombegrenzing regelbaar tot maximaal 30A, onafhankelijk van het aantal apparaten.
- Indien op de Master de laadstroom ingesteld wordt op 100% (70A voor een MultiPlus 24/3000/70) en het is een systeem met 3 apparaten, dan wordt de effectieve systeem laadstroom gelijk aan $3 \times 70 = 210A$.

Hieronder de instellingen volgens het voorbeeld (9kVA parallel systeem met 30A Multi Control Paneel):

Master	Slave 1	Slave 2
DS-8 30A paneel	DS-8 Niet relevant	DS-8 Niet relevant
DS-7 30A paneel	DS-7 Niet relevant	DS-7 Niet relevant
DS-6 30A paneel	DS-6 Niet relevant	DS-6 Niet relevant
DS-5 AES niet relevant	DS-5 Niet relevant	DS-5 Niet relevant
DS-4 Laadstr. 3x70A	DS-4 Niet relevant	DS-4 Niet relevant
DS-3 Laadstr. 3x70A	DS-3 Niet relevant	DS-3 Niet relevant
DS-2 Master	DS-2 Slave 1	DS-2 Slave 2
DS-1 Master	DS-1 Slave 1	DS-1 Slave 2

Nadat de gewenste waardes zijn ingesteld: druk gedurende 2 seconden op het 'up' knopje (**bovenste** knopje rechts van de DIP switches, zie appendix A, positie K) van de **Master** om de ingestelde waardes op te slaan. **De LED's overload en low-battery zullen knipperen als de instellingen zijn geaccepteerd.**

Wij raden u aan om de instellingen op papier te zetten en goed te bewaren!

U kunt de DIP switches nu opnieuw gebruiken voor de overige instellingen (stap 2).

Drie fase bedrijf (appendix D)

Stap 1: instelling ds2 en ds1 voor 3-fase bedrijf:

Leader (L1)	Follower (L2)	Follower (L3)
DS-8 AC in Inst. als gew. <input type="checkbox"/>	DS-8 Inst. als gew. <input type="checkbox"/>	DS-8 Inst. als gew. <input type="checkbox"/>
DS-7 AC in Inst. als gew. <input type="checkbox"/>	DS-7 Inst. als gew. <input type="checkbox"/>	DS-7 Inst. als gew. <input type="checkbox"/>
DS-6 AC in Inst. als gew. <input type="checkbox"/>	DS-6 Inst. als gew. <input type="checkbox"/>	DS-6 Inst. als gew. <input type="checkbox"/>
DS-5 AES Niet relevant <input type="checkbox"/>	DS-5 Niet relevant <input type="checkbox"/>	DS-5 Niet relevant <input type="checkbox"/>
DS-4 Laadstr. Inst. als gew. <input type="checkbox"/>	DS-4 Niet relevant <input type="checkbox"/>	DS-4 Niet relevant <input type="checkbox"/>
DS-3 Laadstr. Inst. als gew. <input type="checkbox"/>	DS-3 Niet relevant <input type="checkbox"/>	DS-3 Niet relevant <input type="checkbox"/>
DS-2 Leader <input type="checkbox"/> on	DS-2 Follower 1 <input type="checkbox"/> off	DS-2 Follower 2 <input type="checkbox"/> off
DS-1 Leader <input type="checkbox"/> off	DS-1 Follower 1 <input type="checkbox"/> off	DS-1 Follower 2 <input type="checkbox"/> on

Zoals uit de bovenstaande tabel blijkt dienen de stroom grenzen voor elke fase afzonderlijk ingesteld te worden (ds8 t/m ds6). U kunt dus verschillende stroom grenzen kiezen per fase.

Indien een paneel aangesloten wordt is de stroom grens voor alle fases gelijk aan de op het paneel ingestelde waarde.

De max. laadstroom is voor alle apparaten gelijk en wordt ingesteld op de Leader (ds4 en ds3).

Voorbeeld:

- AC in stroombegrenzing op de Leader en op de Followers: 12A. (instelling voor vermogen $12 \times 230 \times 3 = 8,3\text{kVA}$)
- Indien op de Leader de laadstroom ingesteld wordt op 100% (70A voor een MultiPlus 24/3000/70) en het is een systeem met 3 apparaten dan, wordt de effectieve systeem laadstroom gelijk aan $3 \times 70 = 210\text{A}$.

Hieronder de instellingen volgens het voorbeeld (9kVA 3-fase systeem zonder Multi Control panel):

Leader (L1)	Follower (L2)	Follower (L3)
DS-8 AC-in-1 (12A) <input type="checkbox"/> off	DS-8 AC-in-1 (12A) <input type="checkbox"/> off	DS-8 AC-in-1 (12A) <input type="checkbox"/> off
DS-7 AC-in-1 (12A) <input type="checkbox"/> on	DS-7 AC-in-1 (12A) <input type="checkbox"/> on	DS-7 AC-in-1 (12A) <input type="checkbox"/> on
DS-6 AC-in-1 (12A) <input type="checkbox"/> off	DS-6 AC-in-1 (12A) <input type="checkbox"/> off	DS-6 AC-in-1 (12A) <input type="checkbox"/> off
DS-5 AES niet relevant <input type="checkbox"/>	DS-5 Niet relevant <input type="checkbox"/>	DS-5 Niet relevant <input type="checkbox"/>
DS-4 Laadstroom 3x70A <input type="checkbox"/> on	DS-4 Niet relevant <input type="checkbox"/>	DS-4 Niet relevant <input type="checkbox"/>
DS-3 Laadstroom 3x70A <input type="checkbox"/> on	DS-3 Niet relevant <input type="checkbox"/>	DS-3 Niet relevant <input type="checkbox"/>
DS-2 Leader <input type="checkbox"/> on	DS-2 Follower 1 <input type="checkbox"/> off	DS-2 Follower 2 <input type="checkbox"/> off
DS-1 Leader <input type="checkbox"/> off	DS-1 Follower 1 <input type="checkbox"/> off	DS-1 Follower 2 <input type="checkbox"/> on

Nadat de gewenste waardes zijn ingesteld: druk gedurende 2 seconden op het 'up' knopje (**bovenste** knopje rechts van de DIP switches, zie appendix A, positie K) van de **Leader** om de ingestelde waardes op te slaan. **De LED's overload en low-battery zullen knipperen als de instellingen zijn geaccepteerd.**

Wij raden u aan om de instellingen op papier te zetten en goed te bewaren!

U kunt de DIP switches nu opnieuw gebruiken voor de overige instellingen (stap 2).

5.5.2 Stap 2: overige instellingen

De overige instellingen zijn niet relevant voor Slaves.

Sommige van de overige instellingen zijn niet relevant voor Followers (**L2, L3**). Deze instellingen worden door de Leader **L1** voor het hele systeem opgelegd. Als een instelling niet relevant is voor **L2, L3** apparaten staat dit expliciet vermeld.

ds8-ds7: instelling laadspanningen (**niet relevant voor L2, L3**)

ds8-ds7	Absorptie spanning	Float spanning	Storage spanning	Geschikt voor
off off	14.1 28.2 56.4	13.8 27.6 55.2	13.2 26.4 52.8	Gel Victron Long Life (OPzV) Gel Exide A600 (OPzV) Gel MK Battery
off on	14.4 28.8 57.6	13.8 27.6 55.2	13.2 26.4 52.8	Gel Victron Deep Discharge Gel Exide A200 AGM Victron Deep Discharge Stationaire buisjesplaat accu's (OPzS)
on off	14.7 29.4 58.8	13.8 27.6 55.2	13.2 26.4 52.8	AGM Victron Deep Discharge (fastest recharge) Buisjesplaat tractie accu's in semi float bedrijf AGM spiral cell
on on	15.0 30.0 60.0	13.8 27.6 55.2	13.2 26.4 52.8	Buisjesplaat tractie accu's in cyclisch bedrijf

ds6: absorptientijd 8 of 4 uur (**niet relevant voor L2, L3**)

on = 8 uur off = 4 uur

ds5: adaptieve laadkarakteristiek (**niet relevant voor L2, L3**)

on = aan off = uit (vaste absorptie tijd)

ds4: dynamic current limiter

on = aan off = uit

ds3: UPS functie

on = aan off = uit

ds2: omvormer spanning

on = 230V off = 240V

ds1: omvormer frequentie (**niet relevant voor L2, L3**)

on = 50Hz off = 60Hz

(de wide input frequency range (45-55Hz) staat default aan)

Stap 2: voorbeeld instellingen voor stand alone bedrijf:

Voorbeeld 1 is de fabrieksinstelling (de DIP switches van een nieuw product staan allemaal in de 'off' stand omdat de fabrieksinstelling per computer is ingevoerd).

DS-8 Laadspanning <input type="checkbox"/> off DS-7 Laadspanning <input type="checkbox"/> on DS-6 Absorption tijd <input type="checkbox"/> on DS-5 Adaptief laden <input type="checkbox"/> on DS-4 Dyn. current limit <input type="checkbox"/> off DS-3 UPS functie: <input type="checkbox"/> on DS-2 Spanning <input type="checkbox"/> on DS-1 Frequentie <input type="checkbox"/> on	DS-8 <input type="checkbox"/> off DS-7 <input type="checkbox"/> off DS-6 <input type="checkbox"/> on DS-5 <input type="checkbox"/> on DS-4 <input type="checkbox"/> off DS-3 <input type="checkbox"/> off DS-2 <input type="checkbox"/> on DS-1 <input type="checkbox"/> on	DS-8 <input type="checkbox"/> on DS-7 <input type="checkbox"/> off DS-6 <input type="checkbox"/> on DS-5 <input type="checkbox"/> on DS-4 <input type="checkbox"/> on DS-3 <input type="checkbox"/> off DS-2 <input type="checkbox"/> off DS-1 <input type="checkbox"/> on	DS-8 <input type="checkbox"/> on DS-7 <input type="checkbox"/> on DS-6 <input type="checkbox"/> off DS-5 <input type="checkbox"/> off DS-4 <input type="checkbox"/> off DS-3 <input type="checkbox"/> on DS-2 <input type="checkbox"/> off DS-1 <input type="checkbox"/> off
Stap 2 Voorbeeld 1 (fabrieksinstelling) 8, 7 GEL 14,4V 6 Absorption tijd: 8 uur 5 Adaptief laden: aan 4 Dyn. current lim: uit 3 UPS functie: aan 2 Spanning: 230V 1 Frequentie: 50Hz	Stap 2 Voorbeeld 2: 8, 7 OPzV 14,1V 6 Abs. tijd: 8 uur 5 Adapt. laden: aan 4 Dyn. curr. lim: uit 3 UPS functie: uit 2 Spanning: 230V 1 Frequentie: 50Hz	Stap 2 Voorbeeld 3: 8, 7 AGM 14,7V 6 Abs. tijd: 8 uur 5 Adapt. laden: aan 4 Dyn. curr. lim: aan 3 UPS functie: uit 2 Spanning: 240V 1 Frequentie: 50Hz	Stap 2 Voorbeeld 4: 8, 7 Buisjespl. 15V 6 Abs. tijd: 4 uur 5 Vaste abs. tijd 4 Dyn. curr. lim: uit 3 UPS functie: aan 2 Spanning: 240V 1 Frequentie: 60Hz

Nadat de gewenste waarden zijn ingesteld: druk gedurende 2 seconden op het 'down' knopje (**onderste** knopje rechts naast de dipswitches) om de ingestelde waarden op te slaan. **De LED's temperature en low-battery zullen knipperen als de instellingen zijn geaccepteerd.**

U kunt de DIP switches vervolgens in de gekozen posities laten staan, zodat u de 'overige instellingen' altijd terug kunt vinden.

Stap 2: voorbeeld instelling voor parallel bedrijf

In dit voorbeeld is de Master ingesteld volgens de fabrieks instelling.
De Slaves hoeven niet ingesteld te worden!

Master	Slave 1	Slave 2
DS-8 Laadspanning (GEL 14,4V) <input type="checkbox"/> off	DS-8 Niet relevant <input type="checkbox"/>	DS-8 Niet relevant <input type="checkbox"/>
DS-7 Laadspanning (GEL 14,4V) <input type="checkbox"/> on	DS-7 Niet relevant <input type="checkbox"/>	DS-7 Niet relevant <input type="checkbox"/>
DS-6 Absorption tijd (8 uur) <input type="checkbox"/> on	DS-6 Niet relevant <input type="checkbox"/>	DS-6 Niet relevant <input type="checkbox"/>
DS-5 Adaptief laden (aan) <input type="checkbox"/> on	DS-5 Niet relevant <input type="checkbox"/>	DS-5 Niet relevant <input type="checkbox"/>
DS-4 Dyn. current limit (uit) <input type="checkbox"/> off	DS-4 Niet relevant <input type="checkbox"/>	DS-4 Niet relevant <input type="checkbox"/>
DS-3 UPS functie: (aan) <input type="checkbox"/> on	DS-3 Niet relevant <input type="checkbox"/>	DS-3 Niet relevant <input type="checkbox"/>
DS-2 Spanning (230V) <input type="checkbox"/> on	DS-2 Niet relevant <input type="checkbox"/>	DS-2 Niet relevant <input type="checkbox"/>
DS-1 Frequentie (50Hz) <input type="checkbox"/> on	DS-1 Niet relevant <input type="checkbox"/>	DS-1 Niet relevant <input type="checkbox"/>

Nadat de gewenste waarden zijn ingesteld: druk gedurende 2 seconden op het 'down' knopje (**onderste** knopje rechts naast de dipswitches) van de **Master** om de ingestelde waarden op te slaan. **De LED's temperature en low-battery zullen knipperen als de instellingen zijn geaccepteerd.**

U kunt de DIP switches vervolgens in de gekozen posities laten staan, zodat u de 'overige instellingen' altijd terug kunt vinden.

Systeem opstarten: eerst alle apparaten uitzetten. Het systeem zal opstarten zodra alle apparaten weer aangezet zijn.

Stap 2: voorbeeld instelling voor 3-fase bedrijf:

De Master is ingesteld volgens de fabrieks instelling.

Leader (L1)	Follower (L2)	Follower (L3)
DS-8 Laadspanning (GEL 14,4V) <input type="checkbox"/> off	DS-8 Niet relevant <input type="checkbox"/>	DS-8 Niet relevant <input type="checkbox"/>
DS-7 Laadspanning (GEL 14,4V) <input type="checkbox"/> on	DS-7 Niet relevant <input type="checkbox"/>	DS-7 Niet relevant <input type="checkbox"/>
DS-6 Absorption tijd (8 uur) <input type="checkbox"/> on	DS-6 Niet relevant <input type="checkbox"/>	DS-6 Niet relevant <input type="checkbox"/>
DS-5 Adaptief laden (aan) <input type="checkbox"/> on	DS-5 Niet relevant <input type="checkbox"/>	DS-5 Niet relevant <input type="checkbox"/>
DS-4 Dyn. current limit (uit) <input type="checkbox"/> off	DS-4 Dyn. cur. limit (uit) <input type="checkbox"/> off	DS-4 Dyn. cur. limit (uit) <input type="checkbox"/> off
DS-3 UPS functie: (aan) <input type="checkbox"/> on	DS-3 UPS functie: (aan) <input type="checkbox"/> on	DS-3 UPS functie: (aan) <input type="checkbox"/> on
DS-2 Spanning (230V) <input type="checkbox"/> on	DS-2 Spanning (230V) <input type="checkbox"/> on	DS-2 Spanning (230V) <input type="checkbox"/> on
DS-1 Frequentie (50Hz) <input type="checkbox"/> on	DS-1 Niet relevant <input type="checkbox"/>	DS-1 Niet relevant <input type="checkbox"/>

Nadat de gewenste waarden zijn ingesteld: druk gedurende 2 seconden op het 'down' knopje (**onderste** knopje rechts naast de dipswitches) van de **Leader** om de ingestelde waarden op te slaan. **De LED's temperature en low-battery zullen knipperen als de instellingen zijn geaccepteerd.**

U kunt de DIP switches vervolgens in de gekozen posities laten staan, zodat u de 'overige instellingen' altijd terug kunt vinden.

Systeem opstarten: eerst alle apparaten uitzetten. Het systeem zal opstarten zodra alle apparaten weer aangezet zijn.

6. Onderhoud

De MultiPlus vereist geen specifiek onderhoud. Het volstaat alle verbindingen eenmaal per jaar te controleren. Voorkom vocht en olie/roet/dampen en houd het apparaat schoon.

7. Foutindicaties

Met behulp van onderstaande stappen kunnen de meest voorkomende storingen snel worden opgespoord.

Indien de fout niet opgelost kan worden, raadpleeg uw Victron Energy distributeur.

7.1 Algemene fout indicaties

Probleem	Oorzaak	Oplossing
De omvormer werkt niet wanneer deze wordt ingeschakeld.	De accuspanning is te hoog of te laag.	Zorg dat de accuspanning binnen de juiste waarde is.
De LED "low battery" knippert.	De accuspanning is laag.	Laad de accu op of controleer de accu aansluitingen.
De LED "low battery" brandt.	De omvormer schakelt uit, omdat de accuspanning te laag is.	Laad de accu op of controleer de accu aansluitingen.
De LED "overload" knippert.	De belasting op de omvormer is hoger dan de nominale belasting.	Ontkoppel een deel van de belasting.
De LED "overload" brandt.	De omvormer is uitgeschakeld als gevolg van een te hoge belasting.	Ontkoppel een deel van de belasting.
De LED "temperature" knippert of brandt.	De omgevingstemperatuur is hoog, of de belasting is te hoog.	Plaats de omvormer in een koele en goed geventileerde omgeving of ontkoppel een deel van de belasting.
De LED's "low battery" en "overload" knipperen afwisselend.	Lage accuspanning en te hoge belasting.	Laad de accu's op, ontkoppel een deel van de belasting of plaats accu's met een hogere capaciteit. Monteer kortere en/ of dikkere accukabels. Controleer de dynamo.
De LED's "low battery" en "overload" knipperen tegelijk.	Rimpelspanning op de DC-aansluiting overschrijdt 1,25Vrms.	Controleer de accukabels en accuaansluitingen. Wees er zeker van dat de accucapaciteit voldoende is, verhoog deze eventueel.
De LED's "low battery" en "overload" branden.	De omvormer is uitgeschakeld als gevolg van een te hoge rimpelspanning op de ingang.	Plaats accu's met een hogere capaciteit. Monteer kortere en/ of dikkere accukabels en reset de omvormer (uit- en weer inschakelen)

Probleem	Oorzaak	Oplossing
Een alarm LED brandt en de tweede knippert	De omvormer is uitgeschakeld als gevolg van de alarmering van de brandende LED. De knipperende LED geeft aan dat de omvormer bijna uitgeschakeld is als gevolg van het betreffende alarm.	Controleer deze tabel om acties te nemen overeenkomstig het alarm.
De lader werkt niet	De netspanning of –frequentie is buiten het bereik.	Zorg dat de netspanning tussen 185 Vac en 265 Vac komt te liggen en dat de frequentie overeenkomt met de instelling.
De lader werkt niet. De LED "Bulk" knippert. De LED "Mains on" licht op.	De MultiPlus bevindt zich in "Bulk beveiliging" modus, dus de maximum bulklaadtijd van 10 uur is overschreden. Een dergelijke lange laadtijd kan wijzen op een systeemfout (bv. kortsluiting van een accu).	Controleer uw accu's. OPMERKING: U kunt de foutmodus resetten door de MultiPlus uit en opnieuw aan te zetten. De standaard MultiPlus fabrieksinstelling van de "Bulk beveiliging" modus is ingeschakeld. De "Bulk beveiliging" modus kan enkel worden uitgeschakeld via VEConfigure.
De accu wordt niet volledig opgeladen.	Verkeerde laadstroom.	Stel de laadstroom in tussen 0,1 en 0,2x de accucapaciteit.
	Een slechte accuaansluiting.	Controleer de accuaansluitingen.
	De absorptionspanning is op een verkeerde waarde ingesteld.	Regel de absorptionspanning af op een goede waarde.
	De floatspanning is op een verkeerde waarde ingesteld.	Regel de floatspanning af op een goede waarde.
	De capaciteit van de accu is te groot.	Sluit een accu aan met een kleinere capaciteit en verhoog de laadstroominstelling.
	De uitgangszekering is kapot.	Vervang de uitgangszekering.
De accu wordt overladen.	De absorptionspanning is op een verkeerde waarde ingesteld.	Regel de absorptionspanning af op een goede waarde.
	De floatspanning is op een verkeerde waarde ingesteld.	Regel de floatspanning af op een goede waarde.
	Een slechte accu.	Vervang de accu.
	Een te kleine accu.	Reduceer de laadstroom of gebruik een accu met een hogere capaciteit.
	De accu staat te warm.	Sluit een temperatuursensor aan.
De laadstroom zakt terug naar 0 zodra de absorptie fase ingaat	De accu is oververhit (>50 °C)	- Plaats de accu in een koelere ruimte - Verlaag de laadstroom - Kijk of een van de accucellen een interne sluiting heeft
	De accu temperatuur sensor is stuk	Maak het stekertje van de temperatuur sensor in de Multi los. Reset de Multi door deze uit te schakelen en na minstens 4 seconden wachten weer aan te zetten. Indien de laad functie nu weer goed is moet de temperatuur sensor vervangen worden.

7.2 Bijzondere LED indicaties

Bulk en Absorption LEDs knipperen synchroon (tegelijk).	Voltage sense fout. De gemeten spanning op de voltage sense aansluiting wijkt teveel af (meer dan 7V) van de spanning op de plus en min aansluiting van het apparaat. Vermoedelijk is er een aansluit fout. Apparaat zal gewoon blijven werken. Let op: Als de Inverter on LED in tegenfase knippert is dit een VE.Bus error code. (Zie verderop)
Absorption en Float LEDs knipperen synchroon (tegelijk).	De accu temperatuur zoals deze gemeten wordt heeft een zeer onwaarschijnlijke waarde. Vermoedelijk is de sensor defect of verkeerd aangesloten. Apparaat zal gewoon blijven werken. Let op: Als de Inverter on LED in tegenfase knippert is dit een VE.Bus error code. (Zie verderop)
Mains on knippert en er is geen uitgangsspanning.	Het apparaat staat in charger only en er is netspanning aanwezig. Apparaat keurt de netspanning af of is nog met synchronisatie bezig.

7.3 VE.Bus LED indicaties

Apparaten die in een VE.Bus systeem zijn opgenomen (een parallel of een 3-fase opstelling) kunnen zogenaamde VE.Bus LED indicaties geven. Deze LED indicaties zijn onder te verdelen in 2 groepen: OK codes en Error codes.

7.3.1 VE.Bus OK codes

Als de interne status van een apparaat in orde is maar er kan nog niet gestart worden omdat één of meer andere apparaten in het systeem een fout geven dan geven de apparaten die in orde zijn een OK code.

Op deze manier is het mogelijk om sneller de fout op te sporen in een VE.Bus systeem omdat snel gezien kan worden welke apparaten in orde zijn.

Belangrijk: OK codes worden alleen weergegeven als een apparaat niet aan het omvormen of laden is!

Voor een Multi/Quattro:

- Een knipperende Bulk LED geeft aan dat het apparaat kan omvormen.
- Een knipperende Float LED geeft aan dat het apparaat kan laden.

Voor een Inverter:

- De Inverter on LED moet knipperen.
- Een knipperende Overload LED geeft aan dat het apparaat kan omvormen.
- Een knipperende Temperature LED geeft aan dat het apparaat laden niet blokkeert.

Let op! In principe moeten alle andere LEDs uit zijn. Is dit niet het geval dan is het geen OK code.

Hierop zijn de volgende uitzonderingen:

- De hierboven genoemde bijzondere LED meldingen kunnen samen met OK codes voorkomen.
- De Low battery LED kan samen voorkomen met de OK code die aangeeft dat het apparaat kan laden.

7.3.2 VE.Bus Error Codes

Een VE.Bus systeem kan verschillende error codes weergeven. Deze codes worden weergegeven met de Inverter on, Bulk, Absorption en Float LED's.

Om een VE.Bus Error Code correct te interpreteren moeten de volgende stappen doorgenomen worden:

1. Het apparaat moet in een fout mode staan : er is geen AC uitgangsspanning.
2. Knippert de Inverter on LED? Zo nee dan is het **geen** VE.Bus Error Code.
3. Indien één of meer van de LED's: Bulk, Absorption, Float knippert dan MOET dit knipperen in tegenfase zijn met het knipperen van de Inverter on LED. Dat wil zeggen dat als de Inverter on LED aan is deze knipperende LED's uit zijn en andersom. Is dit niet het geval dan is het **geen** VE.Bus error code.
4. Kijk naar de Bulk LED en bepaal welk van de 3 onderstaande tabellen gebruikt moet worden.
5. Zoek de juiste kolom en rij op (afhankelijk van de Absorption en Float LED's) en lees de foutcode af.
6. Zoek de betekenis van de code op in de tabel eronder.

Aan alle hieronder vermelde condities moet voldaan worden!:

1. Het apparaat staat in een fout mode! (Er is geen AC uitgangsspanning!)
2. Inverter on LED knippert (in tegenfase met een mogelijk knipperende Bulk, Absorption of Float LED)
3. Minstens 'e'en van de LEDs Bulk, Absorption en Float is aan of knippert

Bulk LED uit				Bulk LED knippert				Bulk LED aan						
		Absorption LED					Absorption LED					Absorption LED		
		uit	knippert	aan			uit	knippert	aan			uit	knippert	Aan
Float LED	uit	0	3	6	Float LED	uit	9	12	15	Float LED	uit	18	21	24
	knippert	1	4	7		knippert	10	13	16		knippert	19	22	25
	aan	2	5	8		aan	11	14	17		aan	20	23	26

Bulk LED Absorption LED Float LED	Code	Betekenis:	Oorzaak/Oplossing:
○ ○ ★	1	Apparaat is uitgeschakeld omdat één van de andere fases in het systeem uitschakelde.	Controleer de falende fase.
○ ★ ○	3	Niet alle of meer dan de verwachte apparaten zijn in het systeem gevonden.	Het systeem is niet goed geconfigureerd. Configureer het systeem opnieuw. Storing in de communicatie bekabeling. Controleer de bekabeling en schakel alle apparaten uit en weer aan.
○ ★ ★	4	Geen enkel ander apparaat gevonden.	Controleer de communicatie bekabeling.
○ ★ ★	5	Overspanning op AC-out.	Controleer de AC bekabeling.
★ ○ ★	10	Systeem tijd synchronisatie probleem opgetreden.	Hoort niet voor te komen bij een goede installatie. Controleer de communicatie bekabeling.
★ ★ ★	14	Apparaat kan geen data versturen.	Controleer de communicatie bekabeling. (Er is mogelijk een kortsluiting)
★ ★ ★	17	Een van de apparaten heeft de 'Master' rol op zich genomen omdat de oorspronkelijke 'Master' faalde.	Controleer de falende unit. Controleer de communicatie bekabeling.
★ ○ ○	18	Overspanning opgetreden.	Controleer AC bekabeling.
★ ★ ★	22	Dit apparaat kan niet als 'Slave' fungeren.	Dit apparaat is een verouderd en ongeschikt model. Zorg voor vervanging.
★ ★ ○	24	Omschakel systeem beveiliging in werking getreden.	In een goede installatie mag dit niet voorkomen. Zet alle apparaten uit en opnieuw aan. Indien het probleem zich blijft voordoen moet de installatie gecontroleerd worden. Staat de ondergrens voor de AC ingangsspanning op 210V of hoger? (fabrieksinstelling is 180V, zie paragraaf 5.2)
★ ★ ★	25	Firmware incompatibiliteit. Een van de aangesloten apparaten heeft een te oude firmware om met dit apparaat samen te werken.	1) Schakel alle apparaten uit. 2) Schakel het apparaat wat deze foutmelding geeft aan 3) Schakel één voor één de andere apparaten aan tot de foutmelding weer optreed. 4) Zorg dat de firmware in het laatst aangeschakelde apparaat ge-update wordt.
★ ★ ★	26	Interne fout.	Behoort niet voor te komen. Zet alle apparaten uit en opnieuw aan. Neem contact op met Victron Energy indien het probleem zich blijft voordoen.

8. Technische Specificaties

MultiPlus	12/3000/120-16 230V 12/3000/120-50 230V	24/3000/70-16 230V 24/3000/70-50 230V	48/3000/35-16 230V 48/3000/35-50 230V
PowerControl / PowerAssist	ja		
AC Ingang	Ingangsspanning: 187-265 VAC Frequentie: 45-65Hz		
Maximale doorschakelstroom (A)	16 / 50		
Minimum AC-in stroombereik tbv PowerAssist (A)	2,3 / 5,3		
OMVORMER			
Ingangsspanningsbereik (V DC)	9,5 – 17	19 – 33	38 – 66
Uitgang (1)	Uitgangsspanning: 230 VAC ± 2% Frequentie: 50 Hz ± 0,1%		
Continu vermogen bij 25°C (VA) (3)	3000	3000	3000
Continu vermogen bij 25°C (W)	2500	2500	2500
Continu vermogen bij 40°C (W)	2000	2000	2000
Piek vermogen (W)	6000	6000	6000
Maximaal rendement (%)	93	94	95
Nullast (W)	15	15	16
Nullast in AES mode	10	10	12
Nullast in Search mode	4	5	5
LADER			
AC ingang	Ingangsspanningsbereik: 187-265 VAC Frequentie: 45 – 55 Hz Power factor: 1		
Laadspanning 'absorption' (V DC)	14,4	28,8	57,6
Laadspanning 'float' (V DC)	13,8	27,6	55,2
Laadspanning 'opslag' (V DC)	13,2	26,4	52,8
Laadstroom accessoire accu (A) (4)	120	70	35
Laadstroom startaccu (A)	4		
Temperatuur sensor	ja		
ALGEMEEN			
Programmeerbaar relais (5)	ja	ja	ja
Tweede uitgang met afschakelrelais	Ja, max. stroom 16A Schakelt af bij accu bedrijf		
Beveiligingen (2)	a - g		
Algemeen	Temperatuur bereik: -20 tot +50°C Vocht (niet condenserend): max 95%		
BEHUIZING			
Algemeen	Materiaal & kleur: aluminium (blauw RAL 5012) Beschermkلاسe: IP 21		
Accu-aansluiting	M8 bouten		
230 V AC-aansluiting	Schroefklemmen		
Gewicht (kg)	19		
Afmetingen (hxbxd in mm)	362 x 258 x 218		
NORMEN			
Veiligheid	EN 60335-1, EN 60335-2-29		
Emissie / Immuniteit	EN55014-1, EN 55014-2, EN 61000-3-3		
Automotive Directive	2004/104/EC		

1) Iedere MultiPlus kan worden ingesteld op 60Hz

2) Beveiligingen

- a. Kortsluiting
- b. Overbelasting
- c. Accuspanning te hoog
- d. Accuspanning te laag
- e. Temperatuur te hoog
- f. Wisselspanning op de uitgang
- g. Ingangsspanning met een te hoge rimpel

3) Niet lineaire belasting, crest faktor 3:1

4) Bij 25°C omgevingstemperatuur

5) Relais instelbaar als algemeen alarm relais, onderspanning alarm of start relais voor een aggregaat

Max. AC belasting: 230V/4A

Max DC belasting: 4A tot 35 VDC, 1A tot 60VDC

1. CONSIGNES DE SÉCURITÉ

Généralités

Veillez d'abord lire la documentation fournie avec cet appareil avant de l'utiliser, afin de vous familiariser avec les symboles de sécurité.

Cet appareil a été conçu et testé conformément aux normes internationales. L'appareil doit être utilisé uniquement pour l'application désignée.

ATTENTION : RISQUE DE DÉCHARGE ÉLECTRIQUE

L'appareil est utilisé conjointement avec une source d'énergie permanente (batterie). Même si l'appareil est hors tension, les bornes d'entrée et/ou de sortie peuvent présenter une tension électrique dangereuse. Toujours couper l'alimentation CA et débrancher la batterie avant d'effectuer une maintenance.

L'appareil ne contient aucun élément interne réparable par l'utilisateur. Ne pas démonter le panneau frontal et ne pas mettre l'appareil en marche tant que tous les panneaux ne sont pas mis en place. Toute maintenance doit être réalisée par du personnel qualifié.

Ne jamais utiliser l'appareil dans un endroit présentant un risque d'explosion de gaz ou de poussière. Se référer aux caractéristiques fournies par le fabricant pour s'assurer que la batterie est adaptée pour une utilisation avec cet appareil. Les consignes de sécurité du fabricant de la batterie doivent toujours être respectées.

ATTENTION : ne pas soulever d'objet lourd sans assistance.

Installation

Avant de commencer l'installation, lire les instructions.

Cet appareil est un produit de classe de sécurité I (livré avec une borne de terre pour des raisons de sécurité). **Ses bornes de sortie et/ou d'entrée CA doivent être équipées d'une mise à la terre permanente pour des raisons de sécurité. Un point de mise à la terre supplémentaire est situé à l'extérieur du boîtier de l'appareil.** Au cas où la protection de la mise à la terre serait endommagée, l'appareil doit être mis hors service et neutralisé pour éviter une mise en marche fortuite ; contacter le personnel de maintenance qualifié.

S'assurer que les câbles de connexion sont fournis avec des fusibles et des coupe-circuits. Ne jamais remplacer un dispositif de protection par un autre d'un type différent. Se référer au manuel pour connaître la pièce correcte.

Avant de mettre l'appareil sous tension, vérifier que la source d'alimentation disponible est conforme aux paramètres de configuration de l'appareil, tel qu'ils sont mentionnés dans le manuel.

S'assurer que l'appareil est utilisé dans des conditions d'exploitation appropriées. Ne jamais l'utiliser dans un environnement humide ou poussiéreux.

S'assurer qu'il existe toujours suffisamment d'espace libre autour de l'appareil pour la ventilation et que les orifices de ventilation ne sont pas obstrués.

Installer l'appareil dans un environnement protégé contre la chaleur. Par conséquent, s'assurer qu'il n'existe aucun produit chimique, pièce en plastique, rideau ou autre textile, à proximité de l'appareil.

Transport et stockage

Lors du stockage ou du transport de l'appareil, s'assurer que l'alimentation secteur et les bornes de la batterie sont débranchées.

Nous déclinons toute responsabilité vis-à-vis des dommages lors du transport, si l'appareil n'est pas transporté dans son emballage d'origine.

Stocker l'appareil dans un endroit sec ; la température de stockage doit être comprise entre -20° C et +60° C.

Se référer au manuel du fabricant de la batterie pour tout ce qui concerne le transport, le stockage, la charge, la recharge et l'élimination de la batterie.

2. DESCRIPTION

2.1 Généralités

Le MultiPlus réunit dans un boîtier compact un convertisseur sinusoïdal extrêmement puissant, un chargeur de batterie et un commutateur automatique.

Le MultiPlus bénéficie en plus des caractéristiques suivantes, souvent uniques :

Commutation automatique et sans coupure

Dans le cas d'une panne d'alimentation ou lorsque le groupe électrogène est arrêté, le MultiPlus bascule en mode convertisseur et reprend l'alimentation des appareils connectés. Ce transfert est si rapide que le fonctionnement des ordinateurs et des autres appareils électroniques n'est pas perturbé (système d'alimentation sans coupure ou fonction UPS). Cela fait du MultiPlus un système d'alimentation de secours parfaitement adapté aux applications industrielles et de télécommunications. La puissance commutée maximale est de 16 A ou de 50 A selon les modèles.

Sortie CA auxiliaire

En plus de l'habituelle sortie sans coupure, une sortie auxiliaire est disponible qui déconnecte sa charge en cas de fonctionnement de la batterie. Exemple : une chaudière électrique ne pouvant fonctionner que si le genset est en marche ou si une puissance de quai est disponible.

Puissance virtuellement illimitée grâce au fonctionnement en parallèle

Jusqu'à 6 Multis peuvent fonctionner en parallèle. Par exemple, six unités 24/3000/70 fourniront une puissance de 15 kW / 18 kVA en sortie et 420 A de capacité de charge.

Configuration triphasée

Trois unités peuvent être configurées pour une sortie triphasée. -Mais ce n'est pas tout : jusqu'à 6 séries de trois unités peuvent fonctionner en parallèle et être connectées afin de pouvoir fournir une puissance de convertisseur de 45 kVA/ 54 kVA et une capacité de charge de plus de 1000 A.

PowerControl – Utilisation maximum du courant de quai limité

Le MultiPlus peut fournir une puissance de charge énorme. Cela implique une demande importante sur l'énergie du quai ou du groupe électrogène. Par conséquent, une puissance maximale peut être définie. Le MultiPlus prend alors en compte les autres utilisateurs de puissance et utilise uniquement « l'excédent » de courant pour la charge des batteries.

PowerAssist – Utilisation étendue de votre groupe électrogène et de votre courant de quai : La fonction co-alimentation du MultiPlus

Cette fonction donne une dimension supplémentaire au principe du PowerControl en permettant au MultiPlus de compléter la capacité de la source alternative. Puisqu'une puissance de pointe est généralement requise pendant une courte durée, le MultiPlus fera en sorte que la puissance insuffisante du quai ou du groupe électrogène soit immédiatement compensée par les batteries. Et lorsque la demande diminue, l'excédent de puissance est utilisé pour recharger les batteries.

Cette fonction unique propose une solution définitive aux problèmes de courant de quai : les appareils électriques de grande puissance, les lave-vaisselle, les machines à laver, les cuisinières électriques, etc., tous peuvent fonctionner avec un courant de quai de 16 A, ou moins. En outre, un groupe électrogène plus petit peut être installé.

Énergie solaire

Le MultiPlus est parfaitement adapté aux applications d'énergie solaire. Il peut être utilisé dans des systèmes autonomes, ainsi que dans des systèmes connectés en réseau.

Fonctionnement autonome en cas de défaillance du réseau

Les maisons ou les bâtiments équipés de panneaux solaires, ou d'une microcentrale énergétique pour l'électricité et le chauffage, ou les autres sources d'énergie durable, disposent ainsi d'une puissance électrique autonome qui peut être utilisée pour alimenter les équipements indispensables (pompes de chauffage central, réfrigérateurs, congélateurs, connexions Internet, etc.) lors d'une panne de courant. Cependant, un problème subsiste : ces sources d'énergie durable connectées au réseau sont coupées dès que celui-ci tombe en panne. Avec un MultiPlus et des batteries, ce problème peut être résolu simplement : **le MultiPlus peut remplacer le réseau pendant une panne de courant.** Lorsque les sources d'énergie durable produisent plus de puissance qu'il n'en faut, le MultiPlus utilise l'excédent pour charger les batteries ; et en cas de panne de courant, le MultiPlus fournira une puissance supplémentaire à partir des batteries.

Relais programmable

Le MultiPlus est équipé d'un relais programmable, qui est programmé par défaut comme relais d'alarme. Ce relais peut être programmé pour tous types d'applications, par exemple comme relais de démarrage pour un groupe électrogène.

Configuration par interrupteurs DIP, tableau de commande VE.Net ou ordinateur personnel

Le MultiPlus est livré prêt à l'emploi. Il existe trois possibilités pour modifier certains réglages à volonté :

- Les réglages les plus importants (y compris le fonctionnement en parallèle de jusqu'à trois appareils et le fonctionnement triphasé) peuvent être modifiés très simplement, à l'aide d'interrupteurs DIP.
- Tous les réglages, à l'exception du relais multifonction, peuvent être modifiés par l'intermédiaire du tableau de commande VE.Net.
- Tous les réglages peuvent être modifiés grâce à un PC et un logiciel gratuit, disponible en téléchargement sur notre site Web www.victronenergy.com.

2.2 Chargeur de batterie

Caractéristiques de charge adaptative en 4 étapes : bulk – absorption – float – veille

Le système de gestion de batterie adaptative contrôlé par microprocesseur peut être réglé pour divers types de batteries. La fonction « adaptative » adapte automatiquement le processus de charge à l'utilisation de la batterie.

La bonne dose de charge : durée d'absorption variable

Dans le cas d'un léger déchargement de batterie, l'absorption est maintenue réduite afin d'empêcher une surcharge et une formation de gaz excessive. Après un déchargement important, le temps d'absorption est automatiquement élevé afin de charger complètement la batterie.

Prévention des détériorations dues au gazage : Le mode BatterySafe

Si, pour recharger rapidement une batterie, une puissance de charge élevée est associée à une tension d'absorption élevée, la détérioration due à un gazage excessif sera évité en limitant automatiquement la progression de la tension, dès que la tension de gazage a été atteinte.

Moins d'entretien et de vieillissement si la batterie n'est pas utilisée : mode veille

Le mode veille se déclenche lorsque la batterie n'a pas été sollicitée pendant 24 heures. En mode veille, la tension float est réduite à 2,2 V / cellule (13,2 V pour une batterie de 12 V) pour minimiser le gazage et la corrosion des plaques positives. Une fois par semaine, la tension est relevée au niveau d'absorption pour « égaliser » la batterie. Ce procédé empêche la stratification de l'électrolyte et la sulfatation, causes majeures du vieillissement prématuré des batteries.

Deux sorties CC pour le chargement de deux batteries

La borne principale CC peut fournir la totalité du courant de sortie. La seconde sortie, prévue pour la charge d'une batterie de démarrage, est limitée à 4 A et sa tension de sortie est légèrement inférieure.

Augmentation de la durée de vie de la batterie : compensation de température

La sonde de température, qui est fournie avec le produit, sert à réduire la tension de charge quand la température de la batterie augmente. Ceci est particulièrement important pour les batteries sans entretien qui pourraient se dessécher suite à une surcharge.

Sonde de tension de batterie : la tension de charge correcte

La perte de tension due à la résistance des câbles peut être compensée en utilisant un dispositif de lecture de tension directement sur le bus CC ou sur les bornes de la batterie.

Plus d'infos sur les batteries et leur charge

Notre livre « Énergie sans limites » donne de plus amples informations sur les batteries et leur charge. Il est disponible gratuitement sur notre site Web (voir www.victronenergy.com -> Support et Téléchargements -> Infos techniques générales). Pour plus d'informations sur les caractéristiques de charge adaptative, veuillez vous référer à la section "Infos techniques générales" sur notre site Web.

3. FONCTIONNEMENT

3.1 Commutateur on/off/charger only (*chargeur uniquement*)

Lorsque le commutateur est positionné sur « on », l'appareil est pleinement opérationnel. Le convertisseur est mis en marche et la LED « inverter on » s'allume.

Une tension CA connectée à la borne « AC in » sera commutée vers la borne « AC out » si elle est à l'intérieur des limites paramétrées. Le convertisseur est arrêté, la LED « mains on » s'allume et le chargeur se met en marche. En fonction du mode de charge, la LED « bulk », « absorption » ou « float », s'allume.

Si la tension de la borne « AC in » est rejetée, le convertisseur se met en marche.

Lorsque le commutateur est positionné sur « charger only », seul le chargeur de batterie du Multi est en service (si l'alimentation secteur est présente). Avec ce mode, la tension d'entrée est également redirigée sur la borne « AC out ».

REMARQUE : Lorsque seule la fonction chargeur est requise, assurez-vous que le commutateur est en position « charger only ». Cela empêchera la mise en marche du convertisseur en cas de coupure de l'alimentation secteur, ce qui aurait pour conséquence de vider les batteries.

3.2 Commande à distance

Il est possible de contrôler l'appareil à distance avec un interrupteur à trois positions ou avec un tableau de commande Multi Control. Le tableau de commande Multi Control dispose d'un simple sélecteur rotatif, avec lequel il est possible de régler le courant maximum de l'entrée CA : voir PowerControl et PowerAssist à la section 2.

3.3 Égalisation et absorption forcée

3.3.1 Égalisation

Les batteries de traction nécessitent une charge normale supplémentaire. En mode égalisation, le MultiPlus charge pendant une heure avec une tension surélevée (1 V au-dessus de la tension d'absorption pour une batterie 12 V et 2 V pour une batterie 24 V). Le courant de charge est alors limité à 1/4 de la valeur définie. **Les LED "bulk" et "absorption" clignotent par intermittence.**



Le mode d'égalisation fournit une tension de charge plus élevée que celle que peuvent supporter la plupart des appareils consommateurs de CC. Ces derniers doivent être débranchés avant de commencer un cycle d'égalisation.

3.3.2 Absorption forcée

Dans certaines circonstances, il peut être souhaitable de charger la batterie pendant une durée précise et à une tension d'absorption particulière. En mode absorption forcée, le MultiPlus charge à la tension d'absorption normale pendant la durée maximum d'absorption définie. **La LED "absorption" est allumée.**

3.3.3 Activation de l'égalisation ou de l'absorption forcée

Le MultiPlus peut être mis dans ces deux positions aussi bien à partir du tableau de commande à distance qu'à partir de l'interrupteur qui se trouve sur la panneau frontal, ce qui fait que tous les interrupteurs (frontal, à distance et tableau de commande) sont configurés sur la position « on » et qu'aucun d'entre eux n'est sur la position « charger only ».

Pour placer le MultiPlus dans cet état, procédez comme suit.

Après le déroulement de cette procédure, si l'interrupteur n'est pas dans la position souhaitée, il peut être encore basculé une fois rapidement. Cela ne modifiera pas l'état de charge.

REMARQUE : Le basculement de « on » à « charger only » et vice versa, tel qu'il est décrit ci-dessous, doit être exécuté rapidement. L'interrupteur doit être actionné de manière à ce que la position intermédiaire soit « ignorée ». Si l'interrupteur reste sur la position « off » même pour un court laps de temps, l'appareil devra être éteint. Dans ce cas, il faudra recommencer la procédure à partir de l'étape 1. Un certain degré de familiarisation est nécessaire pour l'utilisation de l'interrupteur frontal en particulier sur le Compact. Lors de l'utilisation du tableau de commande à distance, c'est moins important.

Procédure :

1. Vérifier que tous les interrupteurs (frontal, à distance ou du tableau de commande s'il y a lieu) sont sur la position "on".
2. L'activation de l'égalisation ou l'absorption forcée n'a de sens que si le cycle de charge normale est terminé (le chargeur est en mode « float »).
3. Pour l'activer :
 - a. Changez rapidement du mode « on » à « charger only » et laissez l'interrupteur dans cette position entre 1/2 et 2 secondes.
 - b. Changez rapidement en sens inverse et passez de « charger only » à « on », et laissez l'interrupteur dans cette position entre 1/2 et 2 seconde.
 - c. Changez une nouvelle fois rapidement de "on" à "charger only" et laissez l'interrupteur dans cette position.
4. Sur le MultiPlus (ainsi que sur le tableau de commande MultiControl s'il est connecté), les trois LED "Bulk", "Absorption" et "Float" vont clignoter 5 fois.
5. Par la suite, les LED "Bulk", "Absorption" et "Float" seront allumées pendant 2 secondes.
 - a. Si l'interrupteur est en position « on » alors que la LED « Bulk » est allumée, le chargeur passera en mode égalisation.
 - b. Si l'interrupteur est en position « on » alors que la LED « Absorption » est allumée, le chargeur passera en mode absorption forcée
 - c. Si l'interrupteur est en position « on » après que la séquence des trois LED a été complétée, le chargeur passera en mode « Float »
 - d. Si l'interrupteur n'a pas été bougé, le MultiPlus restera en mode "charger only" et commutera à "Float".

3.4 Indications des LED

- LED éteinte
- ☀ LED clignotante
- LED allumée

Convertisseur

Chargeur		Convertisseur	
○ mains on	allumée	● convertisseur on	
○ bulk	éteinte	○ surcharge	
○ Absorption	charger only	○ batterie faible	
○ Float		○ température	

Le convertisseur est en marche et alimente la charge.

Chargeur		Convertisseur	
○ mains on	allumée	● convertisseur on	
○ bulk	éteinte	☀ surcharge	
○ absorption	charger only	○ batterie faible	
○ Float		○ température	

La sortie nominale du convertisseur est en surcharge. La LED "overload" clignote.

Chargeur		Convertisseur	
○ mains on	allumée	○ convertisseur on	
○ bulk	éteinte	● surcharge	
○ absorption	charger only	○ batterie faible	
○ Float		○ température	

Le convertisseur s'est arrêté à cause d'une surcharge ou d'un court-circuit.

Chargeur		Convertisseur	
○ mains on	allumée	● convertisseur on	
○ bulk	éteinte	○ surcharge	
○ absorption	charger only	☀ batterie faible	
○ Float		○ température	


La batterie est presque entièrement épuisée.

Chargeur		Convertisseur	
○ mains on	allumée	○ convertisseur on	
○ bulk	éteinte	○ surcharge	
○ absorption	charger only	● batterie faible	
○ Float		○ température	


Le convertisseur s'est arrêté à cause d'une tension de batterie faible.

Chargeur		Convertisseur	
○ mains on	allumée	● convertisseur on	
○ bulk	éteinte	○ surcharge	
○ absorption	charger only	○ batterie faible	
○ Float		☀ température	


La température interne atteint un niveau critique.

Chargeur		Convertisseur	
<input type="radio"/> mains on	allumée	<input type="radio"/> convertisseur on	
<input type="radio"/> bulk	 éteinte	<input type="radio"/> surcharge	
<input type="radio"/> absorption	charger only	<input type="radio"/> batterie faible	
<input type="radio"/> Float		<input checked="" type="radio"/> température	

Le convertisseur s'est arrêté à cause de la température trop élevée de l'électronique.


Chargeur		Convertisseur	
<input type="radio"/> mains on	allumée	<input checked="" type="radio"/> convertisseur on	
<input type="radio"/> bulk	 éteinte	<input checked="" type="radio"/> surcharge	
<input type="radio"/> absorption	charger only	<input checked="" type="radio"/> batterie faible	
<input type="radio"/> Float		<input type="radio"/> température	

- Si les LED clignotent par intermittence, la batterie est pratiquement épuisée et la sortie nominale est en surcharge.
- Si les LED « overload » et « low battery » clignotent simultanément, la tension d'ondulation aux bornes de la batterie est trop élevée.


Chargeur		Convertisseur	
<input type="radio"/> mains on	allumée	<input type="radio"/> convertisseur on	
<input type="radio"/> bulk	 éteinte	<input checked="" type="radio"/> surcharge	
<input type="radio"/> absorption	charger only	<input checked="" type="radio"/> batterie faible	
<input type="radio"/> Float		<input type="radio"/> température	

Le convertisseur s'est arrêté à cause d'une tension d'ondulation trop élevée aux bornes de la batterie.

Chargeur de batterie

Chargeur		Convertisseur	
<input checked="" type="radio"/> mains on	allumée	<input type="radio"/> convertisseur on	
<input checked="" type="radio"/> bulk	 éteinte	<input type="radio"/> surcharge	
<input type="radio"/> absorption	charger only	<input type="radio"/> batterie faible	
<input type="radio"/> Float		<input type="radio"/> température	

La tension d'entrée CA est commutée et le chargeur fonctionne en mode bulk.

Chargeur		Convertisseur	
<input checked="" type="radio"/> mains on	allumée	<input type="radio"/> convertisseur on	
<input checked="" type="radio"/> bulk	 éteinte	<input type="radio"/> surcharge	
<input checked="" type="radio"/> absorption	charger only	<input type="radio"/> batterie faible	
<input type="radio"/> Float		<input type="radio"/> température	

La tension secteur est commutée et le chargeur est en marche. La tension d'absorption définie, cependant, n'a pas encore été atteinte. (Mode BatterySafe)

Chargeur		Convertisseur	
<input checked="" type="radio"/> mains on	allumée	<input type="radio"/> convertisseur on	
<input type="radio"/> bulk	 éteinte	<input type="radio"/> surcharge	
<input checked="" type="radio"/> absorption	charger only	<input type="radio"/> batterie faible	
<input type="radio"/> Float		<input type="radio"/> température	

La tension secteur est commutée et le chargeur fonctionne en mode absorption.

Chargeur		Convertisseur	
<input checked="" type="radio"/> mains on	allumée	<input type="radio"/> convertisseur on	
<input type="radio"/> bulk	[Barre pleine]	<input type="radio"/> surcharge	
<input type="radio"/> absorption		éteinte	<input type="radio"/> batterie faible
<input checked="" type="radio"/> Float	charger only	<input type="radio"/> température	

La tension secteur est commutée et le chargeur fonctionne en mode float.

Chargeur		Convertisseur	
<input checked="" type="radio"/> mains on	allumée	<input type="radio"/> convertisseur on	
<input checked="" type="radio"/> bulk	[Barre pleine]	<input type="radio"/> surcharge	
<input checked="" type="radio"/> absorption		éteinte	<input type="radio"/> batterie faible
<input type="radio"/> Float	charger only	<input type="radio"/> température	

La tension secteur est commutée et le chargeur fonctionne en mode égalisation.

Indications spéciales

PowerControl

chargeur		Convertisseur	
<input checked="" type="radio"/> mains on	allumée	<input type="radio"/> convertisseur on	
<input type="radio"/> bulk	[Barre pleine]	<input type="radio"/> surcharge	
<input type="radio"/> absorption		éteinte	<input type="radio"/> batterie faible
<input type="radio"/> float	charger only	<input type="radio"/> température	

L'entrée CA est commutée. Le courant de sortie CA est égal au courant d'entrée maximum prédéfini. Le courant de charge est réduit à 0.

Power Assist

chargeur		Convertisseur	
<input checked="" type="radio"/> mains on	allumée	<input checked="" type="radio"/> convertisseur on	
<input type="radio"/> bulk	[Barre pleine]	<input type="radio"/> surcharge	
<input type="radio"/> absorption		éteinte	<input type="radio"/> batterie faible
<input type="radio"/> float	charger only	<input type="radio"/> température	

L'entrée CA est commutée mais la charge nécessite plus de courant que le courant d'entrée maximum prédéfini. Le convertisseur est mis en marche pour alimenter le courant supplémentaire requis.

4. Installation



Cet appareil doit être installé par un électricien qualifié.

4.1 Emplacement

L'appareil doit être installé dans un endroit sec et bien ventilé, aussi près que possible des batteries. Conservez un espace libre d'au moins 10 cm autour de l'appareil pour son refroidissement.



Une température ambiante trop élevée aura pour conséquences :

- Réduction de la longévité.
- Courant de charge réduit.
- Puissance de pointe réduite ou arrêt total du convertisseur.
- Ne jamais placer l'appareil directement au-dessus des batteries.

Le MultiPlus peut être fixé au mur. Pour le montage, un crochet et deux trous sont disponibles à l'arrière du boîtier (voir l'annexe G). L'appareil peut être monté horizontalement ou verticalement. Pour un refroidissement optimal, le montage vertical est préférable.



L'intérieur de l'appareil doit rester accessible après l'installation.

Conservez une distance minimale entre l'appareil et les batteries afin de réduire les pertes de tension dans les câbles.



Pour des raisons de sécurité, cet appareil doit être installé dans un environnement résistant à la chaleur. Évitez la présence de produits chimiques, de composants synthétiques, de rideaux ou d'autres textiles, à proximité de l'appareil.

4.2 Raccordement des câbles de batterie

Pour bénéficier de la puissance maximale de l'appareil, il est nécessaire d'utiliser des batteries de capacité suffisante et des câbles de section suffisante. Voir le tableau.

	12/3000/120	24/3000/70	48/3000/35
Capacité de batterie recommandée (Ah)	400–1200	200–700	100–400
Fusible CC recommandé	400 A	300 A	125 A
Section de câble recommandée (mm ²) par borne de connexion + et -			
0 – 5 m	2x 50 mm ²	50 mm ²	35 mm ²
5 – 10 m	2x 70 mm ²	2x 50 mm ²	2x 35 mm ²

* « 2x » signifie deux câbles positifs et deux câbles négatifs.

Remarque : la résistance interne est un facteur important si vous utilisez des batteries de faible capacité. Veuillez consulter votre fournisseur ou les chapitres correspondant de notre livre « Énergie Sans Limites », téléchargeable sur notre site web.

Procédure

Procédez comme suit pour raccorder les câbles de batterie :



Utilisez une clé à pipe isolante afin d'éviter de court-circuiter la batterie. Évitez de court-circuiter les câbles de batterie.

- Dévissez les quatre vis sur la partie avant du boîtier et enlevez le panneau avant.
- Raccordez les câbles de batterie : Voir l'Annexe A.
- Serrez correctement les boulons pour éviter la résistance au contact.

4.3 Raccordement du câblage CA

Ce MultiPlus est un produit de classe de sécurité I (livré avec une borne de terre pour des raisons de sécurité). **Ses sorties CA et/ou ses bornes de sorties et/ou ses points de mise à la terre sur la partie externe du produit doivent être fournis avec un point de mise à la terre sans coupure pour des raisons de sécurité.**

Le MultiPlus est fourni avec un relais de terre (relais H, voir l'annexe B) qui **connecte automatiquement la sortie du Neutre au châssis si aucune alimentation CA est disponible**. Lorsqu'une source externe CA est fournie, le relais de terre H s'ouvre avant que le relais de sécurité d'entrée ne se ferme. Cela permet le fonctionnement correct des interrupteurs différentiels connectés à la sortie.



- Sur une installation fixe, une mise à la terre sans coupure peut être sécurisée au moyen du câble de terre de l'entrée CA. Autrement, le boîtier doit être mis à la masse.
- Pour les installations mobiles, (par exemple avec une prise de courant de quai), le fait d'interrompre la connexion de quai va déconnecter simultanément la connexion de mise à la terre. Dans ce cas, le boîtier de l'appareil doit être raccordé au châssis (du véhicule), ou à la plaque de terre ou à la coque (du bateau).

Dans le cas de bateaux, une connexion directe à la terre n'est pas recommandée en raison des risques de corrosion galvaniques. Dans ce cas, la solution est l'utilisation d'un transformateur d'isolement.

Le bloc de connexion se trouve sur le circuit imprimé - Voir Annexe A. L'alimentation secteur ou de quai doit être raccordée au Multi à l'aide d'un câble à trois conducteurs.

4.3.1 Modèles avec une capacité de transfert de 16 A (Ex. : MultiPlus 12/3000/120 - **16** 230 V)

- **AC-in**
Le câble d'entrée CA peut être connecté au bornier "AC-in".
De gauche à droite : « PE » (terre), « L » (phase), et « N » (neutre).
L'entrée CA doit être protégée par un fusible ou un disjoncteur magnétique de 16 A ou moins, et la section de câble doit être dimensionnée en conséquence. Si la valeur nominale de la puissance d'entrée CA est inférieure, le fusible ou le disjoncteur magnétique doit être calibré en conséquence.
- **AC-out-1**
Le câble de sortie CA peut être raccordé directement au bornier « AC-out-1 ».
De gauche à droite : « L » (phase), « N » (neutre) et « PE » (terre).
Grâce à la fonction PowerAssist, le Multi peut ajouter à la sortie une puissance de 3 kVA (Ce qui fait : $3000 / 230 = 13$ A) lorsque des périodes de puissance de pointe sont requises. Avec un courant d'entrée maximum de 16 A, cela signifie que la sortie peut fournir jusqu'à $16 + 13 = 29$ A.
Un interrupteur différentiel et un fusible ou un disjoncteur configurés pour supporter une charge déterminée doivent être fournis en série avec la sortie, et la section de câble doit être adaptée en conséquence. La capacité maximum du fusible ou du disjoncteur est de 32 A.
- **AC out - 2**
Une seconde sortie est disponible pour déconnecter sa charge en cas de fonctionnement de la batterie. Sur ces bornes, l'équipement connecté ne peut fonctionner que si la tension CA est disponible sur AC-in-1 ou AC-in-2, par exemple, une chaudière électrique ou un climatiseur. La charge en AC-out-2 est déconnectée immédiatement quand le Multi passe en fonctionnement batterie. Une fois que la puissance CA est disponible en AC-in-1 ou AC-in-2, la charge en AC-out-2 se reconnectera après un laps de temps d'environ 2 minutes. Ceci permettra de stabiliser un gensect.
AC-out-2 peut supporter des charges de jusqu'à 16 A. Un interrupteur différentiel et un fusible d'une valeur maximum de 16 A peuvent être connectés en série avec un AC-out-2.
Note : Les charges connectées à AC-out-2 seront prises en compte dans la configuration de la limite du courant dans le PowerControl/PowerAssist. Les charges directement connectées à l'alimentation CA **ne** seront **pas** comprises dans la configuration de la limite du courant du PowerControl/PowerAssist.

4.3.2 Modèles avec une capacité de transfert de 50 A (Ex. : MultiPlus 12/3000/120 - **50** 230 V)

- **AC-in**
Le câble d'entrée CA peut être connecté au bornier "AC-in".
De gauche à droite : « L » (phase), « N » (neutre) et « PE » (terre).
L'entrée CA doit être protégée par un fusible ou un disjoncteur magnétique de 50 A ou moins, et la section de câble doit être dimensionnée en conséquence. Si la valeur nominale de la puissance d'entrée CA est inférieure, le fusible ou le disjoncteur magnétique doit être calibré en conséquence.
- **AC-out-1**
Le câble de sortie CA peut être raccordé directement au bornier « AC-out-1 ».
De gauche à droite : « L » (phase), « N » (neutre) et « PE » (terre).
Grâce à la fonction PowerAssist, le Multi peut ajouter à la sortie une puissance de 3 kVA (Ce qui fait : $3000 / 230 = 13$ A) lorsque des périodes de puissance de pointe sont requises. Avec un courant d'entrée maximum de 50 A, cela signifie que la sortie peut fournir jusqu'à $50 + 13 = 63$ A.
Un interrupteur différentiel et un fusible ou un disjoncteur configurés pour supporter une charge déterminée doivent être fournis en série avec la sortie, et la section de câble doit être adaptée en conséquence. La capacité maximum du fusible ou du disjoncteur est de 63 A.
- **AC-out-2**
Voir section 4.3.1.

4.4 Raccordements en option

Un certain nombre de connexions optionnelles sont possibles :

4.4.1 Batterie auxiliaire

Le MultiPlus est équipé d'une sortie pour la charge d'une batterie de démarrage. Pour le raccordement, voir l'annexe A.

4.4.2 Sonde de tension

Une sonde à deux fils peut être raccordée pour corriger les éventuelles pertes dues aux câbles de batterie pendant la charge. Utilisez des fils d'au moins 0,75 mm². Pour le raccordement, voir l'annexe O.

4.4.3 Sonde de température

La sonde de température, livrée avec l'appareil, peut être utilisée pour corriger la charge en fonction de la température (voir l'annexe A). La sonde est isolée et doit être montée sur le pôle négatif de la batterie.

4.4.4 Commande à distance

L'appareil peut être contrôlé à distance de deux façons.

- Avec un interrupteur externe (connexion borne H ; voir l'annexe A). Il ne fonctionne que si l'interrupteur du Quattro est en position « on ».
- Avec un tableau de commande Multi Control (raccordé à l'un des deux connecteurs RJ48 prises B, voir l'annexe A). Il ne fonctionne que si le commutateur du Multi est en position « on ».

Un seul contrôle à distance peut être connecté, c'est-à-dire un interrupteur ou un tableau de contrôle à distance.

4.4.5. Relais programmable

Le MultiPlus est équipé d'un relais programmable, qui est configuré par défaut comme relais d'alarme (connexion borne I ; voir l'annexe A). Néanmoins, le relais peut être programmé pour tous types d'applications, par exemple pour démarrer un générateur (Logiciel VEConfigure requis).

4.4.6 Sortie CA auxiliaire (AC-out-2)

En plus de la sortie sans coupure habituelle, une sortie auxiliaire (AC-out-2) est disponible pour déconnecter sa charge en cas de fonctionnement de la batterie. Exemple : une chaudière électrique ou un climatiseur ne pouvant fonctionner que si le genset est en marche ou si une puissance de quai est disponible.

En cas de fonctionnement de la batterie, la sortie AC-out-2 se coupe immédiatement. Une fois que l'alimentation CA est disponible, la sortie AC-out-2 se reconnecte dans un délai de 2 minutes, ce qui permet au genset de se stabiliser avant de se connecter à une charge lourde.

4.4.7 Connexion en parallèle

Le MultiPlus peut être connecté en parallèle avec plusieurs appareils identiques. Pour ce faire, une connexion est établie entre les appareils par l'intermédiaire de câbles standard RJ-45 UTP. Le **système** (un Multi ou plus, avec un tableau de commande en option) devra être configuré en conséquence (voir la section 5).

Dans le cas de MultiPlus connectés en parallèle, les conditions suivantes doivent être respectées :

- Six appareils maxima peuvent être connectés en parallèle.
- Seuls des appareils identiques doivent être connectés en parallèle.
- Les câbles de raccordement CC entre les appareils doivent être de longueur égale et de section identique.
- Si un point de distribution CC positif et négatif est utilisé, la section de la connexion entre les batteries et le point de distribution CC doit être au moins égale à la somme des sections requises pour les connexions entre le point de distribution et les MultiPlus.
- Placez les MultiPlus à proximité les uns des autres, mais conservez au moins 10 cm d'espace libre pour la ventilation, en dessous, au-dessus et sur les côtés.
- Les câbles UTP doivent être branchés directement d'un appareil à l'autre (et au tableau de commande à distance). Les boîtiers de connexion/séparation ne sont pas autorisés.
- Une sonde de température de batterie n'a besoin d'être raccordée qu'à un seul appareil du système. Si la température de plusieurs batteries doit être mesurée, vous pouvez également raccorder les sondes des autres MultiPlus du système (avec au maximum une sonde par MultiPlus). La correction de température pendant la charge de la batterie intervient lorsque la sonde indique la plus haute température.
- La sonde de tension doit être raccordée au convertisseur maître (voir la section 5.5.1.4).
- Un seul moyen de commande à distance (tableau ou interrupteur) peut être raccordé au **système**.

4.4.8 Fonctionnement en triphasé

Le MultiPlus peut être également utilisé dans une configuration triphasée. Pour ce faire, une connexion est établie entre les appareils par l'intermédiaire de câbles standard RJ-45 UTP (comme pour le fonctionnement en parallèle). Le **système** (des Multis avec un tableau de commande en option) devra être configuré en conséquence (voir la section 5).

Conditions préalables : voir la section 4.4.7.

5. Configuration



- La modification des réglages doit être effectuée par un électricien qualifié.
- Lisez attentivement les instructions avant toute modification.
- Pendant la configuration du chargeur, l'entrée CA doit être débranchée.

5.1 Réglages standard : prêt à l'emploi

À la livraison, le MultiPlus est configuré avec les valeurs d'usine standard. En général, ces réglages sont adaptés au fonctionnement d'un seul appareil.

Attention : il est possible que la tension de charge des batteries par défaut ne soit pas adaptée à vos batteries ! Consultez la documentation du fabricant ou le fournisseur de vos batteries !

Réglages d'usine standard du MultiPlus

Fréquence du convertisseur	50 Hz
Plage de fréquence d'entrée	45 - 65 Hz
Plage de tension d'alimentation	180 - 265 VCA
Tension du convertisseur	230 VCA
Indépendant / Parallèle / Triphasé	indépendant
AES (<i>Automatic Economy Switch</i>)	éteint
Relais de terre	allumé
Chargeur on/ off	allumé
Courbe de charge de la batterie	adaptative en quatre étapes avec le mode BatterySafe
Courant de charge	75 % du courant de charge maximal
Type de batterie	Victron Gel Deep Discharge (adapté également au type Victron AGM Deep Discharge)
Charge d'égalisation automatique	éteinte
Tension d'absorption	14.4 / 28.8 / 57.6 V
Durée d'absorption	jusqu'à 8 heures (en fonction de la durée bulk)
Tension float	13.8 / 27.6 / 55.2 V
Tension de veille	13.2 / 26.4 / 52.8 V (non réglable)
Durée d'absorption répétée	1 heure
Intervalle de répétition d'absorption	7 jours
Protection bulk	allumée
Limite de courant d'entrée CA	50 A ou 16 A en fonction du modèle (limite de courant réglable pour les fonctions PowerControl et PowerAssist)
Fonction UPS	allumée
Limiteur de courant dynamique	éteint
Fonction WeakAC	éteinte
BoostFactor	2
Relais programmable	Fonction d'alarme
Sortie auxiliaire	16 A
Fonction PowerAssist	allumée

5.2 Explication des réglages

Les réglages non explicites sont brièvement décrits ci-dessous. Pour de plus amples informations, veuillez consulter les fichiers d'aide du logiciel de configuration (voir la section 5.3).

Fréquence du convertisseur

Fréquence de sortie si aucune tension CA n'est présente sur l'entrée.
Réglage : 50 Hz ; 60 Hz

Plage de fréquence d'entrée

Plage de la fréquence d'entrée acceptée par le MultiPlus. Le MultiPlus se synchronise avec la fréquence d'entrée CA selon cette plage. La fréquence de sortie est alors égale à la fréquence d'entrée.
Réglage : 45 – 65 Hz ; 45 – 55 Hz ; 55 – 65 Hz

Plage de tension d'alimentation

Plage de la tension acceptée par le MultiPlus. Le MultiPlus se synchronise avec la tension d'entrée CA selon cette plage. La tension de sortie est alors égale à la tension d'entrée.
Réglage : Limite inférieure : 180 – 230 V
Limite supérieure : 230 – 270 V

Tension du convertisseur

Tension de sortie du MultiPlus en mode batterie.
Réglage : 210 – 245 V

Fonctionnement indépendant / en parallèle / configuration bi-triphasée

En utilisant plusieurs appareils, il est possible de :

- augmenter la puissance totale du convertisseur (plusieurs appareils en parallèle).
- créer un système à phase séparée par empilage (uniquement pour les MultiPlus avec une tension de sortie de 120 V).
- créer un système à phase séparée avec un autotransformateur séparé : voir le manuel ou la fiche technique de l'autotransformateur VE
- créer un système triphasé.

Les configurations standard du produit sont prévues pour un fonctionnement indépendant. Pour un fonctionnement en parallèle, triphasé ou séparé, voir la section 4.6.6 et 4.6.7.

AES (Automatic Economy Switch)

Si ce réglage est défini sur « on », la consommation électrique en fonctionnement, sans charge et avec des charges faibles, est réduite d'environ 20 %, en « rétrécissant » légèrement la tension sinusoïdale. Applicable uniquement à une configuration indépendante.

Mode Recherche

Au lieu du mode AES, le **mode Recherche** peut aussi être choisi (à l'aide de VEConfigure seulement).

Si le mode Recherche est en position « on », la consommation de puissance en fonctionnement de non charge se réduit d'environ 70 %. Grâce à ce mode, le MultiPlus, quand il fonctionne en mode convertisseur, est arrêté en cas d'absence de charge ou de charge très faible, puis mis en marche toutes les deux secondes pour une courte période. Si le courant de charge dépasse le niveau défini, le convertisseur continue à fonctionner. Dans le cas contraire, le convertisseur s'arrête à nouveau.

Les niveaux de charge du mode Recherche « shut down » et « remain on » peuvent être configurée avec VEConfigure.

La configuration standard est :

Déconnecté : 40 Watt (charge linéaire)

Allumé : 100 Watt (charge linéaire)

Ce paramètre n'est pas réglable par des interrupteurs DIP. Applicable uniquement à une configuration indépendante.

Relais de terre (voir l'annexe B)

Avec ce relais, le conducteur neutre de la sortie CA est mis à la terre au châssis, lorsque le relais de réalimentation/sécurité est ouvert. Cela permet le fonctionnement correct des interrupteurs différentiels sur la sortie.

- Si une sortie non reliée à la terre est requise pendant le fonctionnement du convertisseur, cette fonction doit être désactivée. Voir Annexe A. Ce paramètre n'est pas réglable par des interrupteurs DIP.
- Modèles avec une capacité de transfert de 50 A seulement. Si cela est nécessaire, un relais de terre externe peut être connecté (pour un système à phase séparée avec un autotransformateur séparé). Voir l'Annexe A.

Courbe de charge de la batterie

La configuration standard est « adaptative en quatre étapes avec le mode BatterySafe ». Voir la section 2 pour une description.

C'est la principale caractéristique de charge. Consultez les fichiers d'aide du logiciel de configuration pour en savoir plus sur les autres fonctionnalités.

Le mode « Fixe » peut être sélectionné avec les interrupteurs DIP.

Type de batterie

Le réglage standard est le plus adapté aux batteries Victron Gel Deep Discharge, Gel Exide A200 et aux batteries fixes à plaques tubulaires (OPzS). Ce réglage peut être également utilisé pour beaucoup d'autres batteries : par exemple Victron AGM Deep Discharge et autres batteries AGM, ainsi que de nombreux types de batterie ouverte à plaques planes. Les interrupteurs DIP permettent de configurer quatre tensions de charge.

Durée d'absorption

Elle dépend de la durée bulk (courbe de charge adaptative) pour que la batterie soit chargée de manière optimale. Si la caractéristique de charge « fixe » est sélectionnée, la durée d'absorption est fixe. Pour la plupart des batteries, une durée d'absorption maximale de huit heures est adaptée. Si une tension d'absorption élevée supplémentaire est sélectionnée pour une charge rapide (possible uniquement pour les batteries ouvertes et à électrolyte liquide !), quatre heures sont préférables. Avec les interrupteurs DIP, il est possible de configurer huit ou quatre heures. Pour la courbe de charge adaptative, ce paramètre détermine la durée d'absorption maximale.

Tension de veille, Durée d'Absorption Répétée, Intervalle de Répétition d'Absorption

Voir la Section 2. Ce paramètre n'est pas réglable avec des interrupteurs DIP.

Protection bulk

Lorsque ce paramètre est défini sur « on », la durée de la charge bulk est limitée à 10 heures. Un temps de charge supérieur peut indiquer une erreur système (par exemple le court-circuit d'une cellule de batterie). Ce paramètre n'est pas réglable par des interrupteurs DIP.

Limite de courant d'entrée CA

Il s'agit de la configuration de la limite de courant qui déclenche l'activation des fonctions PowerControl et PowerAssist.

Plage de configuration PowerAssist :

- De 2,3 A à 16 A pour les modèles ayant une capacité de transfert de 16 A.
- De 5,3 A à 50 A pour les modèles ayant une capacité de transfert de 50 A.

Configuration d'usine : la valeur maximum (16 A ou 50 A).

Voir la section 2, le livre « Énergie Sans Limites » ou les nombreuses descriptions de cette fonction unique sur notre site Web www.victronenergy.com.

Fonction UPS

Si ce paramètre est défini sur « on » et que la tension d'entrée CA est défectueuse, le MultiPlus bascule en mode convertisseur pratiquement sans interruption. Le MultiPlus peut alors être utilisé comme un système d'alimentation sans coupure (UPS) pour les équipements sensibles, comme les ordinateurs ou les systèmes de communication.

Les configurations de la tension de sortie de certains petits générateurs sont trop instables ou déformées pour utiliser cette configuration. Le MultiPlus passerait constamment en mode convertisseur. Pour cette raison, ce paramètre peut être désactivé. Le MultiPlus répondra alors plus lentement aux écarts de la tension d'entrée CA. Le temps de basculement en mode convertisseur est donc légèrement plus long, mais cela ne cause aucun impact négatif pour la plupart des équipements (ordinateurs, horloges ou appareils ménagers).

Recommandation : Désactiver la fonction UPS si le MultiPlus échoue à se synchroniser ou s'il bascule en permanence en mode convertisseur.

Limiteur de courant dynamique

Conçue pour les groupes électrogènes, la tension CA est générée au moyen d'un convertisseur statique (appelé groupe électrogène convertisseur). Dans ces groupes, la vitesse de rotation est contrôlée si la charge est faible : cela réduit le bruit, la consommation de carburant et la pollution. Un des inconvénients est que la tension de sortie chutera fortement, ou même sera totalement coupée, dans le cas d'une augmentation brusque de la charge. Une charge supérieure peut être fournie uniquement après que le moteur a accéléré sa vitesse.

Si ce paramètre est défini sur « on », le MultiPlus commencera à délivrer plus de puissance à un faible niveau de sortie du générateur et permettra graduellement à ce dernier d'alimenter plus, jusqu'à ce que la limite de courant définie soit atteinte. Cela permet au moteur du groupe électrogène d'accélérer sa vitesse.

Ce paramètre est également souvent utilisé pour les groupes électrogènes « classiques » qui répondent lentement aux variations brusques de charge.

WeakAC

Une forte déformation de la tension d'entrée peut faire que le chargeur fonctionne moins bien ou même plus du tout. Si la fonction WeakAC est activée, le chargeur acceptera également une tension fortement déformée, au prix d'une déformation plus importante du courant d'entrée.

Recommandation : activer WeakAC si le chargeur charge mal ou pas du tout (ce qui est plutôt rare !). De même, activer simultanément le limiteur de courant dynamique et réduire le courant de charge maximal pour empêcher la surcharge du groupe électrogène si nécessaire.

Remarque : quand *WeakAC* est allumé, le courant de charge maximal est réduit d'environ 20 %.

Ce paramètre n'est pas réglable par des interrupteurs DIP.

BoostFactor

Modifier ce réglage uniquement après avoir consulté Victron Energy ou un technicien formé par Victron Energy !

Ce paramètre n'est pas réglable par des interrupteurs DIP.

Relais programmable

Par défaut, le relais multifonction est configuré comme relais d'alarme, c'est-à-dire que le relais est désamorçé dans le cas d'une alarme ou d'une pré-alarme (convertisseur presque trop chaud, ondulation d'entrée presque trop élevée, tension de batterie presque trop faible). Ce paramètre n'est pas réglable par des interrupteurs DIP.

Sortie CA auxiliaire (AC-out-2)

En plus de l'habituelle sortie sans coupure, une sortie auxiliaire (AC-out-2) est disponible pour déconnecter sa charge en cas de fonctionnement de la batterie. Exemple : une chaudière électrique ou un climatiseur ne pouvant fonctionner que si le genset est en marche ou si une puissance de quai est disponible.

En cas de fonctionnement de la batterie, la sortie AC-out-2 se coupe immédiatement. Une fois que l'alimentation CA est disponible, la sortie AC-out-2 se reconnecte dans un délai de 2 minutes, ce qui permet au genset de se stabiliser avant de se connecter à une charge lourde.

5.3 Configuration par ordinateur

Tous les réglages peuvent être modifiés par ordinateur ou via un tableau de commande VE.Net (à l'exception du relais multifonction et du VirtualSwitch lors de l'utilisation de VE.Net).

La plupart des réglages ordinaires (y compris le fonctionnement en parallèle et triphasé) peuvent être modifiés par l'intermédiaire d'interrupteurs DIP (voir la section 5.5).

Pour modifier les réglages par ordinateur, les conditions suivantes sont requises :

- Logiciel VEConfigureII, qui peut être téléchargé gratuitement sur notre site www.victronenergy.com.
- Un câble RJ-45 UTP et la carte d'interface RS-485/RS-232 MK2.2b Si votre ordinateur ne dispose pas de connexion RS-232, mais qu'il dispose d'un port USB, vous aurez également besoin d'un câble d'interface RS-232/USB. Les deux sont disponibles chez Victron Energy.

5.3.1 VE.Bus Quick Configure Setup

VE.Bus Quick Configure Setup est un logiciel qui permet de configurer, de manière simple, des systèmes avec un maximum de trois Multis (en parallèle ou en configuration triphasée). VEConfigureII fait partie de ce programme.

Ce logiciel peut être téléchargé gratuitement sur notre site www.victronenergy.com.

Pour un raccordement à votre ordinateur, un câble RJ-45 UTP et la carte d'interface RS-485/RS-232 **MK2.2b** sont requis.

Si votre ordinateur ne dispose pas de connexion RS-232, mais qu'il dispose d'un port USB, vous aurez également besoin d'un **câble d'interface RS-232/USB**. Les deux sont disponibles chez Victron Energy.

5.3.2 VE.Bus System Configurator

Pour configurer des applications avancées et/ou des systèmes avec quatre Multi ou plus, il est nécessaire d'utiliser le logiciel **VE.Bus System Configurator**. Ce logiciel peut être téléchargé gratuitement sur notre site www.victronenergy.com. VEConfigureII fait partie de ce programme.

Pour un raccordement à votre ordinateur, un câble RJ-45 UTP et la carte d'interface RS-485/RS-232 **MK2.2b** sont requis.

Si votre ordinateur ne dispose pas de connexion RS-232, mais qu'il dispose d'un port USB, vous aurez également besoin d'un **câble d'interface RS-232/USB**. Les deux sont disponibles chez Victron Energy.

5.4 Configuration avec un tableau de commande VE.Net

Pour ce faire, un tableau de commande VE.Net et le convertisseur VE.Net - VE.Bus sont requis.

Avec VE.Net, vous pouvez configurer tous les réglages, à l'exception du relais multifonction et du VirtualSwitch.

5.5 Configuration avec les interrupteurs DIP

Un certain nombre de réglages peuvent être modifiés avec les interrupteurs DIP (voir l'annexe A, position M).

Procédez comme suit :

Mettez le Multi en marche, de préférence déchargé et sans tension CA sur les entrées. Le Multi fonctionne alors en mode convertisseur.

Étape 1 : Configurez les interrupteurs DIP pour :

- la limite de courant requise de l'entrée CA.
- AES (Automatic Economy Switch)
- limite du courant de charge.
- sélection d'un fonctionnement indépendant, parallèle ou triphasé.

Pour mémoriser les réglages, après avoir défini les valeurs requises : appuyez sur le bouton « up » pendant 2 secondes (bouton **supérieur** à droite des interrupteurs DIP, voir l'annexe A, position K). Vous pouvez désormais réutiliser les interrupteurs DIP pour appliquer les réglages restants (étape 2).

Étape 2 : autres réglages

Pour mémoriser les réglages, après avoir défini les valeurs requises : appuyez sur le bouton « down » pendant 2 secondes (bouton **inférieur** à droite des interrupteurs DIP). Vous pouvez laisser les interrupteurs DIP sur la position choisie, de telle manière que les "autres réglages" puissent être récupérés.

Remarques :

- Les fonctions d'interrupteur DIP sont décrites « de haut en bas ». Puisque l'interrupteur DIP le plus haut possède le numéro le plus élevé (8), les descriptions commencent avec l'interrupteur numéroté 8.
 - En mode parallèle ou triphasé, tous les appareils n'ont pas besoin d'être configurés (voir la section 5.5.1.4).
- Pour configurer le mode parallèle ou triphasé, lisez d'abord la procédure de configuration en entier et notez les réglages d'interrupteur DIP à réaliser, avant de les appliquer réellement.

5.5.1 Étape 1

5.5.1.1 Limite de courant pour l'entrée CA (par défaut : 16 A pour les modèles avec un courant commutateur de transfert maximal de 16 A, et 50 A pour les modèles avec un courant commutateur de transfert maximal de 50 A)

Si la demande de courant (charge multiple + chargeur de batterie) menace de dépasser le courant défini, le Multi réduira d'abord son courant de charge (PowerControl) et fournira ensuite de la puissance supplémentaire à partir de la batterie (PowerAssist) si nécessaire.

La limite de courant de l'entrée CA peut être définie sur huit valeurs différentes par l'intermédiaire des interrupteurs DIP. Avec un tableau de commande Multi Control, une limite de courant variable peut être définie pour l'entrée CA.

Procédure

La limite de courant de l'entrée CA peut être définie à l'aide des interrupteurs DIP ds8, ds7 et ds6 (réglage par défaut : 50 A, automatiquement limité à 16 A pour les modèles 16 A).

Procédure : configurez les interrupteurs DIP sur les valeurs requises :

ds8	ds7	ds6	
off	off	off	= 6 A (1.4 kVA à 230 V)
off	off	on	= 10 A (2.3 kVA à 230 V)
off	on	off	= 12 A (2.8 kVA à 230 V)
off	on	on	= 16 A (3.7 kVA à 230 V)
on	off	off	= 20 A (4.6 kVA à 230 V)
on	off	on	= 25 A (5.7 kVA à 230 V)
on	on	off	= 30 A (6.9 kVA à 230 V)
on	on	on	= 50 A (11.5 kVA à 230 V)

Remarque : Les indications de puissance continue des fabricants de petits groupes électrogènes ont parfois tendance à être plutôt optimistes. Dans ce cas, la limite de courant doit être définie sur une valeur plus basse que la valeur calculée à partir des informations du fabricant.

5.5.1.2 AES (Automatic Economy Switch)

Procédure : configurez ds5 sur la valeur requise :

ds5	
off	= AES désactivé
on	= AES activé

5.5.1.3 Limite du courant de charge de la batterie (réglage par défaut 75 %)

Pour une longévité accrue de la batterie, un courant de charge de 10 % à 20 % de la capacité en Ah doit être appliqué.

Exemple : courant de charge optimal d'un banc de batterie 24 V / 500 Ah : 50 A à 100 A.

La sonde de température fournie règle automatiquement la tension de charge en fonction de la température de la batterie.

Si un chargement plus rapide - et pour autant un courant plus élevé - est requis :

- La sonde de température fournie doit toujours être installée, puisque la charge rapide peut entraîner une forte montée en température du banc de batterie. La tension de charge sera adaptée à la plus haute température (c'est-à-dire qu'elle sera abaissée) par l'intermédiaire d'une sonde de température.

- Le temps de charge bulk sera parfois si court qu'une durée d'absorption fixe serait plus satisfaisante (durée d'absorption fixe, voir ds5, étape 2).

Procédure

Le courant de charge de la batterie peut être établi en quatre étapes, par l'intermédiaire des interrupteurs DIP ds4 et ds3 (réglage par défaut : 75%).

ds4	ds3
off	off = 25 %
off	on = 50 %
on	off = 75 %
on	on = 100 %

Remarque : quand *WeakAC* est allumé, le courant de charge maximal est réduit de 100 % à environ 80 %.

5.5.1.4 Fonctionnement indépendant, parallèle ou triphasé

En utilisant les interrupteurs DIP ds2 et ds1, trois configurations du système peuvent être sélectionnées.

REMARQUE :

- Toutes les unités d'un système en parallèle ou triphasé doivent être connectées à la même batterie. Le câblage CC et CA de toutes les unités doit être de la même longueur et avoir la même section efficace.
- Lors de la configuration d'un système en parallèle ou triphasé, tous les appareils associés doivent être interconnectés avec des câbles RJ-45 UTP (voir l'annexe C, D). Tous les appareils doivent être en marche. Par conséquent, ils renverront un code erreur (voir la section 7), puisqu'ils sont intégrés à un système alors qu'ils sont encore configurés en mode indépendant. Ce message d'erreur peut donc être ignoré sans problème.
- La mémorisation des configuration (en appuyant sur le bouton "Up" (étape 1) – et ensuite le bouton "Down" (étape 2) – pendant 2 secondes) ne devrait être réalisée que sur un seul appareil. Cet appareil est le « maître » dans un système parallèle ou le « meneur » (L1) dans un système triphasé.
Dans un système parallèle, le réglage à l'étape 1 des interrupteurs DIP ds8 à ds3 doit être exécuté uniquement sur le maître. Les esclaves suivront le maître en fonction de ces réglages (d'où la relation maître/esclave).
Dans un système triphasé, un certain nombre de réglages sont nécessaires pour les autres appareils, c'est-à-dire les suiveurs (pour les phases L2 et L3).
(Par conséquent, les suiveurs ne suivent pas toujours les réglages du meneur, d'où la terminologie meneur/suiveur).
- Une modification du réglage « indépendant/parallèle/triphasé » est activée uniquement après avoir mémorisé la configuration (en appuyant sur le bouton « UP » pendant 2 secondes) **et** après avoir arrêté et redémarré tous les appareils. Pour pouvoir démarrer un système VE.Bus correctement, tous les appareils doivent par conséquent être arrêtés après la mémorisation de la configuration. Ils peuvent être mis en marche dans n'importe quel ordre. Le système ne démarrera pas tant que tous les appareils ne sont pas en marche.
- Notez que seuls des appareils identiques peuvent être intégrés dans un système. Toute tentative d'utiliser différents modèles pour un système échouera. Lesdits appareils pourront peut-être fonctionner de nouveau correctement, seulement après une configuration individuelle en mode indépendant.

Les interrupteurs DIP ds2 et ds1 sont réservés à la sélection du fonctionnement indépendant, parallèle ou triphasé

La combinaison **ds2** = on et **ds1** = on n'est pas utilisée.

Fonctionnement indépendant

Étape 1 : Configuration des interrupteurs ds2 et ds1 pour un fonctionnement indépendant

DS-8 Entrée CA	Réglage souhaité	
DS-7 Entrée CA	Réglage souhaité	
DS-6 Entrée CA	Réglage souhaité	
DS-5 AES	Réglage souhaité	
DS-4 Courant de charge	Réglage souhaité	
DS-3 Courant de charge	Réglage souhaité	
DS-2 Fonctionnement indépendant		éteinte
DS-1 Fonctionnement indépendant		éteinte

Des exemples de réglage des interrupteurs DIP pour le mode indépendant sont détaillés ci-dessous.

L'exemple 1 illustre le réglage d'usine (puisque les réglages d'usine sont effectués par ordinateur, tous les interrupteurs DIP d'un appareil neuf sont réglés sur « off » et ne reflètent pas les réglages dans le microprocesseur).

Quatre exemples de réglages du mode indépendant :

<table border="1"> <tr><td>DS-8 Entrée CA</td><td>allumée</td><td></td></tr> <tr><td>DS-7 Entrée CA</td><td>allumée</td><td></td></tr> <tr><td>DS-6 Entrée CA</td><td>allumée</td><td></td></tr> <tr><td>DS-5 AES</td><td></td><td>éteinte</td></tr> <tr><td>DS-4 Courant de charge</td><td>allumée</td><td></td></tr> <tr><td>DS-3 Courant de charge</td><td></td><td>éteinte</td></tr> <tr><td>DS-2 Mode indépendant</td><td></td><td>éteinte</td></tr> <tr><td>DS-1 Mode indépendant</td><td></td><td>éteinte</td></tr> </table> <p>Étape 1, indépendant Exemple 1 (réglage d'usine) : 8, 7, 6 AC-in: 50 A* 5 AES: éteinte 4, 3 Courant de charge : 75 % 2, 1 Mode indépendant</p>	DS-8 Entrée CA	allumée		DS-7 Entrée CA	allumée		DS-6 Entrée CA	allumée		DS-5 AES		éteinte	DS-4 Courant de charge	allumée		DS-3 Courant de charge		éteinte	DS-2 Mode indépendant		éteinte	DS-1 Mode indépendant		éteinte	<table border="1"> <tr><td>DS-8</td><td>allumée</td><td></td></tr> <tr><td>DS-7</td><td>allumée</td><td></td></tr> <tr><td>DS-6</td><td>allumée</td><td></td></tr> <tr><td>DS-5</td><td></td><td>éteinte</td></tr> <tr><td>DS-4</td><td>allumée</td><td></td></tr> <tr><td>DS-3</td><td>allumée</td><td></td></tr> <tr><td>DS-2</td><td></td><td>éteinte</td></tr> <tr><td>DS-1</td><td></td><td>éteinte</td></tr> </table> <p>Étape 1, indépendant Exemple 2 : 8, 7, 6 AC-in: 50 A* 5 AES: éteinte 4, 3 Charge : 100 % 2, 1 Indépendant</p>	DS-8	allumée		DS-7	allumée		DS-6	allumée		DS-5		éteinte	DS-4	allumée		DS-3	allumée		DS-2		éteinte	DS-1		éteinte	<table border="1"> <tr><td>DS-8</td><td></td><td>éteinte</td></tr> <tr><td>DS-7</td><td>allumée</td><td></td></tr> <tr><td>DS-6</td><td>allumée</td><td></td></tr> <tr><td>DS-5</td><td></td><td>éteinte</td></tr> <tr><td>DS-4</td><td>allumée</td><td></td></tr> <tr><td>DS-3</td><td>allumée</td><td></td></tr> <tr><td>DS-2</td><td></td><td>éteinte</td></tr> <tr><td>DS-1</td><td></td><td>éteinte</td></tr> </table> <p>Étape 1, indépendant Exemple 3 : 8, 7, 6 AC-in: 16 A 5 AES: éteinte 4, 3 Charge : 100 % 2, 1 Indépendant</p>	DS-8		éteinte	DS-7	allumée		DS-6	allumée		DS-5		éteinte	DS-4	allumée		DS-3	allumée		DS-2		éteinte	DS-1		éteinte	<table border="1"> <tr><td>DS-8</td><td>allumée</td><td></td></tr> <tr><td>DS-7</td><td>allumée</td><td></td></tr> <tr><td>DS-6</td><td></td><td>éteinte</td></tr> <tr><td>DS-5</td><td>allumée</td><td></td></tr> <tr><td>DS-4</td><td></td><td>éteinte</td></tr> <tr><td>DS-3</td><td>allumée</td><td></td></tr> <tr><td>DS-2</td><td></td><td>éteinte</td></tr> <tr><td>DS-1</td><td></td><td>éteinte</td></tr> </table> <p>Étape 1, indépendant Exemple 4 : 8, 7, 6 AC-in: 30 A* 5 AES: allumée 4, 3 Charge : 50 % 2, 1 Indépendant</p>	DS-8	allumée		DS-7	allumée		DS-6		éteinte	DS-5	allumée		DS-4		éteinte	DS-3	allumée		DS-2		éteinte	DS-1		éteinte
DS-8 Entrée CA	allumée																																																																																																		
DS-7 Entrée CA	allumée																																																																																																		
DS-6 Entrée CA	allumée																																																																																																		
DS-5 AES		éteinte																																																																																																	
DS-4 Courant de charge	allumée																																																																																																		
DS-3 Courant de charge		éteinte																																																																																																	
DS-2 Mode indépendant		éteinte																																																																																																	
DS-1 Mode indépendant		éteinte																																																																																																	
DS-8	allumée																																																																																																		
DS-7	allumée																																																																																																		
DS-6	allumée																																																																																																		
DS-5		éteinte																																																																																																	
DS-4	allumée																																																																																																		
DS-3	allumée																																																																																																		
DS-2		éteinte																																																																																																	
DS-1		éteinte																																																																																																	
DS-8		éteinte																																																																																																	
DS-7	allumée																																																																																																		
DS-6	allumée																																																																																																		
DS-5		éteinte																																																																																																	
DS-4	allumée																																																																																																		
DS-3	allumée																																																																																																		
DS-2		éteinte																																																																																																	
DS-1		éteinte																																																																																																	
DS-8	allumée																																																																																																		
DS-7	allumée																																																																																																		
DS-6		éteinte																																																																																																	
DS-5	allumée																																																																																																		
DS-4		éteinte																																																																																																	
DS-3	allumée																																																																																																		
DS-2		éteinte																																																																																																	
DS-1		éteinte																																																																																																	

*Le maximum est limité à 16 A pour les modèles ayant un commutateur de transfert de 16 A.

Pour mémoriser les réglages, après avoir défini les valeurs requises : appuyez sur le bouton « Up » pendant 2 secondes (bouton supérieur à droite des interrupteurs DIP, voir l'annexe A, position J). **Les LED "surcharge" et "batterie faible" vont clignoter pour indiquer que les réglages sont acceptés.**

Nous recommandons de noter les réglages et de conserver ces informations en lieu sûr. Vous pouvez désormais réutiliser les interrupteurs DIP pour appliquer les réglages restants (étape 2).

Fonctionnement en parallèle (annexe C)

Étape 1 : Configuration des interrupteurs ds2 et ds1 pour un fonctionnement en parallèle

Maître			Esclave 1			Esclave 2 (en option)		
DS-8 Entrée CA	Réglage		DS-8 NA			DS-8 NA		
DS-7 Entrée CA	Réglage		DS-7 NA			DS-7 NA		
DS-6 Entrée CA	Réglage		DS-6 NA			DS-6 NA		
DS-5 AES NA			DS-5 NA			DS-5 NA		
DS-4 Cour.charge	Réglage		DS-4 NA			DS-4 NA		
DS-3 Cour.charge	Réglage		DS-3 NA			DS-3 NA		
DS-2 Maître		éteinte	DS-2 Esclave 1		éteinte	DS-2 Esclave 2		éteinte
DS-1 Maître		allumée	DS-1 Esclave 1		éteinte	DS-1 Esclave 2	allumée	

Les réglages actuels (limite de courant CA et courant de charge) sont multipliés par le nombre d'appareils. Cependant, le réglage de limite du courant CA, lors de l'utilisation d'un tableau de commande à distance, correspond toujours à la valeur indiquée sur ce tableau et **ne doit pas** être multiplié par le nombre d'appareils.

Exemple : Système parallèle de 9 kVA

- Si une limite de courant d'entrée CA de 20 A est définie sur le maître et que le système est composé de trois appareils, alors la limite de courant réelle du système sera égale à $3 \times 20 = 60$ A.
- Si un tableau de commande de 30 A est raccordé au maître, la limite de courant du système est réglable jusqu'à 30 A maximum, quel que soit le nombre d'appareils.
- Si le courant de charge sur le maître est défini sur 100 % (70 A pour un Multi 24/3000/70) et que le système est composé de trois appareils, alors le courant de charge réel du système sera égal à $3 \times 70 = 210$ A.

Les réglages conformément à cet exemple (système parallèle de 9 kVA avec un tableau Multi Control 30 A) sont les suivants :

Maître			Esclave 1			Esclave 2		
DS-8 NA (tableau 30 A)			DS-8 NA			DS-8 NA		
DS-7 NA (tableau 30 A)			DS-7 NA			DS-7 NA		
DS-6 NA (tableau 30 A)			DS-6 NA			DS-6 NA		
DS-5 AES NA			DS-5 NA			DS-5 NA		
DS-4 Cour.charge 3x70 A	allumée		DS-4 NA			DS-4 NA		
DS-3 Cour.charge 3x70 A	allumée		DS-3 NA			DS-3 NA		
DS-2 Maître		éteinte	DS-2 Esclave 1		éteinte	DS-2 Esclave 2		éteinte
DS-1 Maître		allumée	DS-1 Esclave 1		éteinte	DS-1 Esclave 2	allumée	

Pour mémoriser les réglages, après avoir défini les valeurs requises : appuyez sur le bouton du **maître** pendant 2 secondes (bouton **supérieur** à droite des interrupteurs DIP, voir l'annexe A, position J). **Les LED "surcharge" et « batterie faible" vont clignoter pour indiquer que les réglages sont acceptés.**

Nous recommandons de noter les réglages et de conserver ces informations en lieu sûr. Vous pouvez désormais réutiliser les interrupteurs DIP pour appliquer les réglages restants (étape 2).

Fonctionnement triphasé (annexe D)

Étape 1 : Configuration des interrupteurs ds2 et ds1 pour un fonctionnement triphasé

Meneur (L1)			Suiveur (L2)			Suiveur (L3)		
DS-8 Entrée CA Réglage			DS-8 Réglage			DS-8 Réglage		
DS-7 Entrée CA Réglage			DS-7 Réglage			DS-7 Réglage		
DS-6 Entrée CA Réglage			DS-6 Réglage			DS-6 Réglage		
DS-5 AES NA			DS-5 NA			DS-5 NA		
DS-4 Cour.charge Réglage			DS-4 NA			DS-4 NA		
DS-3 Cour.charge Réglage			DS-3 NA			DS-3 NA		
DS-2 Meneur	allumée		DS-2 Suiveur 1	éteinte		DS-2 Suiveur 2		éteinte
DS-1 Meneur		éteinte	DS-1 Suiveur 1	éteinte		DS-1 Suiveur 2	allumée	

Comme indiqué dans le tableau ci-dessus, les limites de courant CA pour chaque phase doivent être définies séparément (ds8 à ds6). Différentes limites de courant par phase peuvent être sélectionnées.

Si un tableau de commande est raccordé, la limite du courant de l'entrée CA sera égale à la valeur définie sur le tableau pour l'ensemble des trois phases.

AES peut être utilisé uniquement sur des appareils en mode indépendant.

Le courant de charge maximal est le même pour tous les appareils et doit être défini seulement sur le meneur (ds4 et ds3)

Exemple :

- Limite de courant d'entrée CA sur le meneur et les suiveurs : 12 A
- Si le courant de charge sur le meneur est défini sur 100 % (70 A pour un Multi 24/3000/70) et que le système est composé de trois appareils, alors le courant de charge réel du système sera égal à $3 \times 70 = 210$ A.

Les réglages répondant à cet exemple (système triphasé de 9 kVA sans tableau de contrôle Multi Control) sont les suivants :

Meneur (L1)			Suiveur (L2)			Suiveur (L3)		
DS-8 Entrée CA 12 A		éteinte	DS-8 AC-in 12 A		éteinte	DS-8 AC-in 12 A		éteinte
DS-7 Entrée CA 12 A	allumée		DS-7 AC-in 12 A	allumée		DS-7 AC-in 12 A	allumée	
DS-6 Entrée CA 12 A		éteinte	DS-6 AC-in 12 A		éteinte	DS-6 AC-in 12 A		éteinte
DS-5 AES NA			DS-5 NA			DS-5 NA		
DS-4 Cour.charge 3x70 A	allumée		DS-4 NA			DS-4 NA		
DS-3 Cour.charge 3x70 A	allumée		DS-3 NA			DS-3 NA		
DS-2 Meneur	allumée		DS-2 Suiveur 1		éteinte	DS-2 Suiveur 2		éteinte
DS-1 Meneur		éteinte	DS-1 Suiveur 1		éteinte	DS-1 Suiveur 2	allumée	

Pour mémoriser les réglages, après avoir défini les valeurs requises : appuyez sur le bouton du **maître** pendant 2 secondes (bouton **supérieur** à droite des interrupteurs DIP, voir l'annexe A, position K). **Les LED "surcharge" et "batterie faible" vont clignoter pour indiquer que les réglages sont acceptés.**

Nous recommandons de noter les réglages et de conserver ces informations en lieu sûr.

Vous pouvez désormais réutiliser les interrupteurs DIP pour appliquer les réglages restants (étape 2).

5.5.2 Étape 2 : Autres réglages

Les réglages restants ne sont pas applicables (**NA**) aux esclaves.

Certains des réglages restants ne sont pas applicables aux suiveurs (**L2 ; L3**). Ces réglages sont imposés à l'ensemble du système par le meneur **L1**. Si un réglage n'est pas applicable aux appareils **L2, L3**, cela sera indiqué explicitement.

ds8-ds7: Réglage des tensions de charge (**non applicable à L2, L3**)

ds8-ds7	Tension d'absorption	Tension float	Tension de veille	Convient pour
off off	14.1 28.2 56.4	13.8 27.6 55.2	13.2 26.4 52.8	Gel Victron Long Life (OPzV) Gel Exide A600 (OPzV) Batterie Gel MK
off on	14.4 28.8 57.6	13.8 27.6 55.2	13.2 26.4 52.8	Gel Victron Deep Discharge Gel Exide A200 AGM Victron Deep Discharge Batterie fixe à plaques tubulaires (OPzS)
on off	14.7 29.4 58.8	13.8 27.6 55.2	13.2 26.4 52.8	AGM Victron Deep Discharge Batteries traction à plaques tubulaires en mode semi-float AGM Spiral Cell
on on	15.0 30.0 60.0	13.8 27.6 55.2	13.2 26.4 52.8	Batteries traction à plaques tubulaires en mode cyclique

ds6 : durée d'absorption 8 ou 4 heures (**NA pour L2, L3**) on = 8 heures off = 4 heures

ds5 : caractéristique de charge adaptative (**NA pour L2, L3**) on = active off = inactive (inactive = durée d'absorption fixe)

ds4 : limiteur de courant dynamique on = actif off = inactif

ds3 : fonction UPS on = active off = inactive

ds2 : tension convertisseur on = 230 V off = 240 V

ds1 : fréquence convertisseur (**NA pour L2, L3**) on = 50 Hz off = 60 Hz
(La large plage de fréquence d'entrée (45-55 Hz) est « on » par défaut)

Étape 2 : Exemple de réglages pour le mode indépendant

L'exemple 1 illustre le réglage d'usine (comme les réglages d'usine sont effectués par ordinateur, tous les interrupteurs DIP d'un appareil neuf sont réglés sur « off » et ne reflètent pas les réglages dans le microprocesseur).

DS-8 Tens ⁹ charge		éteinte	DS-8		éteinte	DS-8	allumée		DS-8	allumée	
DS-7 Tens ⁹ charge	allumée		DS-7		éteinte	DS-7		éteinte	DS-7	allumée	
DS-6 Durée d'absorption	allumée		DS-6	allumée		DS-6	allumée		DS-6		éteinte
DS-5 Charge adapt.	allumée		DS-5	allumée		DS-5	allumée		DS-5		éteinte
DS-4 Limit.cour.dyn		éteinte	DS-4		éteinte	DS-4	allumée		DS-4		éteinte
DS-3 Fonc ⁹ UPS :	allumée		DS-3		éteinte	DS-3		éteinte	DS-3	allumée	
DS-2 Tension	allumée		DS-2	allumée		DS-2		éteinte	DS-2		éteinte
DS-1 Fréquence	allumée		DS-1	allumée		DS-1	allumée		DS-1		éteinte
Étape 2 Exemple 1 (réglage d'usine) : 8, 7 GEL 14,4 V 6 Durée d'absorption : 8 heures 5 Charge adaptative : allumée 4 Limiteur de courant dynamique : éteinte 3 Fonction UPS : allumée 2 Tension : 230 V 1 Fréquence : 50 Hz			Étape 2 Exemple 2 : 8, 7 OPzV 14,1 V 6 Durée d'absorption : 8 h 5 Charge adaptative : allumée 4 Limiteur courant dynamique : éteinte 3 Fonction UPS : éteinte 2 Tension : 230 V 1 Fréquence : 50 Hz			Étape 2 Exemple 3 : 8, 7 AGM 14,7 V 6 Durée d'absorption : 8 h 5 Charge adaptative : allumée 4 Limiteur courant dynamique : allumée 3 Fonction UPS : éteinte 2 Tension : 240 V 1 Fréquence : 50 Hz			Étape 2 Exemple 4 : 8, 7 plaque tubulaire 15 V 6 Durée d'absorption : 4 h 5 Durée d'absorption fixe 4 Limiteur courant dynamique : éteinte 3 Fonction UPS : allumée 2 Tension : 240 V 1 Fréquence : 60 Hz		

Pour mémoriser les réglages, après avoir défini les valeurs requises : appuyez sur le bouton « down » pendant 2 secondes (bouton inférieur à droite des interrupteurs DIP). **Les LED « température » et « batterie faible » clignoteront pour indiquer que les réglages sont acceptés.**

Vous pouvez laisser les interrupteurs DIP sur les positions choisies, de telle manière que les « autres réglages » puissent toujours être récupérés.

Étape 2 : Exemple de réglages pour le mode parallèle

Dans cet exemple le maître est configuré conformément aux réglages d'usine.
Les esclaves ne nécessitent aucun réglage !

Maître			Esclave 1			Esclave 2		
DS-8 Tension de charge (GEL 14,4 V)		éteinte	DS-8 NA			DS-8 NA		
DS-7 Tension de charge (GEL 14,4 V)	allumée		DS-7 NA			DS-7 NA		
DS-6 Durée d'absorption (8 h)	allumée		DS-6 NA			DS-6 NA		
DS-5 Charge adaptative (on)	allumée		DS-5 NA			DS-5 NA		
DS-4 Limiteur courant dynamique (off)		éteinte	DS-4 NA			DS-4 NA		
DS-3 Fonction UPS (on)	allumée		DS-3 NA			DS-3 NA		
DS-2 Tension (230 V)	allumée		DS-2 NA			DS-2 NA		
DS-1 Fréquence (50 Hz)	allumée		DS-1 NA			DS-1 NA		

Pour mémoriser les réglages, après avoir défini les valeurs requises : appuyez sur le bouton « down » pendant 2 secondes (bouton inférieur à droite des interrupteurs DIP). **Les LED « température » et « batterie faible » clignoteront pour indiquer que les réglages sont acceptés.**

Vous pouvez laisser les interrupteurs DIP sur les positions choisies, de telle manière que les « autres réglages » puissent toujours être récupérés.

Pour démarrer le système : d'abord, arrêtez tous les appareils. Le système démarrera dès que tous les appareils seront en marche.

Étape 2 : Réglages d'exemple pour le mode triphasé

Dans cet exemple le meneur est configuré conformément aux réglages d'usine.

Meneur (L1)			Suiveur (L2)			Suiveur (L3)		
DS-8 Tens ^o charge. GEL 14,4V		éteinte	DS-8 NA			DS-8 NA		
DS-7 Tension charge. GEL 14,4V	allumée		DS-7 NA			DS-7 NA		
DS-6 Durée d'absorption (8 h)	allumée		DS-6 NA			DS-6 NA		
DS-5 Charge adaptative (on)	allumée		DS-5 NA			DS-5 NA		
DS-4 Limiteur courant dynamique		éteinte	DS-4 Limit.cour.dyn. (off)		éteinte	DS-4 Limit.cour.dyn (off)		éteinte
DS-3 Fonction UPS (on)	allumée		DS-3 Fonction UPS (on)	allumée		DS-3 Fonction UPS (on)	allumée	
DS-2 Tension (230 V)	allumée		DS-2 Tension (230 V)	allumée		DS-2 Tension (230 V)	allumée	
DS-1 Fréquence (50 Hz)	allumée		DS-1 NA			DS-1 NA		

Pour mémoriser les réglages, après avoir défini les valeurs requises : appuyez sur le bouton « down » pendant 2 secondes (bouton inférieur à droite des interrupteurs DIP). **Les LED « température » et « batterie faible » clignoteront pour indiquer que les réglages sont acceptés.**

Vous pouvez laisser les interrupteurs DIP sur les positions choisies, de telle manière que les « autres réglages » puissent toujours être récupérés. **Pour démarrer le système : d'abord, arrêtez tous les appareils. Le système démarrera dès que tous les appareils seront en marche.**

6. Maintenance

Le MultiPlus ne nécessite aucune maintenance particulière. Il suffit de vérifier les raccordements une fois par an. Évitez l'humidité et l'huile/suie/vapeur, et conservez l'appareil propre.

7. Indications d'erreurs

La procédure ci-dessous permet d'identifier rapidement la plupart des erreurs. Si une erreur ne peut pas être résolue, veuillez en référer à votre fournisseur Victron Energy.

7.1 Indication d'erreur générale

Problème	Cause possible	Solution possible
Pas de tension de sortie sur AC-out-2.	MultiPlus en mode convertisseur Fusible F3 défectueux (voir l'annexe A).	Supprimer la surcharge ou le court-circuit sur AC-out-2 et remplacer le fusible F3 (16 A).
Le Multi ne bascule pas sur le groupe électrogène ou en mode secteur.	Le disjoncteur ou le fusible dans l'entrée AC-in est ouvert à la suite d'une surcharge.	Supprimer la surcharge ou le court-circuit sur AC-out-1 ou AC-out-2 et remplacer le fusible/disjoncteur.
Le convertisseur ne démarre pas à la mise en marche.	La tension de batterie est trop haute ou trop basse. Aucune tension sur la connexion CC.	S'assurer que la tension de batterie est dans la plage correcte.
La LED « Batterie faible » clignote.	La tension de batterie est faible.	Charger la batterie ou vérifier les raccordements de batterie.
La LED « Batterie faible » est allumée.	Le convertisseur s'est arrêté parce que la tension de batterie est trop faible.	Charger la batterie ou vérifier les raccordements de batterie.
La LED « surcharge » clignote.	La charge du convertisseur est plus élevée que la charge nominale.	Réduire la charge.
La LED « surcharge » est allumée.	Le convertisseur s'est arrêté parce que la charge est trop élevée.	Réduire la charge.
La LED « Température » clignote ou est allumée.	La température ambiante est élevée ou la charge est trop élevée.	Installer le convertisseur dans un environnement frais et bien ventilé ou réduire la charge.
Les LED « batterie faible » ou « surcharge » clignotent par intermittence.	La tension de batterie est faible et la charge est trop élevée.	Charger les batteries, débrancher ou réduire la charge, ou installer des batteries d'une capacité supérieure. Installer des câbles de batterie plus courts et/ou plus épais.
Les LED « batterie faible » ou « surcharge » clignotent simultanément.	La tension d'ondulation sur la connexion CC dépasse 1,5 V rms.	Vérifier les raccordements et les câbles de la batterie. Contrôler si la capacité de batterie est suffisamment élevée et l'augmenter si nécessaire.
Les LED « batterie faible » ou « surcharge » sont allumées.	Le convertisseur s'est arrêté parce que la tension d'ondulation est trop élevée sur l'entrée.	Installer des batteries avec une capacité plus grande. Installer des câbles de batterie plus courts et/ou plus épais, puis réinitialiser le convertisseur (arrêter et redémarrer).

Une alarme LED est allumée et une seconde clignote.	Le convertisseur s'est arrêté du fait de l'activation de l'alarme de la LED allumée. La LED clignotante signale que le convertisseur était sur le point de s'arrêter à cause de l'alarme correspondante.	Se référer à ce tableau pour prendre les mesures appropriées en fonction de l'état d'alarme.
Le chargeur ne fonctionne pas.	La tension ou la fréquence de l'entrée CA n'est pas dans la plage définie.	S'assurer que l'entrée CA est comprise entre 185 V CA et 265 V CA, et que la fréquence est dans la plage définie (45-65 Hz par défaut).
	Le disjoncteur ou le fusible dans l'entrée AC-in est ouvert à la suite d'une surcharge.	Supprimer la surcharge ou le court-circuit sur AC-out-1 ou AC-out-2 et remplacer le fusible/disjoncteur.
	Le fusible de la batterie a grillé.	Remplacer le fusible de la batterie.
	La déformation ou la tension de l'entrée CA est trop grande (généralement alimentation groupe).	Activer les paramètres WeakAC et limiteur de courant dynamique.
Le chargeur ne fonctionne pas. LED « bulk » clignotante. LED « Mains on » allumée.	Le MultiPlus est en mode « Protection Bulk » car le temps de charge bulk maximal de 10 heures est dépassé. Un temps de charge si long peut indiquer une erreur système (par exemple le court-circuit d'une cellule de batterie).	Vérifiez vos batteries. REMARQUE : Vous pouvez réinitialiser le mode erreur en éteignant puis rallumant le MultiPlus. Dans les paramètres d'usine du MultiPlus standard, le mode « Protection Bulk » est configuré sur allumé. Le mode « Protection Bulk » ne peut être éteint qu'à l'aide du VEConfigure.
La batterie n'est pas complètement chargée.	Le courant de charge est trop élevé, provoquant une phase d'absorption prématurée.	Régler le courant de charge sur une valeur entre 0,1 et 0,2 fois la capacité de la batterie.
	Connexion de la batterie défectueuse.	Vérifiez les branchements de la batterie.
	La tension d'absorption a été définie sur une valeur incorrecte (trop faible).	Régler la tension d'absorption sur une valeur correcte.
	La tension float a été définie sur une valeur incorrecte (trop faible).	Régler la tension float sur une valeur correcte.
	Le temps de charge disponible est trop court pour charger entièrement la batterie.	Sélectionner un temps de charge plus long ou un courant de charge plus élevé.
La batterie est surchargée.	La durée d'absorption est trop courte. Pour une charge adaptative, cela peut être provoqué par un courant de charge très élevé par rapport à la capacité de la batterie et, par conséquent, la durée bulk est insuffisante.	Réduire le courant de charge ou sélectionner la caractéristique de charge fixe.
	La tension d'absorption est définie sur une valeur incorrecte (trop élevée).	Régler la tension d'absorption sur une valeur correcte.
	La tension float est définie sur une valeur incorrecte (trop élevée).	Régler la tension float sur une valeur correcte.
	Condition de la batterie défectueuse.	Remplacer la batterie.
Le courant de charge chute à 0 dès que la phase d'absorption démarre.	La température de la batterie est trop élevée (à cause d'une ventilation insuffisante, d'une température ambiante trop élevée ou d'un courant de charge trop important).	Améliorer la ventilation, installer les batteries dans un environnement plus frais, réduire le courant de charge et connecter la sonde de température
	La batterie est en surchauffe (>50 C)	<ul style="list-style-type: none"> – Installer la batterie dans un environnement plus frais. – Réduire le courant de charge. – Vérifier si l'une des cellules de la batterie ne présente pas un court-circuit interne.
	Sonde de température de la batterie défectueuse	Débrancher la fiche de la sonde de batterie du MultiPlus. Si la charge fonctionne correctement après environ 1 minute, c'est que la sonde de température doit être remplacée.

7.2 Indications des LED spéciales

(Pour les indications des LED normales, voir la section 3.4)

Les LED bulk et absorption clignotent de manière synchronisée (simultanément).	Erreur de la sonde de tension. La tension mesurée sur la connexion de la sonde de tension s'écarte trop (plus de 7 V) de la tension sur les connexions positive et négative de l'appareil. Il s'agit probablement d'une erreur de connexion. L'appareil reste en fonctionnement normal. REMARQUE : si la LED « inverter on » clignote en opposition de phase, il s'agit d'un code d'erreur VE.Bus (voir ci-après).
Les LED float et absorption clignotent de manière synchronisée (simultanément).	La température de la batterie mesurée présente une valeur absolument invraisemblable. La sonde est probablement défectueuse ou n'est pas connectée correctement. L'appareil reste en fonctionnement normal. REMARQUE : si la LED « inverter on » clignote en opposition de phase, il s'agit d'un code d'erreur VE.Bus (voir ci-après).
La LED « mains on » clignote et il n'existe aucune tension de sortie.	L'appareil est en mode « charger only » et l'alimentation secteur est présente. L'appareil rejette l'alimentation secteur ou est en cours de synchronisation.

7.3 Indications des LED du VE.Bus

Les appareils intégrés dans un système VE.Bus (configuration parallèle ou triphasée) peuvent produire des indications des LED du VE.Bus. Ces indications des LED peuvent être divisées en deux groupes : Codes OK et codes Erreur.

7.3.1 Code OK du VE.Bus

Si l'état interne d'un appareil est en ordre mais que l'appareil ne peut pas démarrer parce qu'un ou plusieurs appareils du système signalent un état d'erreur, les appareils qui sont en ordre signaleront un code OK. Cela facilite le suivi d'erreur dans un système VE.Bus, puisque les appareils en bon état sont facilement identifiés comme tels.

Important : Les codes OK s'afficheront uniquement si un appareil n'est pas en mode convertisseur ou chargeur !

- Une LED « bulk » clignotante signale que l'appareil peut fonctionner en mode convertisseur.
- Une LED « float » clignotante signale que l'appareil peut fonctionner en mode chargeur.

REMARQUE : En principe, toutes les autres LED doivent être éteintes. Si ce n'est pas le cas, le code n'est pas un code OK. Cependant, les exceptions suivantes s'appliquent :

- Les indications des LED spéciales ci-dessus peuvent se produire avec les codes OK.
- La LED « low battery » peut fonctionner avec le code OK qui indique que l'appareil peut charger.

7.3.2 Code d'erreur du VE.Bus

Un système VE.Bus peut afficher différents codes d'erreur. Ces codes sont affichés par l'intermédiaire des LED « inverter on », « bulk », « absorption » et « float ».

Pour interpréter correctement un code d'erreur VE.Bus, la procédure suivante doit être respectée :

7. Est-ce que la LED « inverter on » clignote ? Si ce n'est pas le cas, il **ne s'agit pas** d'un code d'erreur VE.Bus.
8. Si une ou plusieurs LED « bulk », « absorption » ou « float » clignotent, alors ce clignotement doit être en opposition de phase avec la LED « inverter on », c'est-à-dire que les LED clignotantes sont éteintes lorsque la LED « inverter on » est allumée, et vice versa. Si ce n'est pas le cas, il **ne s'agit pas** d'un code d'erreur VE.Bus.
9. Vérifier la LED « bulk » et déterminer lequel des trois tableaux ci-dessous doit être utilisé.
10. Sélectionner la colonne et la rangée correctes (en fonction des LED « absorption » et « float »), puis déterminer le code d'erreur.
11. Déterminer la signification du code dans le tableau suivant.

LED bulk éteinte

		LED absorption		
		éteinte	clignotante	allumée
LED float	éteinte	0	3	6
	clignotante	1	4	7
	allumée	2	5	8

LED « bulk » clignotante

		LED absorption		
		éteinte	clignotante	allumée
LED float	éteinte	9	12	15
	clignotante	10	13	16
	allumée	11	14	17

LED « bulk » allumée

		LED absorption		
		éteinte	clignotante	allumée
LED float	éteinte	18	21	24
	clignotante	19	22	25
	allumée	20	23	26

Code	Signification :	Cause/Solution :
1	L'appareil s'est arrêté parce que l'une des autres phases du système s'est arrêtée.	Vérifier la phase défaillante.
3	Tous les appareils prévus n'ont pas été trouvés dans le système ou trop d'appareils ont été trouvés.	Le système n'est pas correctement configuré. Reconfigurer le système. Erreur du câble de communication. Vérifier les câbles, arrêter tous les appareils et les redémarrer.
4	Pas d'autre appareil détecté.	Vérifier les câbles de communication.
5	Surtension sur AC-out.	Vérifier les câbles CA.
10	La synchronisation du temps du système a rencontré un problème.	Cela ne doit pas se produire avec un appareil correctement installé. Vérifier les câbles de communication.
14	L'appareil ne peut pas transmettre de données.	Vérifier les câbles de communication (il peut exister un court-circuit).
17	L'un des appareils a pris le rôle de « maître » parce que le maître d'origine est en panne.	Vérifier l'appareil défaillant. Vérifier les câbles de communication.
18	Une surtension s'est produite.	Vérifier les câbles CA.
22	Cet appareil ne peut pas fonctionner comme « esclave ».	Cet appareil est inadapté et le modèle est obsolète. Il doit être remplacé.
24	La protection du système de transfert s'est enclenchée.	Cela ne doit pas se produire avec un appareil correctement installé. Arrêter tous les appareils, puis les redémarrer. Si le problème persiste, vérifier l'installation.
25	Incompatibilité du microprogramme (firmware). Le microprogramme de l'un des appareils connectés n'est pas suffisamment à jour pour fonctionner conjointement avec cet appareil.	1) Arrêter tous les appareils. 2) Mettre en marche l'appareil source de ce message d'erreur. 3) Mettre en marche tous les autres appareils un par un jusqu'à ce que le message d'erreur se produise à nouveau. 4) Mettre à jour le microprogramme du dernier appareil mis en marche.
26	Erreur interne.	Ne doit pas se produire. Arrêter tous les appareils, puis les redémarrer. Contacter Victron Energy si le problème persiste.

8. Spécifications techniques

MultiPlus	12/3000/120 - 16 230 V 12/3000/120 - 50 230 V	24/3000/70 - 16 230 V 24/3000/70 - 50 230 V	48/3000/35 - 16 230 V 48/3000/35 - 50 230 V
PowerControl / PowerAssist	Oui		
Entrée CA	Plage de tension d'alimentation : 187-265 V CA Fréquence d'entrée : 45 – 65 Hz		
Courant maximum commutateur de transfert (A)	16 / 50		
Capacité maximum de courant d'alimentation CA pour PowerAssist (A)	2,3 / 5,3		
CONVERTISSEUR			
Plage de tension d'entrée (V CC)	9,5 – 17	19 – 33	38 – 66
Sortie (1)	Tension de sortie : 230 V CA ±2 %		Fréquence : 50 Hz ±0,1 %
Puissance de sortie cont. à 25 °C (VA) (3)	3000	3000	3000
Puissance de sortie cont. à 25 °C (W)	2500	2500	2500
Puissance de sortie cont. à 40 °C (W)	2000	2000	2000
Puissance de pointe (W)	6000	6000	6000
Efficacité maximale (%)	93	94	95
Puissance de charge zéro (W)	15	15	16
Puissance de charge zéro en mode AES (W)	10	10	12
Puissance de charge zéro en mode recherche (W)	4	5	5
CHARGEUR			
Entrée CA	Plage de tension d'alimentation : 187-265 V CA Fréquence d'entrée : 45 – 55 Hz Facteur de puissance : 1		
Tension de charge 'absorption' (V CC)	14,4	28,8	57,6
Tension de charge 'float' (V CC)	13,8	27,6	55,2
Mode veille (V CC)	13,2	26,4	52,8
Courant de charge batterie maison (A) (4)	120	70	35
Courant de charge batterie démarrage (A)	4		
Sonde de température de batterie	Oui		
GÉNÉRAL			
Sortie auxiliaire	Max. 16 A Interrupteurs éteints quand une source CA n'est pas disponible		
Relais multifonction (5)	Oui		
Protection (2)	a - g		
Caractéristiques communes	Température de fonctionnement : -20 à +50 °C (refroidissement par ventilateur) Humidité (sans condensation) : maxi 95 %		
BOÎTIER			
Caractéristiques communes	Matériau et couleur : aluminium (bleu RAL 5012) Niveau de Protection : IP 21		
Raccordement batterie	boulons M8 (2 connexions positives et 2 connexions négatives)		
Connexions 230 V CA	Bornes à vis		
Poids (kg)	19		
Dimensions (HxLxP en mm)	362 x 258 x 218		
NORMES			
Sécurité	EN 60335-1, EN 60335-2-29		
Émission/Immunité	EN55014-1, EN 55014-2, EN 61000-3-3		
Directive sur l'automobile	2004/104/EC		

1) Peut être ajusté à 60 Hz, 120 V 60 Hz sur demande

Protection

- a. Court-circuit en sortie
- b. Surcharge
- c. Tension de batterie trop élevée
- c. Tension de batterie trop faible
- e. Température trop élevée
- f. 230 V CA sur la sortie du convertisseur
- g. Ondulation de tension d'entrée trop élevée

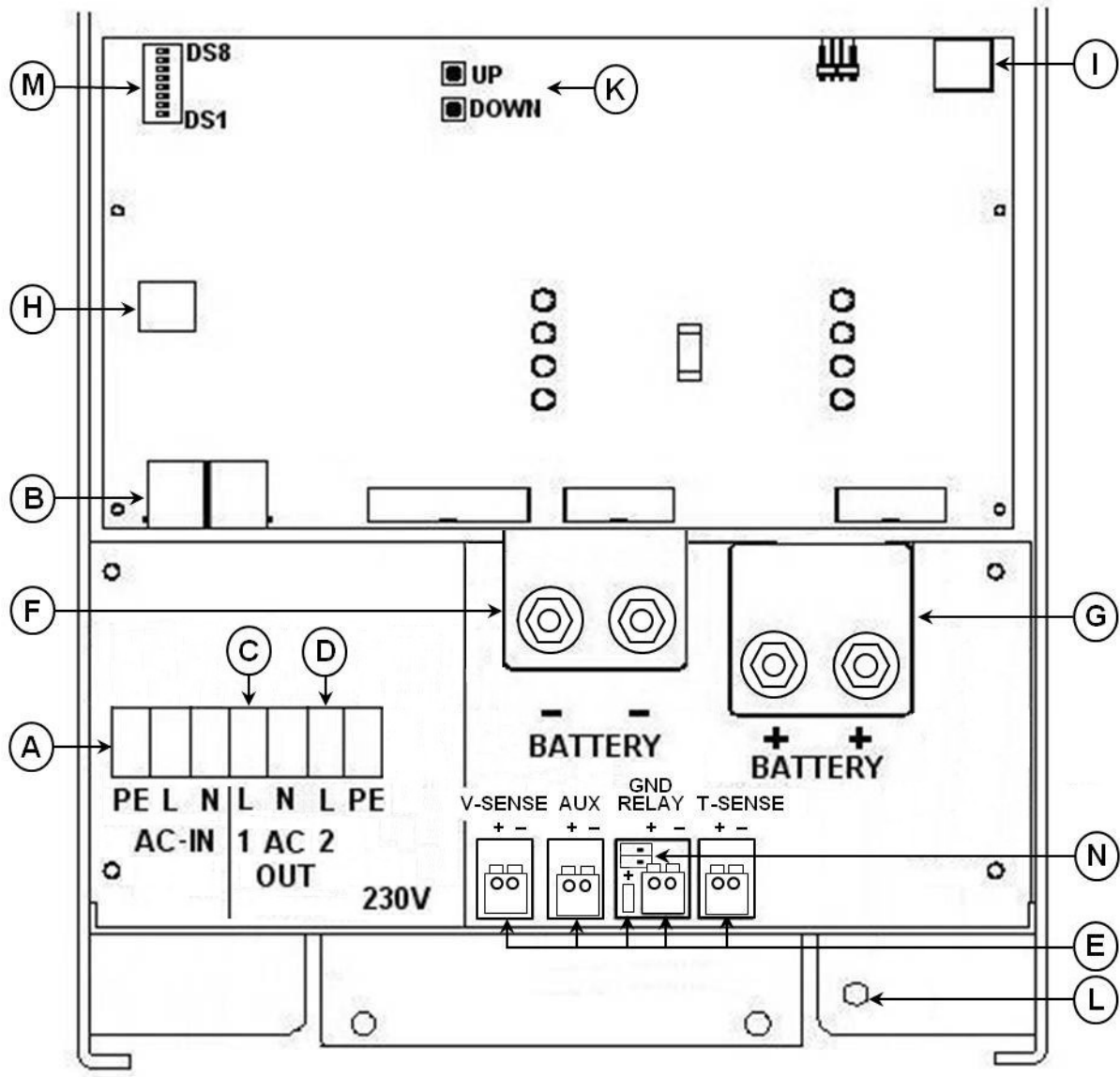
3) Charge non linéaire, facteur de crête 3:1

4) À 25 °C ambiant

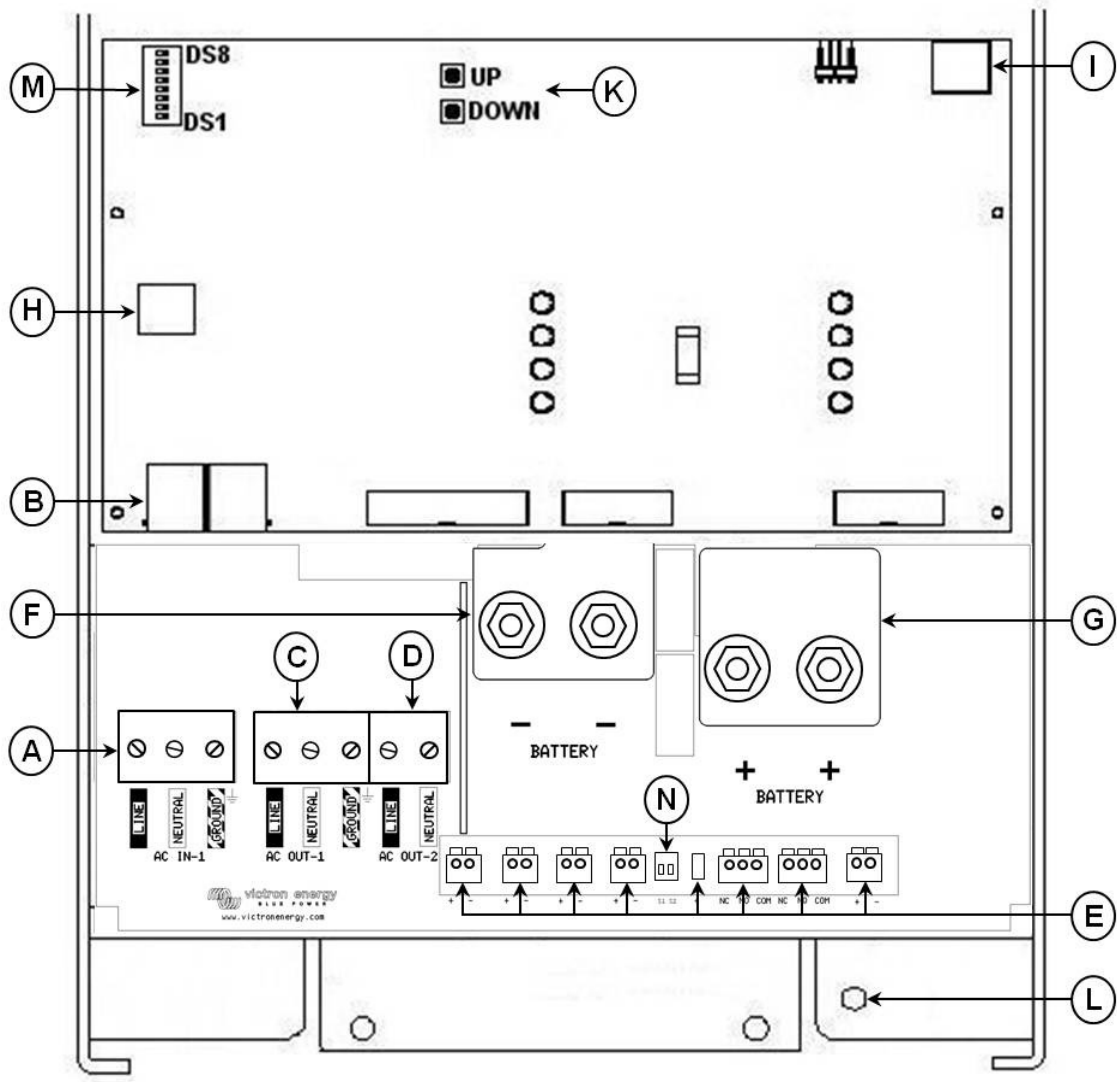
5) Relais multifonction qui peut être configuré comme alarme générale, sous-tension CC ou comme fonction de signal du démarrage du genset

APPENDIX A: Overview connections

Models with **16A** transfer capacity (eg MultiPlus 12/3000/120-**16** 230V)



Models with **50A** transfer capacity (eg MultiPlus 12/3000/120-**50** 230V)



EN:

A	AC input 16A . Left to right: PE (earth/ground), L (phase), N (neutral). AC input 50A . Left to right: L (phase), N (neutral), PE (earth/ground).
B	2x RJ45 connector for remote control and/or parallel / three-phase operation
C	Load connection. AC out1. Left to right: L (phase), N (neutral), PE (earth/ground).
D	Load connection. AC out2. 16A Left to right: N (neutral), L (phase), PE (earth/ground). 50A Left to right: PE (earth/ground), L (phase), N (neutral).
E	Terminals for 16A : (left to right) Voltage sense Aux input 1 Starter battery plus + (starter battery minus must be connected to service battery minus) GND-relay Temperature sensor Terminals for 50A : (left to right) Temperature sensor Aux input 1 Aux input 2 GND-relay Starter battery plus + (starter battery minus must be connected to service battery minus) Programmable relay contacts K1 Programmable relay contacts K2 Voltage sense
F	Double M8 battery minus connection.
G	Double M8 battery positive connection.
H	Connector for remote switch: Short left and middle terminal to switch "on". Short right and middle terminal to switch to "charger only".
I	Alarm contact: (left to right) NC, NO, COM.
K	Pushbuttons for set-up mode.
L	Primary ground connection M8 (PE).
M	Dipswitches DS1- DS8 for set-up mode.
N	Slide switches, factory setting 16A : SW1= right (off) position, SW2 = right (off) position. SW1: No application. To be used for future features. SW2: INT(R) = internal GND relay selected, EXT(L) = external GND relay selected (to connect ext GND relay: see E). Slide switches, factory setting 50A : SW1= down (off) position, SW2 = down (off) position. SW1: down (off) = internal GND relay selected, up (on) = external GND relay selected (to connect ext GND relay: see E). SW2: No application. To be used for future features.

NL:

A	Wisselspanning ingang AC-in 16A . Van links naar rechts: PE (aarde), L (fase), N (nul). Wisselspanning ingang AC-in 50A : Van links naar rechts: L (fase), N (nul), GROUND (aarde).
B	2x RJ45 connector voor afstandbedieningspaneel en/of parallel en 3-fase bedrijf.
C	Wisselspanning uitgang AC-out-1. Van links naar rechts: L (fase), N (nul), PE (aarde).
D	Wisselspanning uitgang AC-out-2 16A . Van links naar rechts: N (nul), L (fase), PE (aarde). Wisselspanning uitgang AC-out-2 50A . Van links naar rechts: PE (aarde), L (fase), N (nul).
E	Aansluitklemmen voor 16A : (van links naar rechts) Voltage sense Aux ingang 1 Start accu plus + (de min van start accu moet verbonden zijn met de min van de service accu) GND-relais Temperature sensor Aansluitklemmen voor 50A : (van links naar rechts) Temperature sensor Aux ingang 1 Aux ingang 2 GND-relais Start accu plus + (de min van start accu moet verbonden zijn met de min van de service accu) Relais contacten K1 Relais contacten K2 Voltage sense
F	Dubbele M8 accu min aansluiting.
G	Dubbele M8 accu plus aansluiting.
H	Aansluitklemmen voor afstandbedieningsschakelaar. Verbind de linker klem en de middelste klem om de MultiPlus aan te schakelen. Verbind de rechter klem en de middelste klem voor 'alleen laden'.
I	Alarm contact: (van links naar rechts) NC, NO, COM.

K	Drukknoppen om de instellingen in het microprocessor geheugen op te slaan.
L	Primaire aarde M8.
M	Instel DIP switches DS1 tm DS8.
N	Schuifschakelaars, fabrieksinstelling 16A : SW1= rechter (uit) stand, SW2 = rechter (uit) stand SW1: Niet in gebruik. Toepasbaar in de toekomst. SW2: INT(naar rechts) = intern GND-relais geselecteerd, EXT(naar links) = extern GND-relais geselecteerd (relais aan te sluiten via klemmen, zie E). Schuifschakelaars, fabrieksinstelling 50A : SW1= beneden (uit) stand, SW2 = beneden (uit) stand SW1: INT(naar beneden) = intern GND-relais geselecteerd, EXT(naar boven) = extern GND-relais geselecteerd (relais aan te sluiten via klemmen, zie E). SW2: Niet in gebruik. Toepasbaar in de toekomst.

FR :

A	Alimentation du quai 16A . Entrée CA. De gauche à droite : PE (terre), L (phase), N (neutre). Alimentation du quai 50A . Entrée CA. De gauche à droite : L (phase), N (neutre), PE (terre).
B	2 connecteurs RJ45 pour commande a distance et/ou fonctionnement en parallèle / triphasé
C	Connexion de la charge. AC out1. De gauche à droite: L (phase), N (neutre), PE (terre).
D	Connexion de la charge. AC out2 16A : De gauche à droite) N (neutre), L (phase), PE (terre). Connexion de la charge. AC out2 50A : De gauche à droite) PE (terre), L (phase), N (neutre).
E	Bornes pour 16A : (de gauche à droite) Sonde de tension Aux input 1 Batterie de démarrage + (le pôle négatif de la batterie de démarrage doit être connecté au pôle négatif de la batterie de service) Relais de mise à terre Capteur de température Bornes pour 50A : (de gauche à droite) Capteur de température Aux input 1 Aux input 2 Relais de mise à terre Batterie de démarrage + (le pôle négatif de la batterie de démarrage doit être connecté au pôle négatif de la batterie de service) Contacts relais programmable K1 Contacts relais programmable K2 Sonde de tension
F	Double connexion négatif de batterie M8.
G	Double connexion positive de batterie M8.
H	Connexions pour interrupteur à distance: À gauche au milieu, borne pour basculer le Multi en position « on », À droite et au milieu, borne pour basculer le Multi en « charger only ».
I	Contact alarme: (de gauche à droite) NC, NO, COM.
K	Boutons-poussoirs. Mode paramétrage
L	Connexion M8 primaire à la terre (PE)
M	Interrupteurs DIP DS1 – DS8. Mode paramétrage.
N	Interrupteur à glissière, configuration d'usine 16A : SW1= position droite (éteint), SW2 = position droite (éteint). SW1 : Pas d'application. À utiliser pour de futures fonctions. SW2 : INT(droite) = relais de terre interne sélectionné, EXT (gauche) = relais de terre externe sélectionné. (Pour connecter le relais de terre externe : voir E). Interrupteur à glissière, configuration d'usine 50A : SW1= position en bas (off), SW2 = position en bas (off). SW1 : INT(abaissé) = relais de terre interne sélectionné, EXT (en haute) = relais de terre externe sélectionné. (Pour connecter le relais de terre externe : voir E). SW2 : Pas d'application. À utiliser pour de futures fonctions.



victron energy

DE:

A	Wechselstrom-Eingang 16A . Von links nach rechts: PE (Erde), L (Phase), N (Null). Wechselstrom-Eingang 50A . Von links nach rechts: L (Phase), N (Null), PE (Erde).
B	2x RJ45 Anschluss für Fernbedienung und/oder Parallel und 3-Phasenbetrieb.
C	Wechselstrom-Ausgang AC-out-1. Von links nach rechts: L(Phase), N (Null), PE (Erde).
D	Wechselstrom-Ausgang AC-out-2. 16A von links nach rechts: N (Null), L(Phase), PE (Erde). 50A von links nach rechts: PE (Erde), L(Phase), N (Null).
E	Anschlüsse für 16A : (links nach rechts) Spannungsfühler Aux input 1 Starter-Batterie Plus+ (Starterbatterie-Minuspol muss an den Minuspol der Service-Batterie angeschlossen sein) Erdungsrelais Temperaturfühler Anschlüsse für 50A : (links nach rechts) Temperaturfühler Aux input 1 Aux input 2 Erdungsrelais Starter-Batterie Plus+ (Starterbatterie-Minuspol muss an den Minuspol der Service-Batterie angeschlossen sein) Programmierbare Relais-Kontakte K1 Programmierbare Relais-Kontakte K2 Spannungsfühler
F	Doppelter M8 Minus Anschluss der Batterie.
G	Doppelter M8 Plus Anschluss der Batterie.
H	Stecker für Fernbedienungsschalter: Kurze linke und mittlere Anschlussklemme, um auf "on" (an) zu schalten. Kurze rechte und mittlere Anschlussklemme, um auf "charger only" (nur Ladegerät) zu schalten
I	Alarm-Kontakt: (links nach rechts) NC, NO, COM.
K	Taster für Einstellungsmodus
L	Primäre Erdung M8 (PE).
M	DIP-Schalter DS1 bis DS8 für Einstellungsmodus.
N	Schiebeschalter, werkseitige Einstellung 16A : SW1 = rechter stellung, SW2 = rechter stellung. SW1: Keine Anwendung. Für künftige Funktionalitäten ausgelegt. SW2: INT(R) = ausgewähltes internes Erdungsrelais, EXT(L) = ausgewähltes externes Erdungsrelais (um ein externes Erdungsrelais anzuschließen: siehe E). Schiebeschalter, werkseitige Einstellung 50A : SW1 = unten (aus) stellung, SW2 = unten (aus) stellung. SW1: INT(unten) = ausgewähltes internes Erdungsrelais, EXT(oben) = ausgewähltes externes Erdungsrelais (um ein externes Erdungsrelais anzuschließen: siehe E) SW2: Keine Anwendung. Für künftige Funktionalitäten ausgelegt

ES:

A	Corriente de pantalán. Entrada CA 16A (de derecha a izquierda): PE (tierra), L (fase), N (neutro). Corriente de pantalán. Entrada CA 50A (de derecha a izquierda): L (fase), N (neutro), PE (tierra).
B	2 conectores RJ45 para panel remoto y/o funcionamiento en paralelo o trifásico.
C	Conexión de la carga. Salida CA 1: (de derecha a izquierda) L (fase), N (neutro), PE (tierra).
D	Conexión de la carga. Salida CA 2. 16A (de derecha a izquierda): N (neutro), L (fase), PE (tierra). 50A (de derecha a izquierda): PE (tierra), L (fase), N (neutro).
E	Terminales para 16A : (de derecha a izquierda) Sensor de tensión Aux input 1 Batería de arranque + (el negativo de la batería de arranque debe conectarse al negativo de la batería de servicio) Relé de puesta a tierra Sensor de temperature Terminales para 50A : (de derecha a izquierda) Sensor de temperature Aux input 1 Aux input 2 Relé de puesta a tierra Batería de arranque + (el negativo de la batería de arranque debe conectarse al negativo de la batería de servicio) Contactos del relé programable K1 Contactos del relé programable K2 Sensor de tensión
F	Conexión del negativo de la batería por medio de M8 doble.
G	Conexión del positivo de la batería por medio de M8 doble.
H	Conector para conmutador remoto: Terminal izquierdo corto y medio para "on" (encender). Terminal derecho corto y medio para conmutar a "charger only" (sólo cargador).

I	Contacto de la alarma: (de izquierda a derecha) NC, NO, COM.
K	Pulsadores para modo configuración.
L	Conexión a tierra primaria (PE).
M	Conmutares DIP DS1-DS8 para modo configuración.
N	<p>Interruptores deslizantes, configuración de fábrica 16A: SW1 = posición derecha (apagado), SW2 = posición derecha (apagado). SW1: Sin función. Para su uso en funciones futuras. SW2: INT(R) = relé de puesta a tierra interno seleccionado, EXT(L) = relé de puesta a tierra externo seleccionado (para conectar un relé GND ext: ver E).</p> <p>Interruptores deslizantes, configuración de fábrica 50A: SW1 = posición hacia abajo (off), SW2 = posición hacia abajo (off). SW1: INT(abajo) = relé de puesta a tierra interno seleccionado, EXT(arriba) = relé de puesta a tierra externo seleccionado (para conectar un relé de puesta a tierra ext: ver E). SW2: Sin función. Para su uso en funciones futuras.</p>

SE:

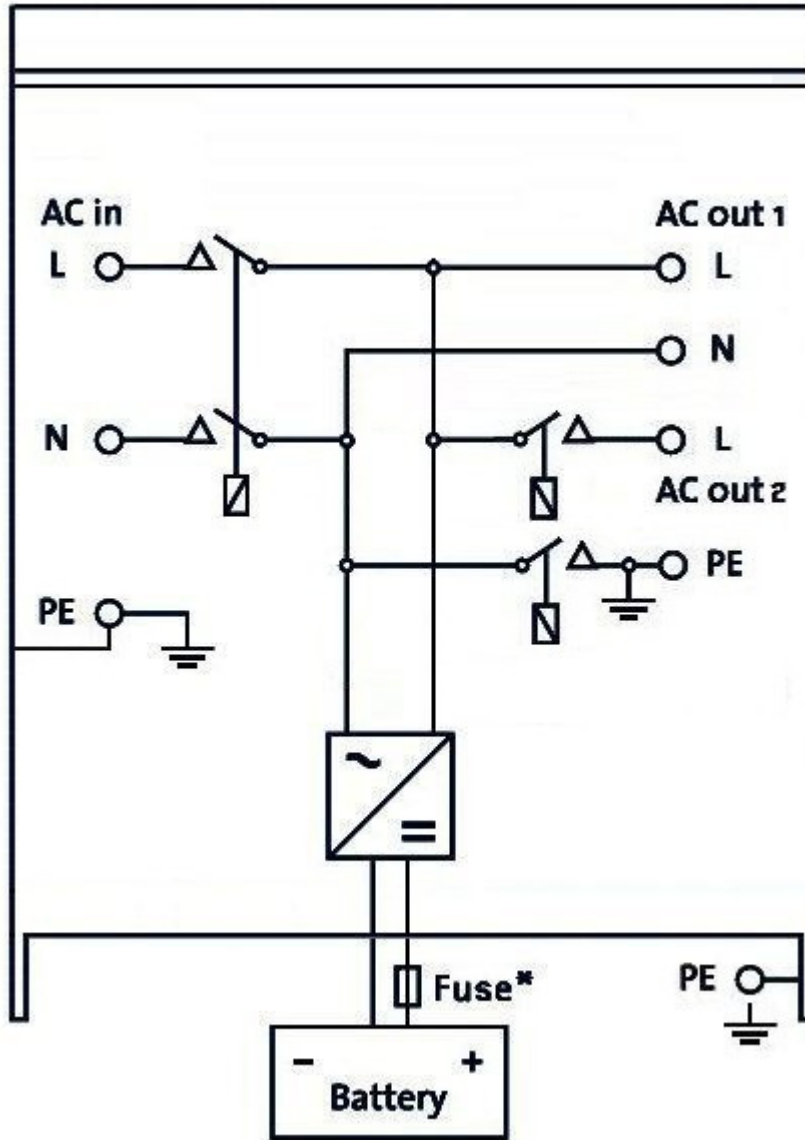
A	AC-inmatning 16A (vänster till höger): PE (jord), L (fas), N (neutral). AC-inmatning 50A (vänster till höger): L (fas), N (neutral), PE (jord).
B	2x RJ45-anslutningsdon för fjärrkontroll och/eller parallell- / trefasdrift
C	Belastningsanslutning. AC out1: (vänster till höger) L (fas), N (neutral), PE (jord).
D	Belastningsanslutning. AC out2: 16A (vänster till höger): N (neutral), L (fas), PE (jord). 50A (vänster till höger): PE (jord), L (fas), N (neutral).
E	<p>Poler för 16A: (vänster till höger) Voltage sense Aux input 1 Starter battery plus + (startbatteriets minuspol måste kopplas till servicebatteriets minuspol) GND-relay Temperature sensor</p> <p>Poler för 50A: (vänster till höger) Temperature sensor Aux input 1 Aux input 2 GND-relay Starter battery plus + (startbatteriets minuspol måste kopplas till servicebatteriets minuspol) Programmerbara reläkontakter K1 Programmerbara reläkontakter K2 Voltage sense</p>
F	Dubbelt M8 batteri minusanslutning
G	Dubbelt M8 batteri plusanslutning
H	Anslutningsdon för fjärrswitch: Kortslut den vänstra och mittersta polen för att växla till "on"(på) Kortslut den högra och mittersta polen för att växla till "charger only"(endast laddning).
I	Larmkontakt: (vänster till höger) NC, NO, COM.
K	Tryckknappar för inställningsläge.
L	Primär jordanslutning (PE).
M	Dipswitchar DS1- DS8 för inställningsläge.
N	<p>Glidkontakt, fabriksinställning 16A: SW1= höger (av) position, SW2 = höger (av) position. SW1: Ej tillämplig. Att användas för framtida funktioner. SW2: INT(höger) = internt GND-relä valt, EXT(vänster) = externt GND-relä valt (för att ansluta ext. GND-relä: se E).</p> <p>Glidkontakt, fabriksinställning 50A: SW1= ned (av) position, SW2 = ned (av) position. SW1: INT(nedre/av) = internt GND-relä valt, EXT(övre/på) = externt GND-relä valt (för att ansluta ext. GND-relä: se E). SW2: Ej tillämplig. Att användas för framtida funktioner.</p>



victron energy

APPENDIX B: Block diagram

Models with **16A** transfer capacity (eg MultiPlus 12/3000/120-**16** 230V)



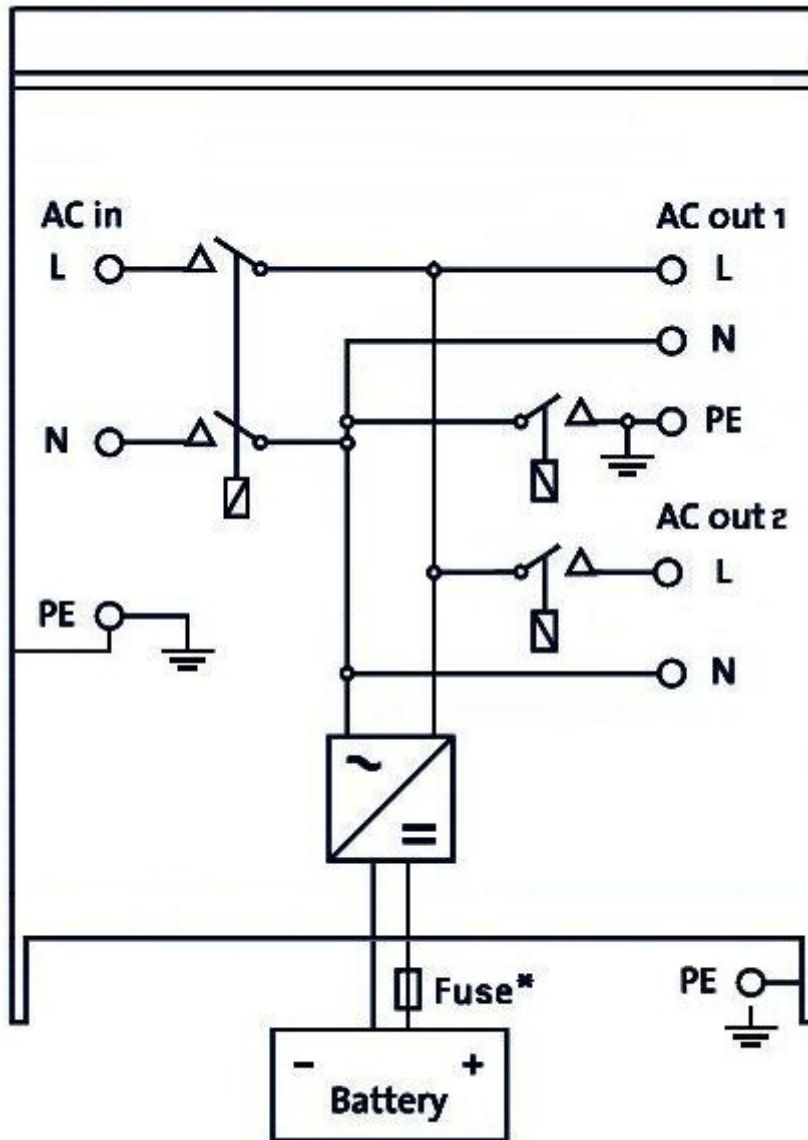
* See table in Chapter 4.2 "Recommended DC fuse".

* Zie de tabel in Hst 4.2 "Aanbevolen DC zekering".

* Voir le tableau du Chapitre 4.2 « Fusible CC recommandé ».

* Ver tabla en Capítulo 4.2 "Fusible CC recomendado".

Models with **50A** transfer capacity (eg MultiPlus 12/3000/120-**50** 230V)



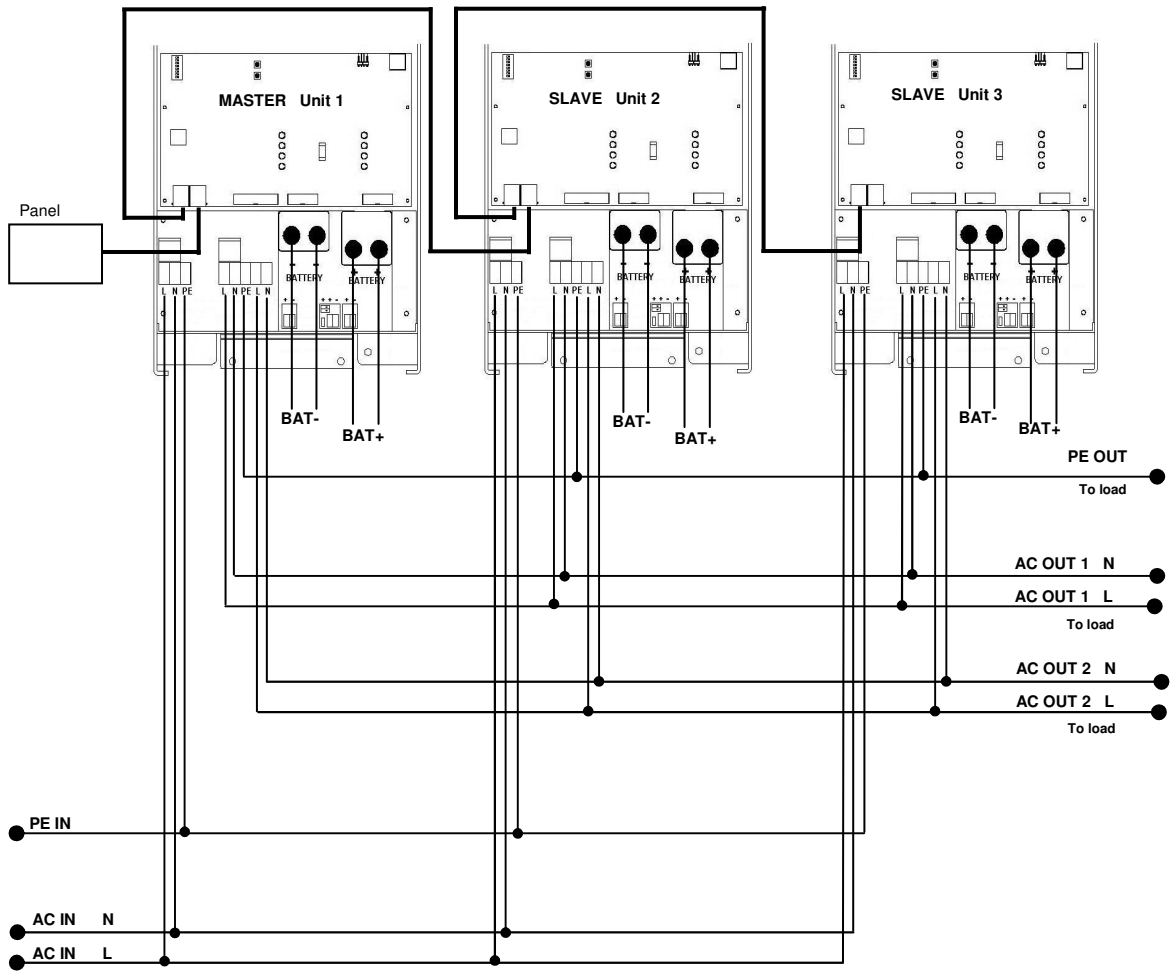
* See table in Chapter 4.2 "Recommended DC fuse".

* Zie de tabel in Hst 4.2 "Aanbevolen DC zekering"

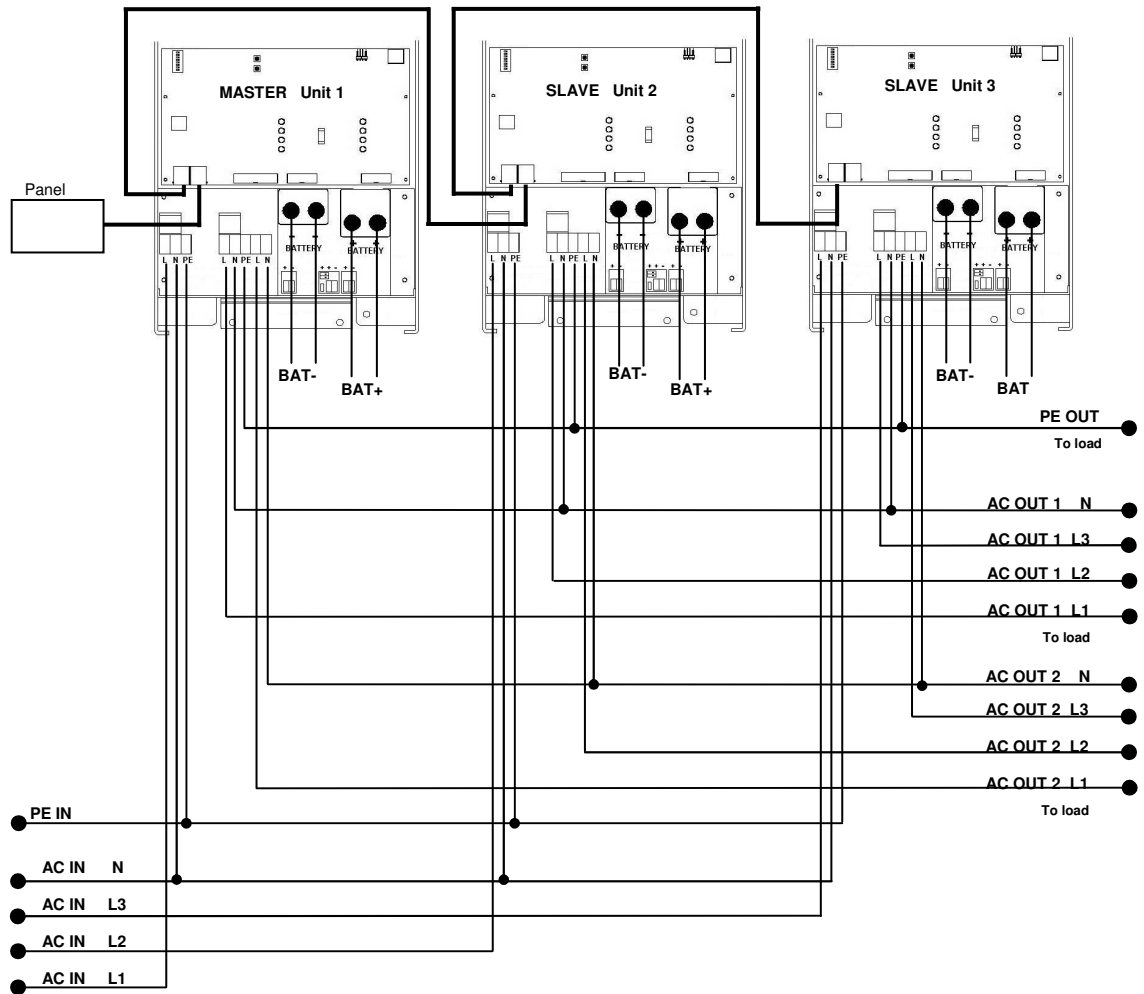
* Voir le tableau du Chapitre 4.2 « Fusible CC recommandé ».

* Ver tabla en Capítulo 4.2 "Fusible CC recomendado".

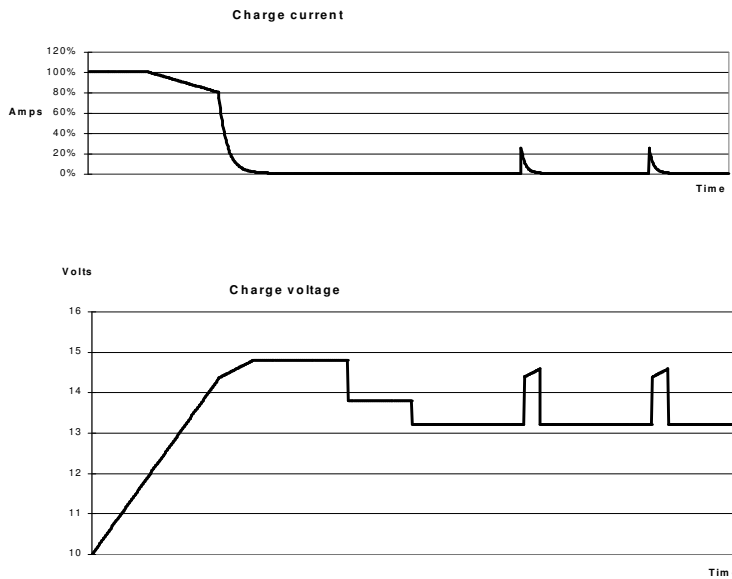
APPENDIX C: Parallelconnection



APPENDIX D: Three phase connection



APPENDIX E: Charge characteristic



4-stage charging:

Bulk

Entered when charger is started. Constant current is applied until nominal battery voltage is reached, depending on temperature and input voltage, after which constant power is applied up to the point where excessive gassing is starting (14.4V resp. 28.8V, temperature compensated).

Battery Safe

The applied voltage to the battery is raised gradually until the set Absorption voltage is reached. The Battery Safe Mode is part of the calculated absorption time.

Absorption

The absorption period is dependent on the bulk period. The maximum absorption time is the set Maximum Absorption time.

Float

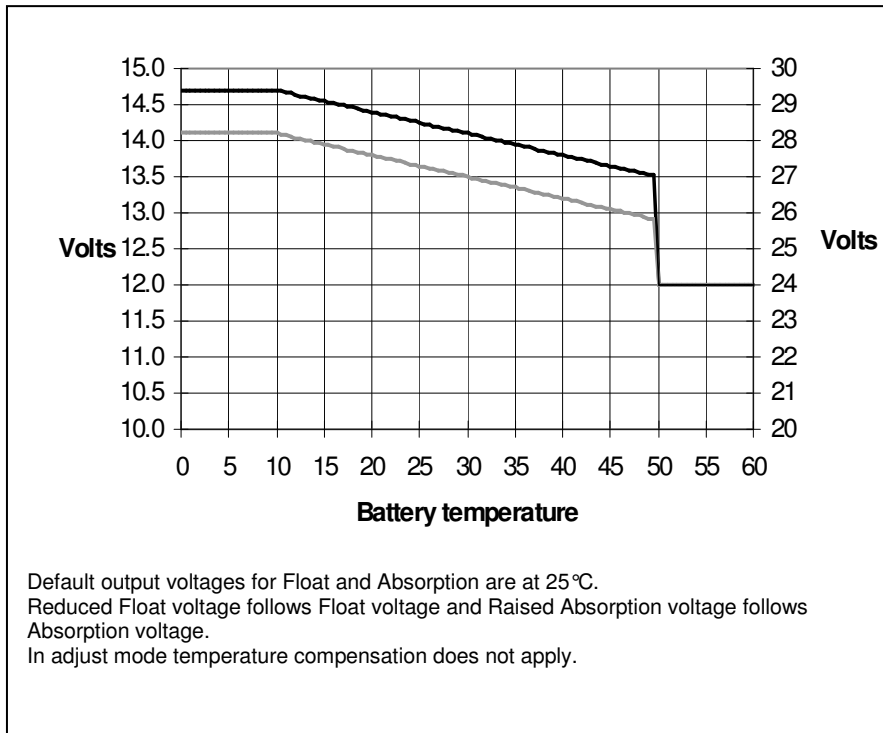
Float voltage is applied to keep the battery fully charged

Storage

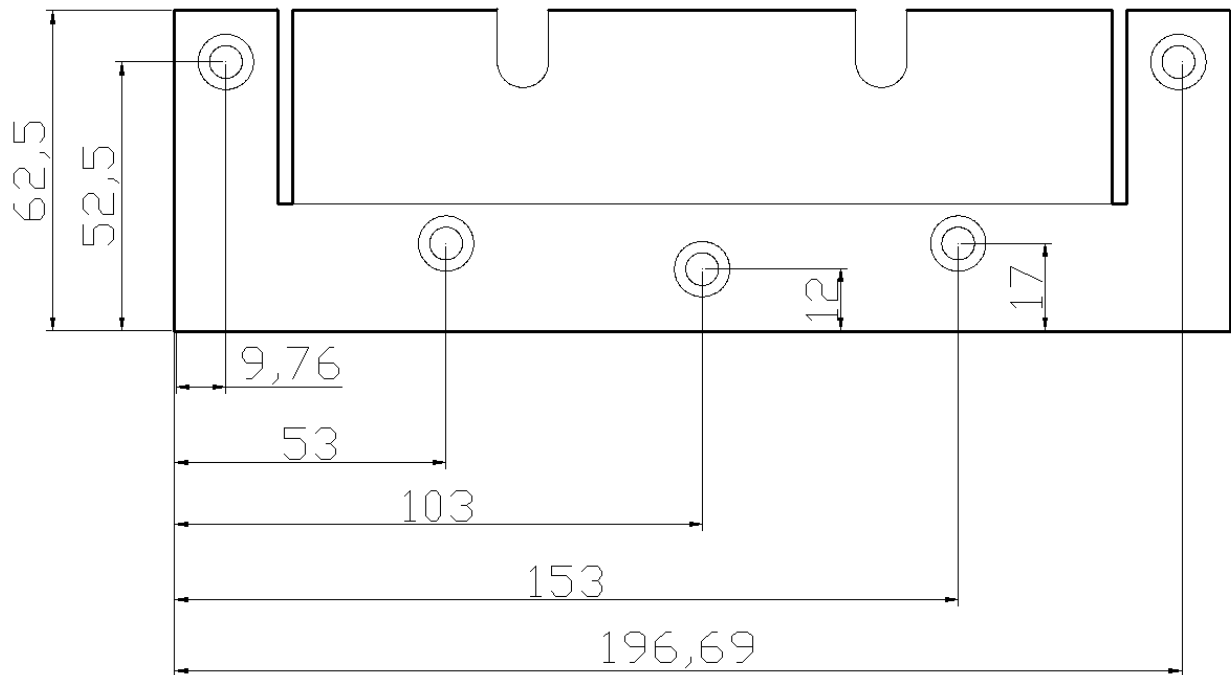
After one day of float charge the output voltage is reduced to storage level. This is 13,2V resp. 26,4V (for 12V and 24V charger). This will limit water loss to a minimum when the battery is stored for the winter season.

After an adjustable time (default = 7 days) the charger will enter Repeated Absorption-mode for an adjustable time (default = one hour) to 'refresh' the battery.

APPENDIX F: Temperature compensation



APPENDIX G: Dimensions



EN

NL

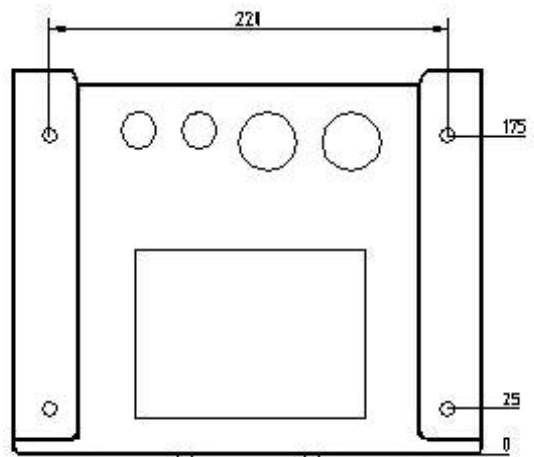
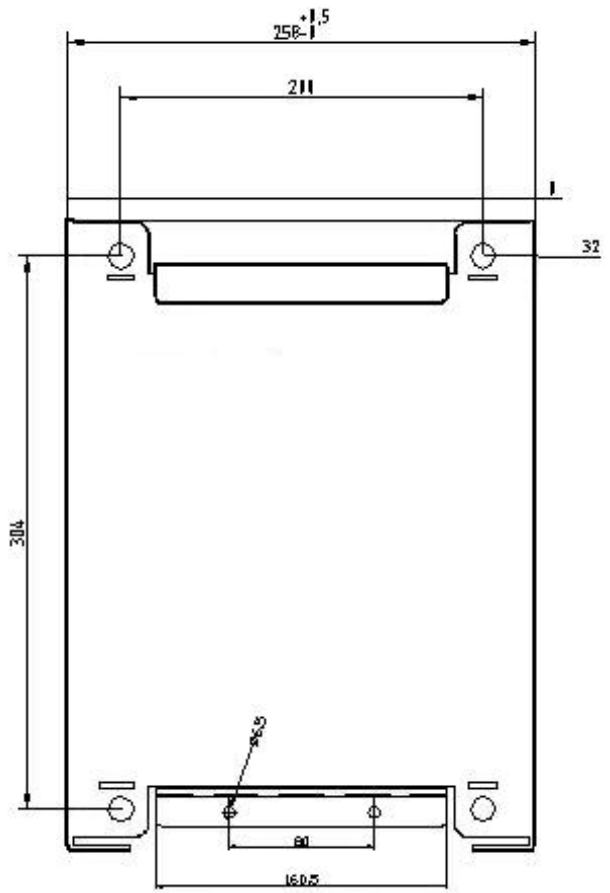
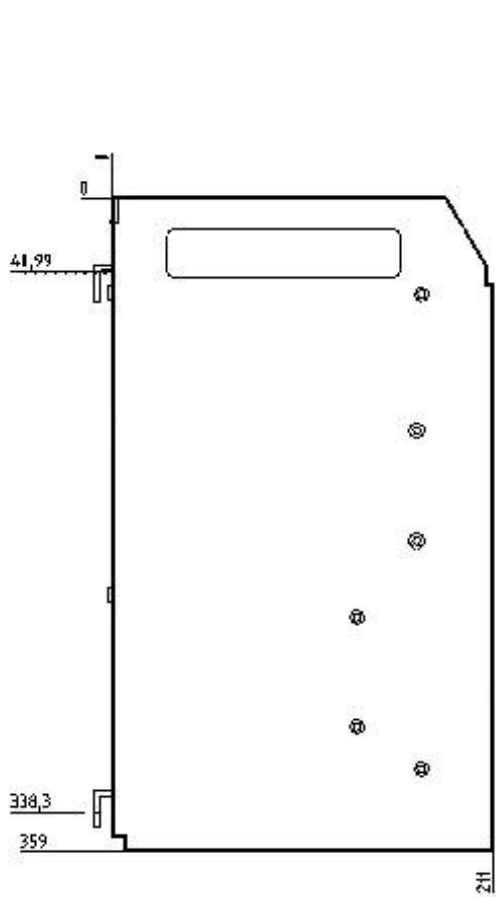
FR

DE

ES

SE

Appendix



Victron Energy Blue Power

Distributor:

Serial number:

Version : 14
Date : 11 July 2014

Victron Energy B.V.
De Paal 35 | 1351 JG Almere
PO Box 50016 | 1305 AA Almere | The Netherlands

General phone : +31 (0)36 535 97 00
Customer support desk : +31 (0)36 535 97 03
Fax : +31 (0)36 535 97 40
E-mail : sales@victronenergy.com

www.victronenergy.com